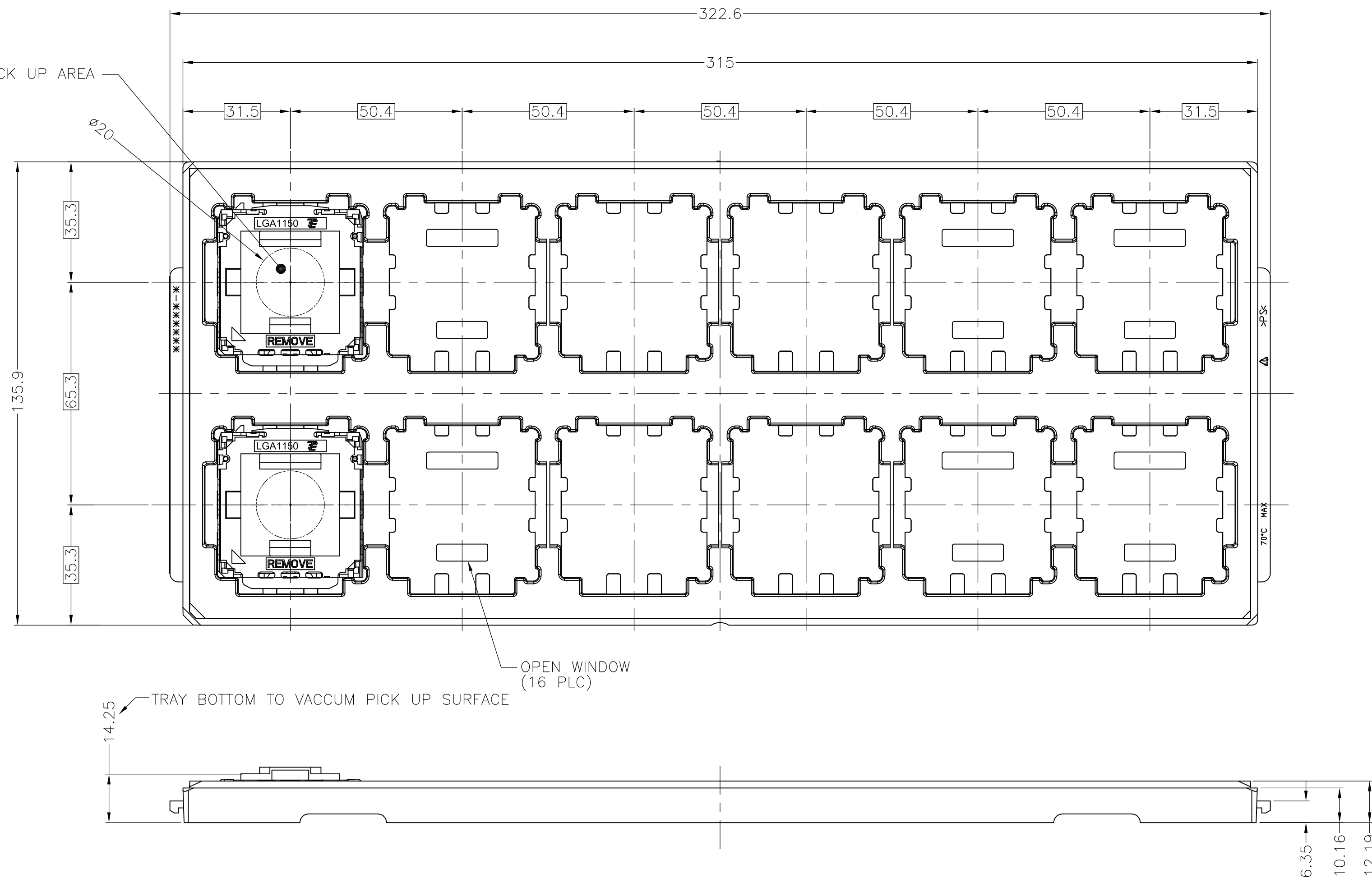


THIS DRAWING IS UNPUBLISHED. RELEASED FOR PUBLICATION MAR , 2011.
 © COPYRIGHT 2011 By Tyco Electronics Japan G.K. ALL RIGHTS RESERVED.

LOC	DIST	REVISONS		
J	-	P	LTR	DESCRIPTION
		C	REVISED	DATE DWN APVD
				08DEC2014 J.W C.W



- NOTES:
- MATERIAL
 - HOUSING : HIGH TEMP, THERMO-PLASTIC, UL94V-0, BLACK
 - CONTACT : COPPER ALLOY
FINISH : Au PL. AT CONTACT AREA ON OVERALL OVER Ni UNDER PL. 0.00127 MIN.
 - SOLDER BALL : Sn/Ag/Cu
 - CAP : HIGH TEMP. THERMO-PLASTIC, UL94V-0, BLACK
 - INDICATED DATE CODE ON THE HSG

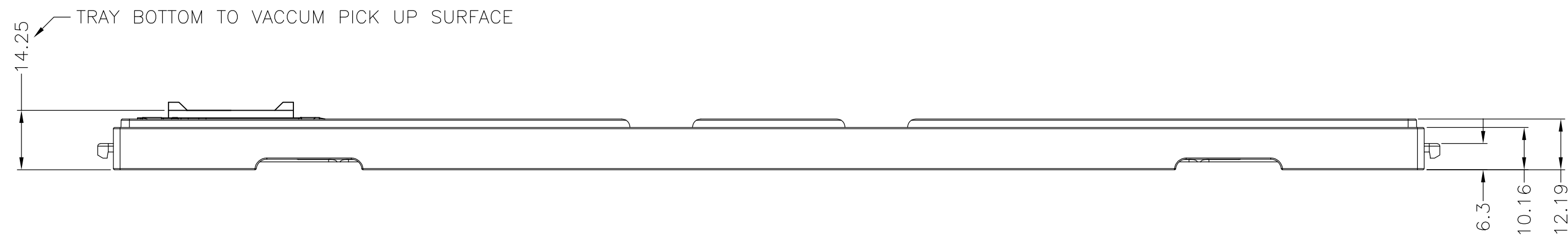
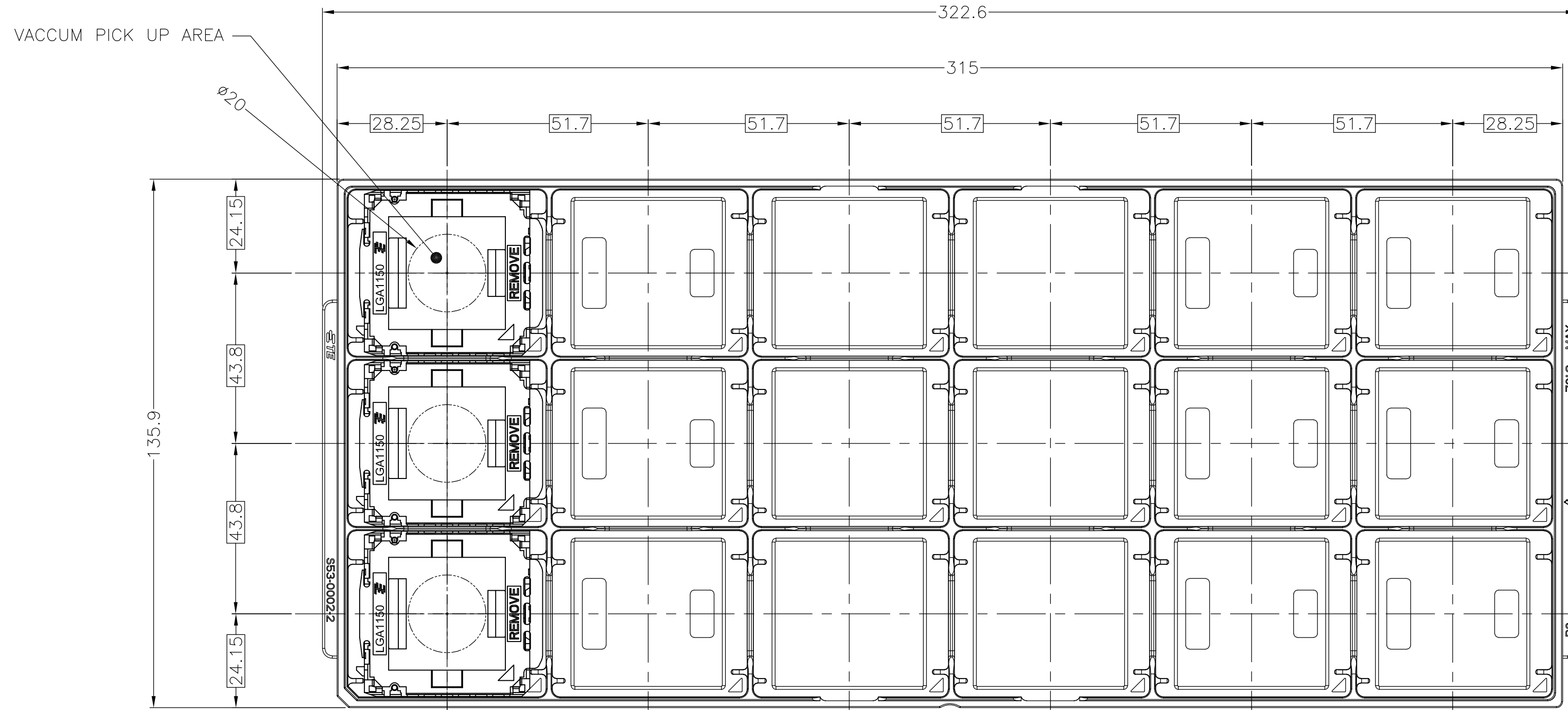
2134928-1,-2,-3: AS SHOWN

2134928-3	0.76 um MIN Au PL
2134928-2	0.10 um MIN Au PL
2134928-1	0.38 um MIN Au PL
PART NUMBER	DESCRIPTION

THIS DRAWING IS A CONTROLLED DOCUMENT.		DWN	RICK.ZHAO	04JUL2013	TE TE Connectivity
DIMENSIONS: 单位: 毫米 mm		CHK	H.TAGUCHI	04JUL2013	
TOLERANCES UNLESS OTHERWISE SPECIFIED: 一般公差		APVD	T.NAKASHIMA	07JUL2013	NAME 名称 SOCKET ASSY LGA1150
0-PLC ± ±0.5		PRODUCT SPEC	108-78586	SIZE	
1-PLC ± ±3'		APPLICATION SPEC	取付適用規格	CAGE CODE	00779
2-PLC ± ±3'		WEIGHT	9.8g	DRAWING NO 番号	C=2134928
3-PLC ± ±		CUSTOMER DRAWING		SCALE 尺度	1:1
4-PLC ± ±				SHEET	1 of 6
ANGLES ± ±				REV	C
FINISH 仕上					

THIS DRAWING IS UNPUBLISHED. RELEASED FOR PUBLICATION MAR , 2011.
 © COPYRIGHT 2011 By Tyco Electronics Japan G.K. ALL RIGHTS RESERVED.

LOC	DIST	REVISIONS					
J	-	P	LTR	DESCRIPTION	DATE	DWN	APVD
		-	-	SEE SHEET 1	-	-	-



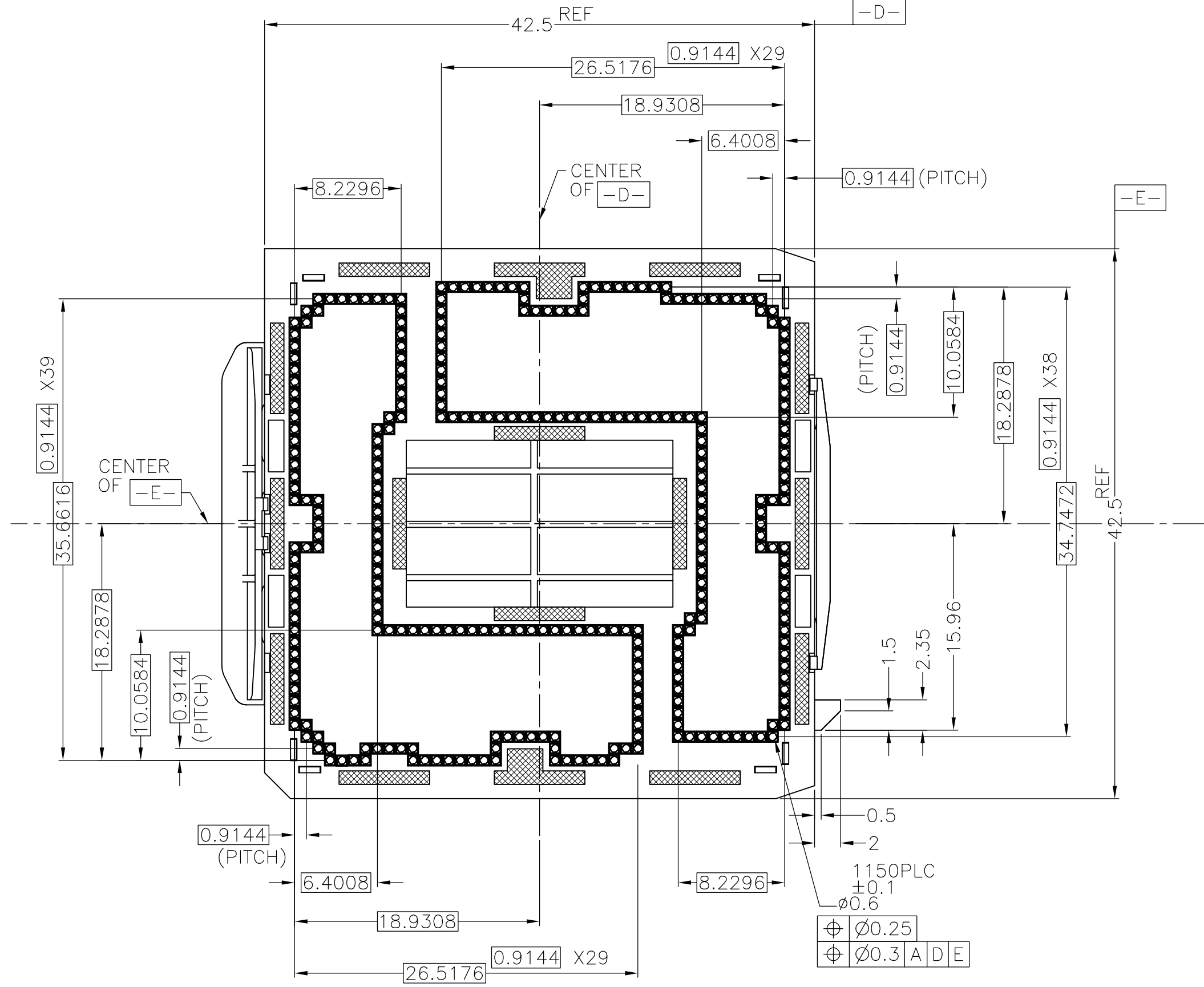
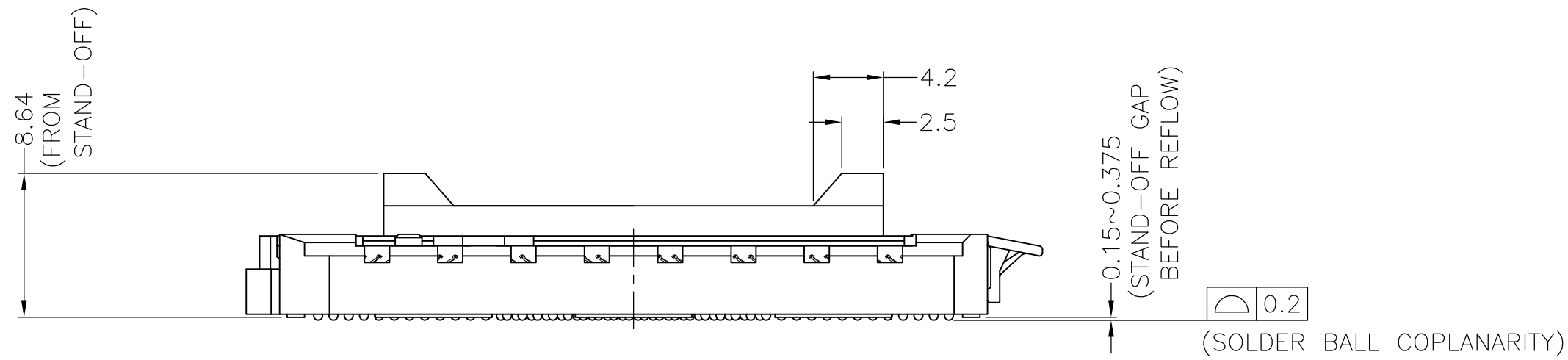
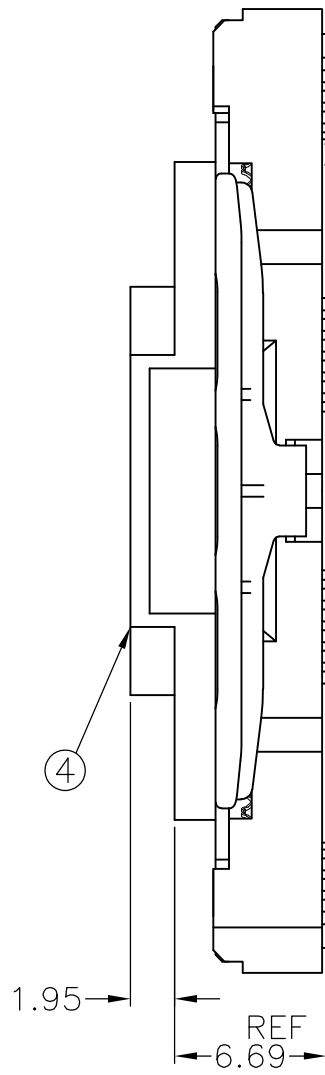
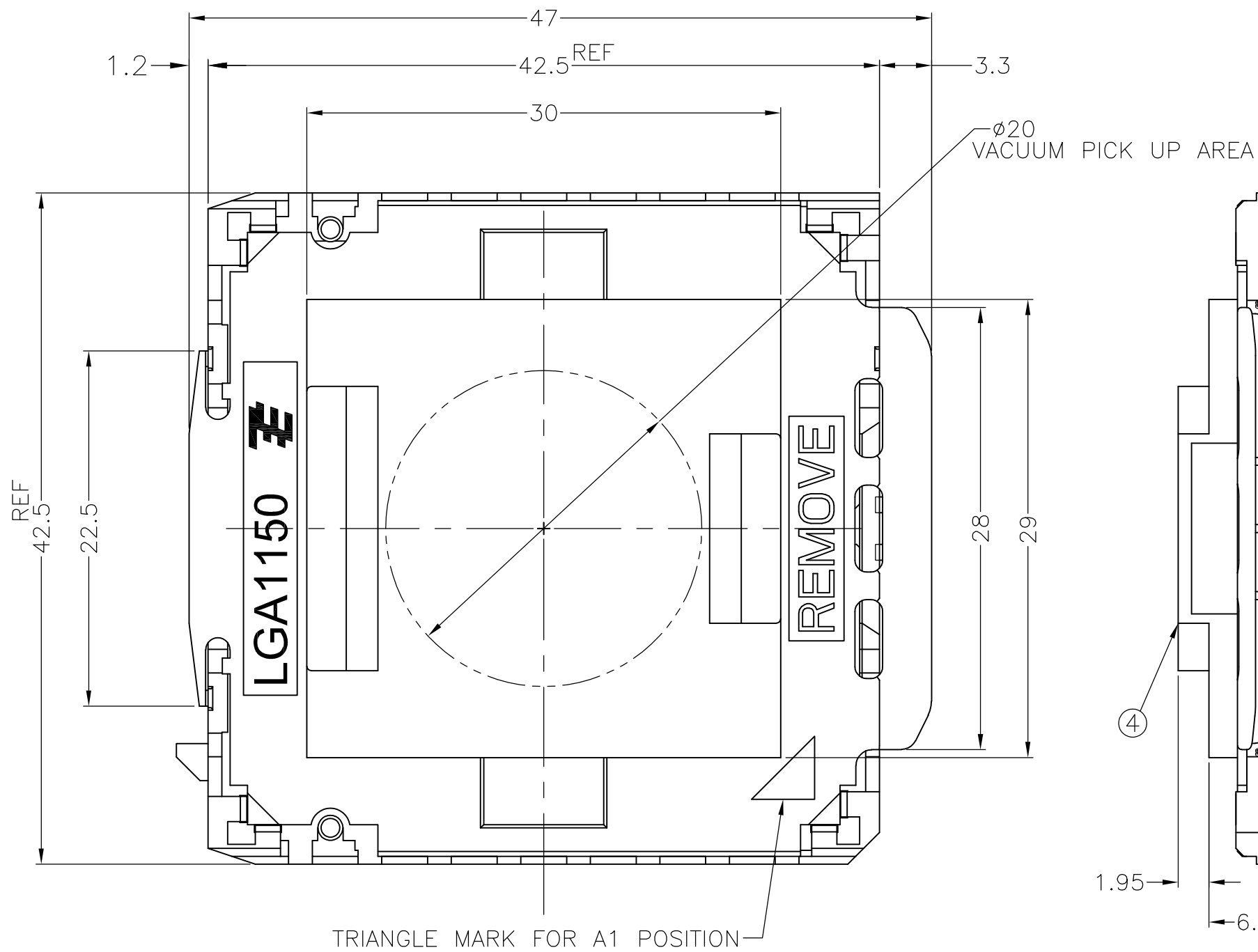
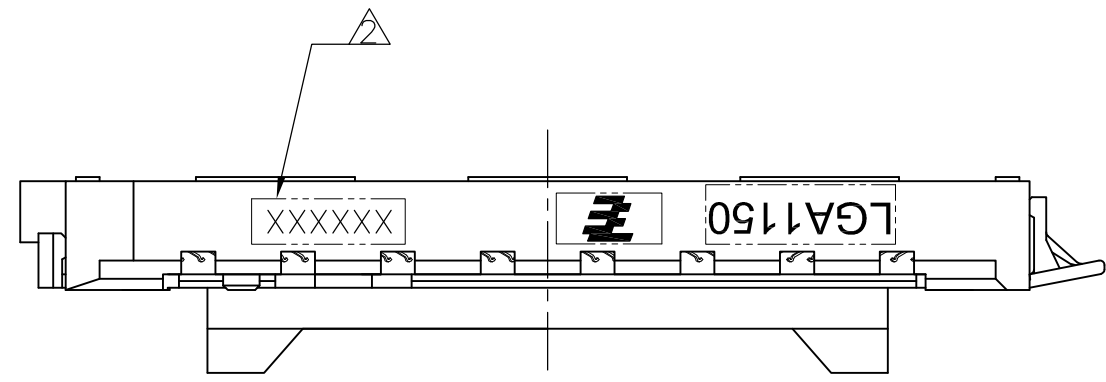
1-2134928-3	0.76 um MIN Au PL
1-2134928-2	0.10 um MIN Au PL
1-2134928-1	0.38 um MIN Au PL
PART NUMBER	DESCRIPTION

1-2134928-1,-2,-3: AS SHOWN

THIS DRAWING IS A CONTROLLED DOCUMENT.		DWN	TE Connectivity	
DIMENSIONS: 单位: 毫米 mm		CHK	NAME 名称	
TOLERANCES UNLESS OTHERWISE SPECIFIED: 一般公差		APVD	SOCKET ASSY LGA1150	
0 PLG ± ±0.5		PRODUCT SPEC 製品規格	SIZE	CAGE CODE
1 PLG ± ±0.5		APPLICATION SPEC 取付適用規格	A2	00779
2 PLG ± ±3°		WEIGHT	DRAWING NO 番号	RESTRICTED TO
3 PLG ± ±		CUSTOMER DRAWING	C=2134928	-
4 PLG ± ±		SCALE 尺度	1:1	SHEET 2 of 6
FINISH 仕上		REV	C	

THIS DRAWING IS UNPUBLISHED. RELEASED FOR PUBLICATION
 © COPYRIGHT - By Tyco Electronics Japan G.K. ALL RIGHTS RESERVED.

LOC		DIST		REVISIONS			
P	LTR	DESCRIPTION		DATE	DWN	APVD	
-	-	SEE SHEET 1		-	-	-	

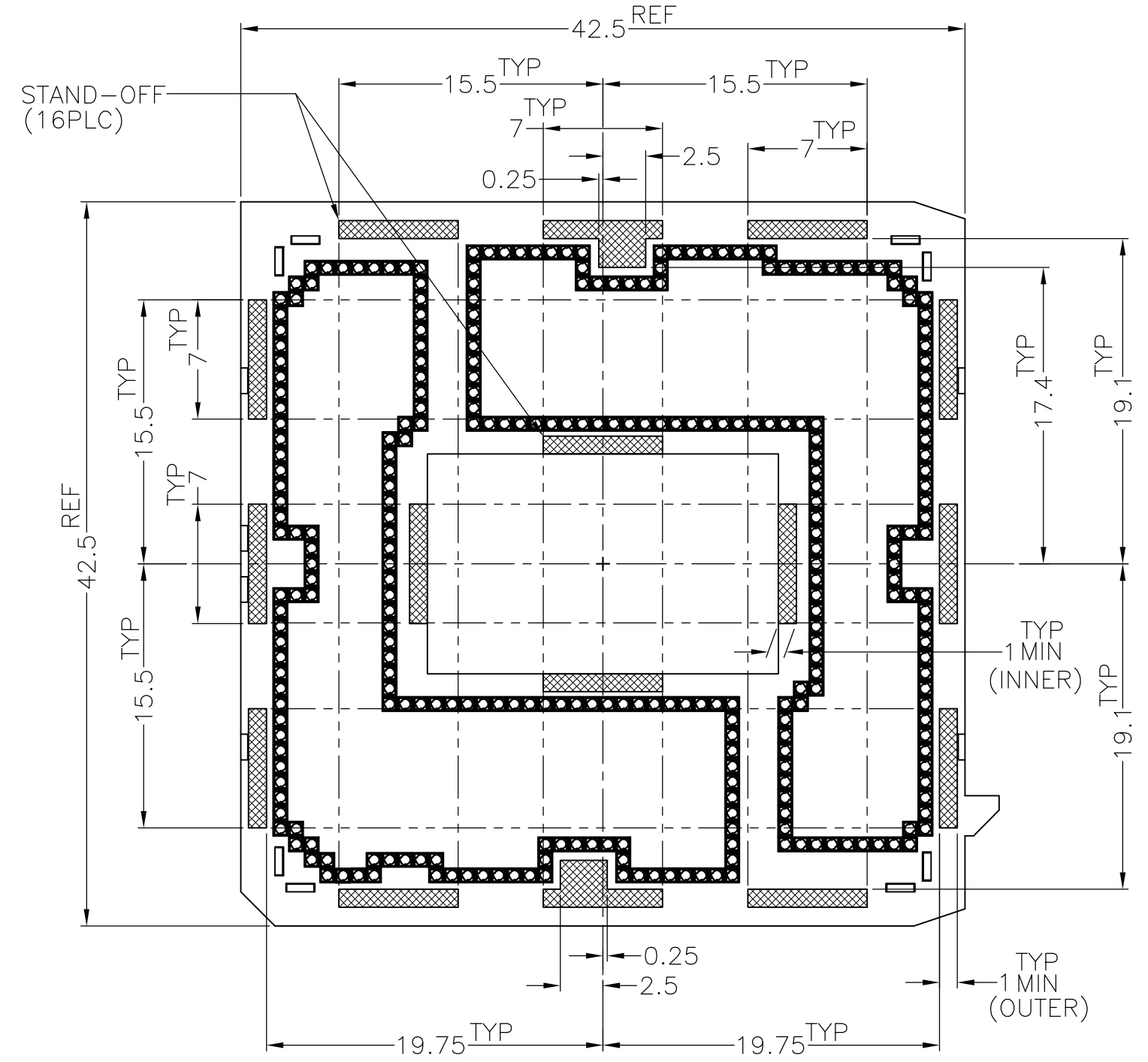
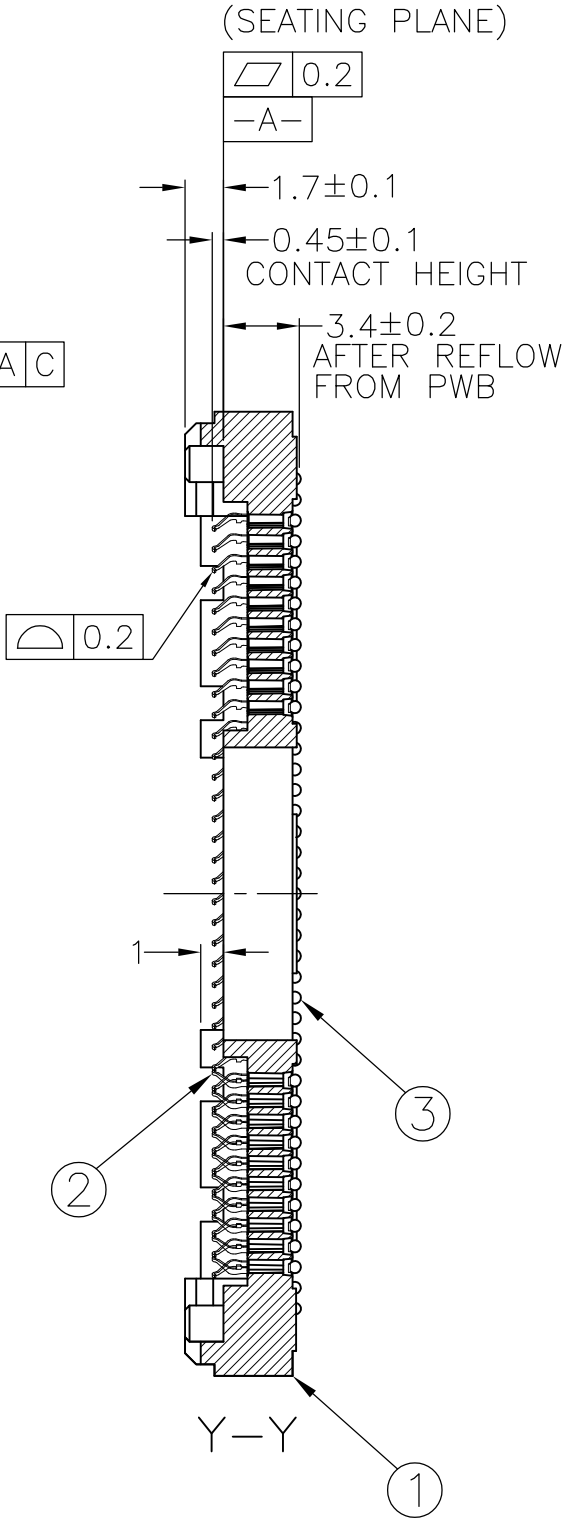
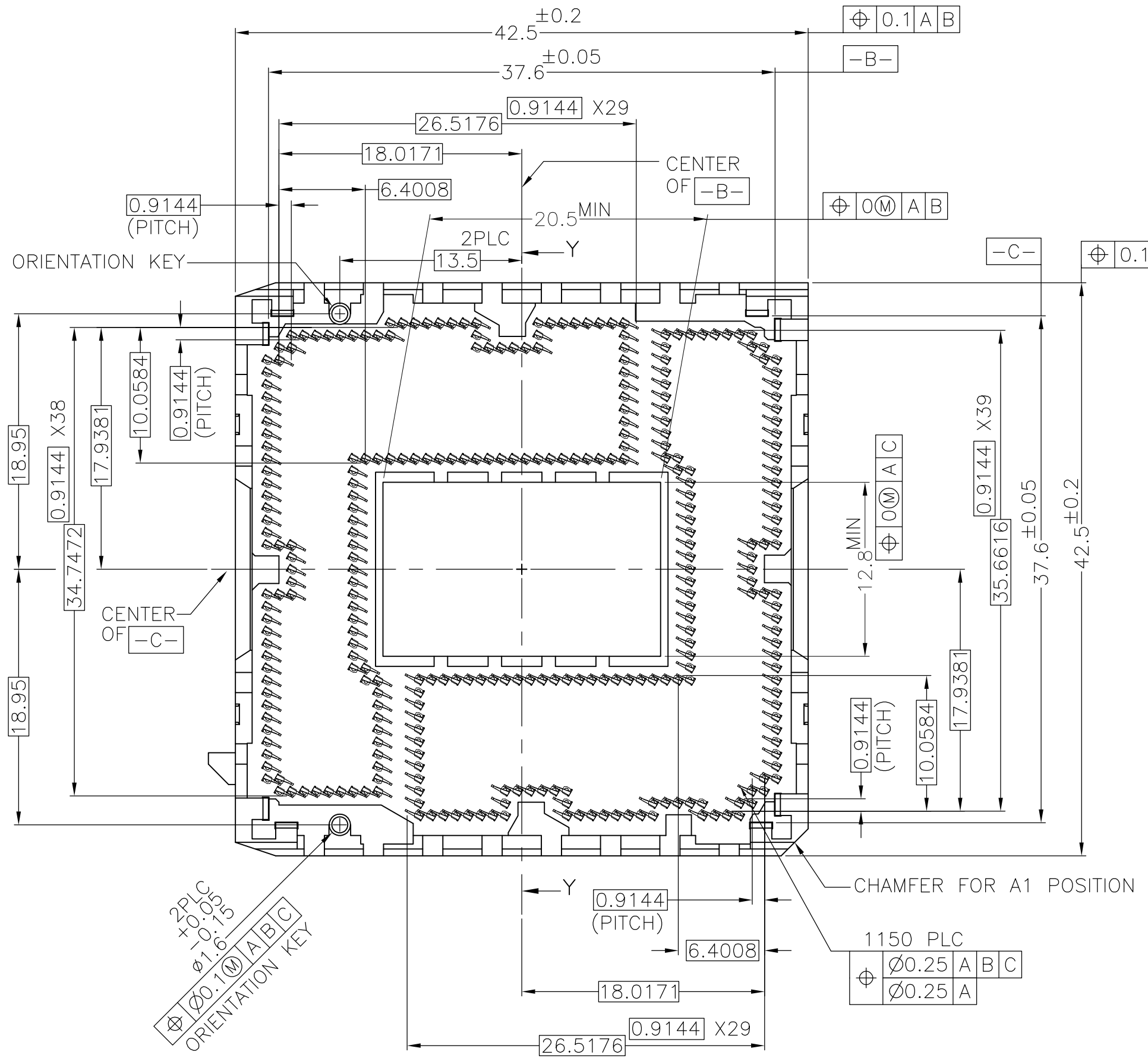


2134928-*, 1-2134928-*: AS SHOWN

THIS DRAWING IS A CONTROLLED DOCUMENT.		DWN	TE Connectivity	
DIMENSIONS: 单位: 毫米 mm		CHK	NAME 名称	
TOLERANCES UNLESS OTHERWISE SPECIFIED: 一般公差		APVD	SOCKET ASSY LGA1150	
φ PLG ± ±0.3		PRODUCT SPEC 製品規格	SIZE A2	CAGE CODE 00779
+ PLG ± ±0.3		APPLICATION SPEC 取付適用規格	DRAWING NO 番号 C=2134928	RESTRICTED TO -
- PLG ± ±0.3		WEIGHT -	SCALE 尺度 NTS	SHEET 3 OF 6
MATERIAL 材料		CUSTOMER DRAWING	REV C	

THIS DRAWING IS UNPUBLISHED. RELEASED FOR PUBLICATION
 © COPYRIGHT - By Tyco Electronics Japan G.K. ALL RIGHTS RESERVED.

LOC	DIST	REVISONS			DATE	DWN	APVD
		P	LTR	DESCRIPTION			
				SEE SHEET 1			

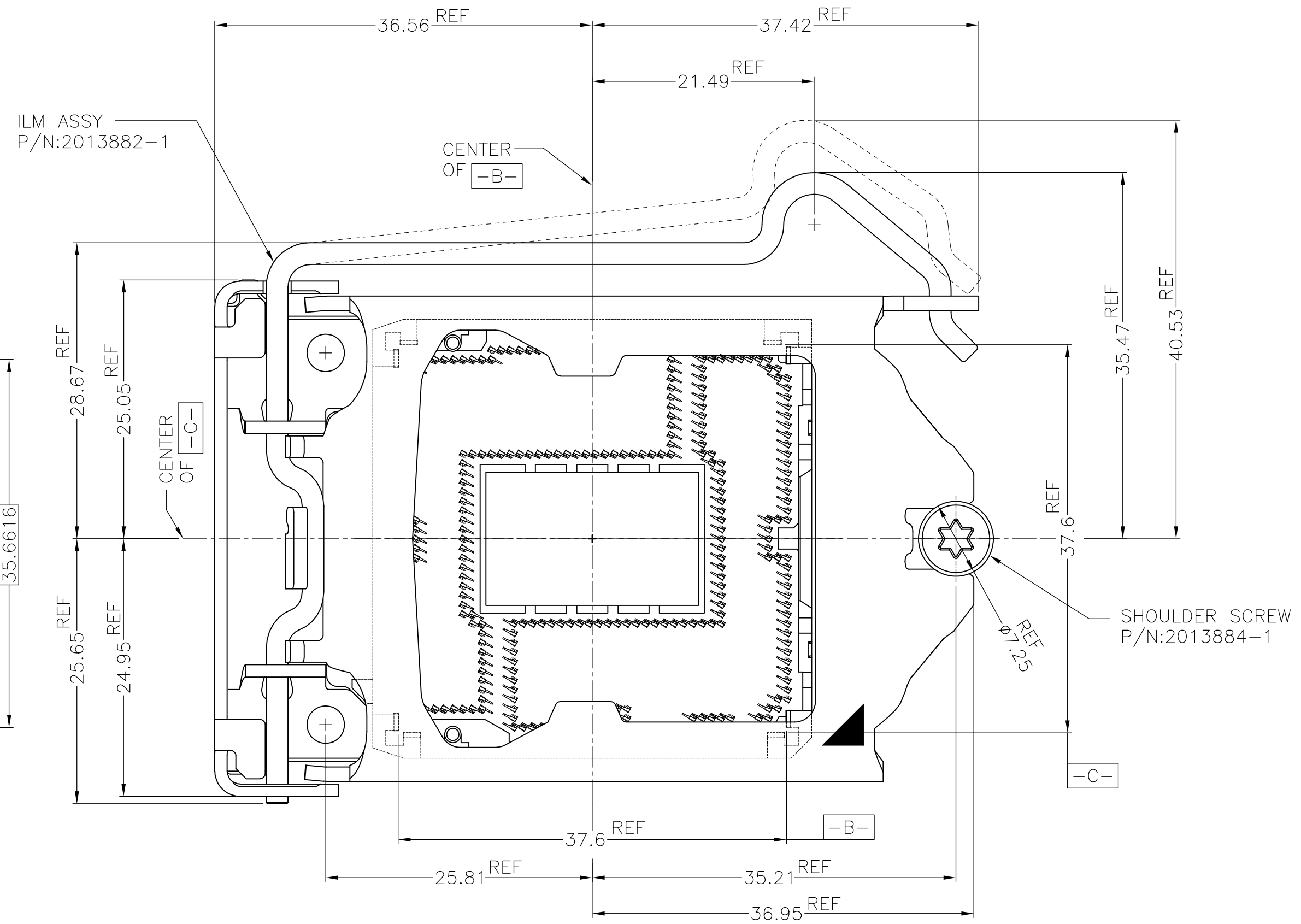
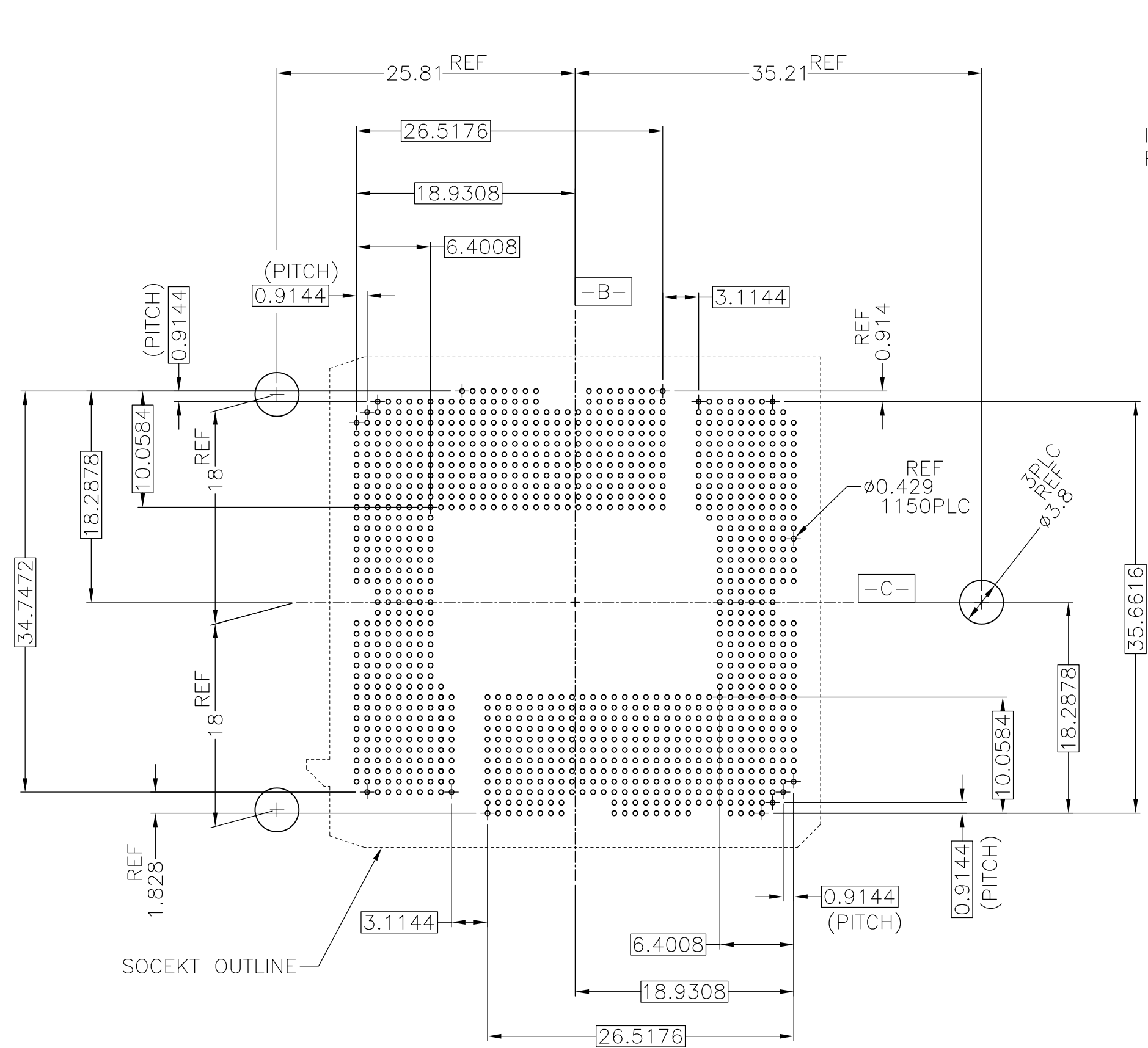


2134928-*, 1-2134928-*: AS SHOWN

THIS DRAWING IS A CONTROLLED DOCUMENT.		DWN			NAME		RESTRICTED TO
DIMENSIONS: 单位: 毫米 mm		CHK			SOCKET ASSY LGA1150		
TOLERANCES UNLESS OTHERWISE SPECIFIED: 一般公差		APVD	SIZE	CAGE CODE	DRAWING NO	REV	
Ø PLG ± ±0.3 1 PLG ± ±0.3 2 PLG ± ±0.3 3 PLG ± ±0.3 4 PLG ± ±0.3 ANGLES ± ±		PRODUCT SPEC	A2	00779	C=2134928	C	
MATERIAL 材料		APPLICATION SPEC	SCALE		SHEET	REV	
FINISH 仕上		取付適用規格	NTS		4 OF 6	C	
		WEIGHT	CUSTOMER DRAWING				

THIS DRAWING IS UNPUBLISHED. RELEASED FOR PUBLICATION
 © COPYRIGHT - By Tyco Electronics Japan G.K. ALL RIGHTS RESERVED.

LOC	DIST	REVISEMENTS					
		P	LTR	DESCRIPTION	DATE	DWN	APVD
-	-	-	-	SEE SHEET 1	-	-	-



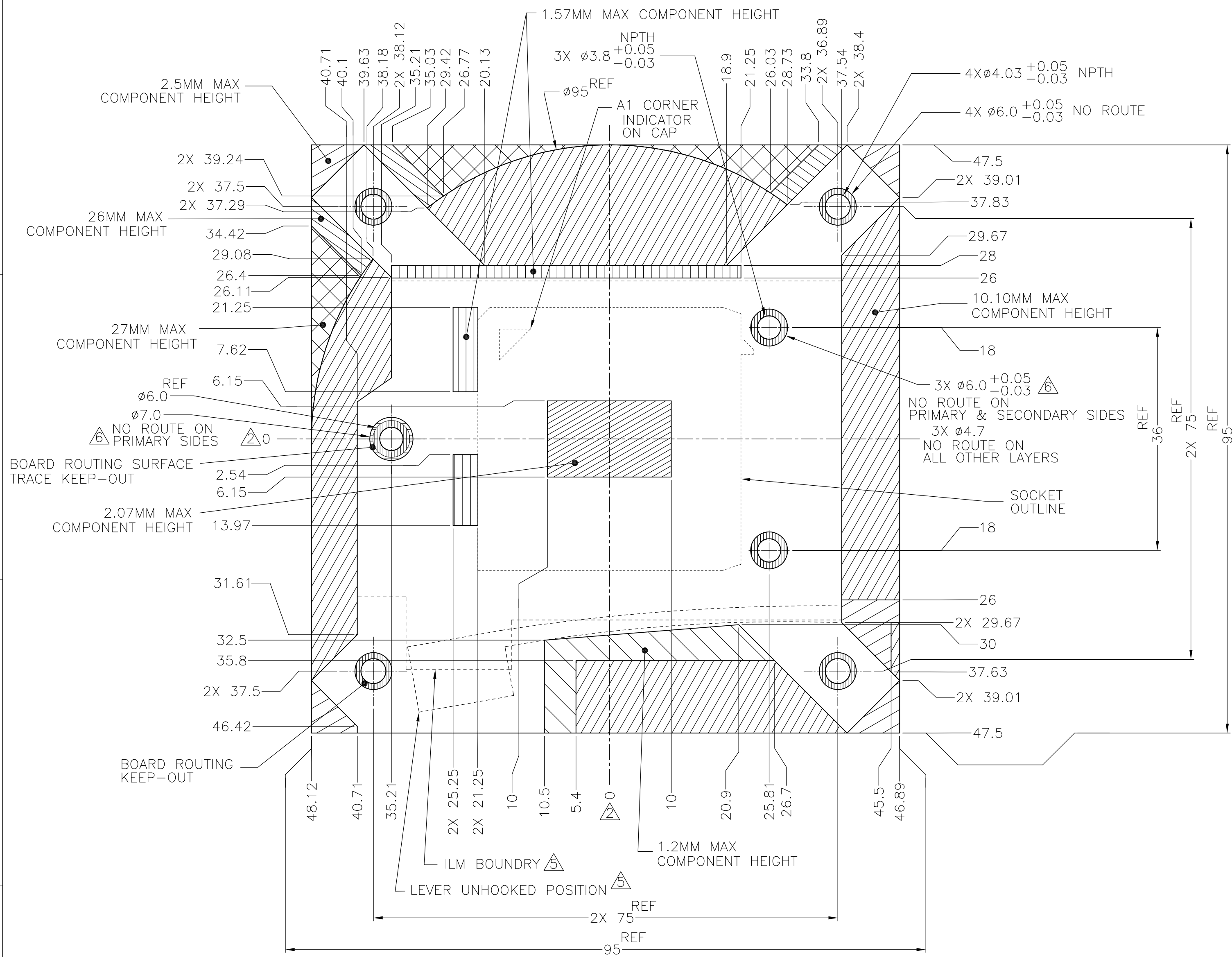
ILM ASSEMBLY OCCUPATION AREA (REFERENCE)
 CAP IS NOT SHOWN ON THIS VIEW

FOR GENERAL BOARD DESIGN, PLEASE REFER TO THE THERMAL AND MECHANICAL DESIGN GUIDELINES(TMDG) PROVIDED BY INTEL CORPORATION

THIS DRAWING IS A CONTROLLED DOCUMENT.		DWN	TE Connectivity		
DIMENSIONS: 单位: 毫米 mm		CHK	NAME 名称		
TOLERANCES UNLESS OTHERWISE SPECIFIED: 一般公差		APVD	SOCKET ASSY LGA1150		
0-PLC ± 0.3 1-PLC ± 0.3 2-PLC ± 0.3 3-PLC ± 0.3 4-PLC ± 0.3 ANGLES ± 0.5 FINISH 仕上		PRODUCT SPEC 製品規格	SIZE A2	CAGE CODE 00779	DRAWING NO 番号 C=2134928
MATERIAL 材料		APPLICATION SPEC 取付適用規格	RESTRICTED TO	-	
		WEIGHT -	CUSTOMER DRAWING		
		SCALE 尺度 NTS	SHEET 5 of 6		REV C

THIS DRAWING IS UNPUBLISHED. RELEASED FOR PUBLICATION
 © COPYRIGHT - By Tyco Electronics Japan G.K. ALL RIGHTS RESERVED.

LOC	DIST	REVISIONS				
		P	LTR	DATE	DWN	APVD
-	-	-	-	-	-	-
SEE SHEET 1				-	-	-



- NOTES (APPLIED TO SHEET 5 OF 5):
1. DIMENSIONS ARE IN MILLIMETERS
 2. Δ GEOMETRIC CENTER OF SOCKET HOUSING CAVITY
 3. BOARD COMPONENT KEEP-INS AND MECHANICAL COMPONENT KEEP-OUTS TO BE UTILIZED WITH SUFFICIENT ALLOWANCES FOR PLACEMENT AND SIZE TOLERANCES, ASSEMBLY PROCESS ACCESS, AND DYNAMIC EXCURSIONS.
 4. ASSUME SYMMETRY FOR UNDIMENSIONED CORNERS AND EDGES.
 5. Δ FOR UNDEFINED DIMENSIONS, REFER TO THERMAL AND MECHANICAL DESIGN GUIDELINE PROVIDED BY INTEL CORPORATION.
 6. Δ COPPER PAD ON PRIMARY SIDE, NON-GROUNDED. COPPER PAD CAN INSET A MAXIMUM OF 0.127MM FROM THE NO ROUTE EDGE
 7. Δ COMBINED COMPONENT AND SOLDER PASTE HEIGHT INCLUDING TOLERANCES AFTER REFLOW.

COMPONENT KEEP-INS AND MECHANICAL COMPONENT KEEP-OUTS

FOR REFERENCE ONLY, PLEASE REFER TO THE THERMAL AND MECHANICAL DESIGN GUIDELINES(TMDG) PROVIDED BY INTEL CORPORATION

LEGEND	
	SOCKET/THERMAL/MECHANICAL COMPONENT KEEP-INS
	10.10MM MAX COMPONENT HEIGHT Δ
	1.57MM MAX COMPONENT HEIGHT Δ
	1.2MM MAX COMPONENT HEIGHT Δ
	BOARD ROUTING KEEP-OUT
	27MM MAX COMPONENT HEIGHT Δ
	BOARD ROUTING SURFACE TRACE KEEP-OUT Δ
	2.07MM MAX COMPONENT HEIGHT Δ
	2.5MM MAX COMPONENT HEIGHT Δ
	26MM MAX COMPONENT HEIGHT Δ

THIS DRAWING IS A CONTROLLED DOCUMENT.		DWN	TE Connectivity													
DIMENSIONS: 单位: 毫米 mm		CHK	NAME 名称													
TOLERANCES UNLESS OTHERWISE SPECIFIED: 一般公差		APVD	SOCKET ASSY LGA1150													
<table border="0"> <tr><td>Ø PLG</td><td>±</td></tr> <tr><td>1 PLG</td><td>±</td></tr> <tr><td>2 PLG</td><td>±</td></tr> <tr><td>3 PLG</td><td>±</td></tr> <tr><td>4 PLG</td><td>±</td></tr> <tr><td>ANGLES</td><td>±</td></tr> </table>		Ø PLG	±	1 PLG	±	2 PLG	±	3 PLG	±	4 PLG	±	ANGLES	±	PRODUCT SPEC 製品規格	SIZE A2	CAGE CODE 00779
Ø PLG	±															
1 PLG	±															
2 PLG	±															
3 PLG	±															
4 PLG	±															
ANGLES	±															
MATERIAL 材料		APPLICATION SPEC 取付適用規格	DRAWING NO 番号	RESTRICTED TO												
FINISH 仕上		WEIGHT -	C=2134928	-												
		CUSTOMER DRAWING	SCALE 尺度 NTS	SHEET 6 OF 6												
			REV C													