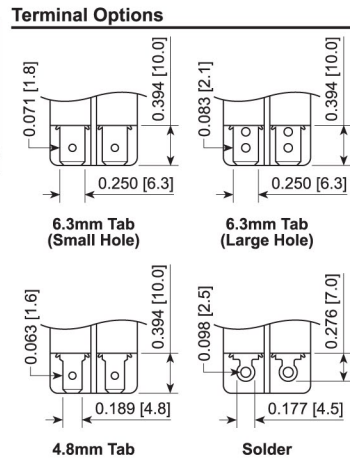
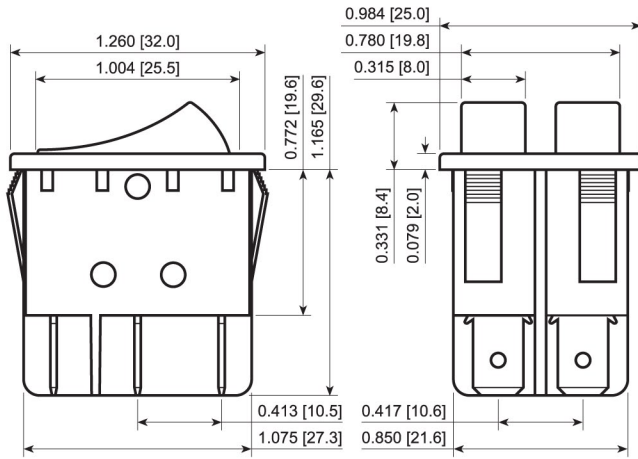


RB4 Series



ROCKER



FEATURES:

- High Quality and Reliable Switch
- High Ratings
- Industry Standard 22mm x 30mm Cutout
- Illuminated Versions
- Multiple Terminal and Actuator Options
- PVC Cap for Dust and Water Protection

SPECIFICATIONS:

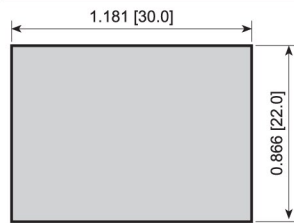
RATING: *RATING OPTION C:*
 16A 125VAC T85 [UL, cUL]
 8A 250VAC T85 [UL, cUL]
 16(4)A 250V~ 1E4 T125 [VDE]

TEMPERATURE: -20°C to 85°C Min.
ELECTRICAL LIFE: 10,000 Cycles
CONTACT RESISTANCE: 35mΩ Max.
INSULATION RESISTANCE: 100MΩ Min. at 500VDC
DIELECTRIC STRENGTH: 1,500VAC for 1 Minute
INGRESS PROTECTION: IP54 with PVC Cap

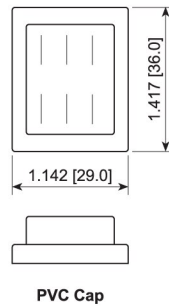
MATERIALS:

Body: Polyamide 6/6, UL94 V-2
ACTUATOR: Polyamide 6/6, UL94 V-2
 Polycarbonate, UL94 V-2
CONTACTS: Silver Alloy
TERMINALS: Silver Plated Copper

Panel Cutout



Water Protection Options



Actuator Options



Illumination Options



RB441C1100



RB4B1C1(021-116)+(121)



RB4B(1C1211)+(3C1200)



RB4B1C1021-116

Series	Terminal	Function	Rating	Body Color	Actuator Color	Marking Color	Marking Type	Lens Style	Lens Color	Lamp Voltage
RB4 - Curved RB4F - Flat	1 - 4.8mm Tab 4 - 6.3mm Tab (Small Hole) 5 - Solder B - 6.3mm Tab (Large Hole)	1 - Off-On 3 - On-On 4 - Off-(On) B - On-(On)	C - 16A 125V	1 - Black 2 - White 3 - Almond 4 - Grey 9 - Red	0 - Full Illum. 1 - Black 2 - White 3 - Almond 4 - Grey 5 - Orange 7 - Blue 8 - Green 9 - Red	0 - None 1 - Black 2 - White 8 - Red	0 - None 1 - I/O Vert. 3 - ON/OFF Vert. 4 - ON/OFF Horiz. R - I/O Horiz.	1 - Full 2 - Round	0 - Clear 1 - Red 2 - Amber 3 - Green 4 - Blue	3 - 6V 4 - 12V 5 - 24V 6 - 125V 7 - 250V

Note: The second set of parentheses have the same format as the first set. They only need to be included if the two actuators differ. See the part number examples for details.
 Custom Colors and Markings Available Upon Request For Illuminated Switches Only

EXAMPLE PART NUMBERS:
 RB441C1121 2x1P Off-On
 Black Body/Actuator, 6.3mm Tab, No Marking



SPECIFICATIONS SUBJECT TO CHANGE WITHOUT NOTICE