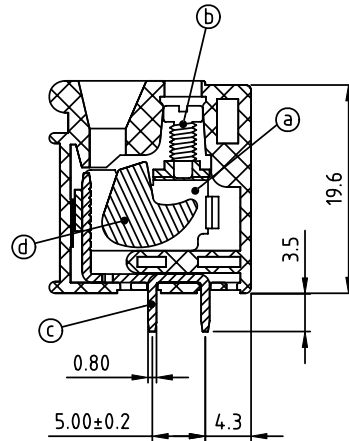
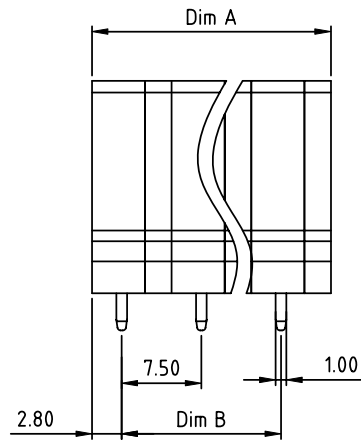
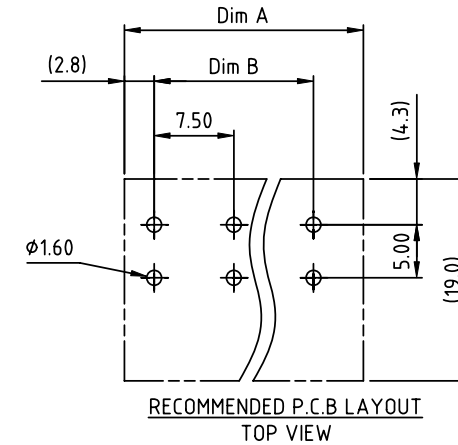
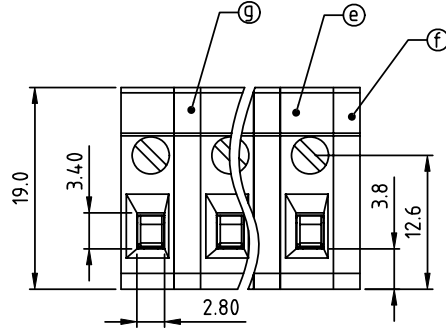


PRODUCT NUMBER	PITCH
TRxx25x000J0G	7.50mm



Material:

- Item (a) Terminal body (metal housing): steel stamping Zinc plating
- Item (b) Terminal screw: Steel Zinc plating "-" slot type
- Item (c) Contacts: Brass, Tin plated
- Item (d) Firm wire chunk: steel Zinc plating
- Item (e) Terminal (housing): Thermoplastic (UL94V-0)
- Item (f) Terminal cover: Thermoplastic (UL94V-0)
- Item (g) padding block: Thermoplastic (UL94V-0)

Electrical cULus

- Voltage rating: 300VAC
- Current rating: 20A
- Wire range:
- Solid wire (AWG): 12-22
- Stranded wire (AWG): 12-22
- Torque (Lb-In): 2.4
- Screw: M2.5
- Wire strip length: 10-11mm
- Withstanding Voltage: 1.6KV
- Operating temperature: -40°C to +115°C
- Soldering temperature: 260°C±5°C/5 Sec
- Safety Approval:

N = Number of poles  
Dim A = N x 7.5  
Dim B = (N-1) x 7.5

poles	Dim A	Dim B
2-6p	±0.20	±0.20
7-12p	±0.30	±0.30
13-16p	±0.40	±0.40

PART NO.: TR xx 2 5 x 0 00J0 G

End stackable	0	Body Color	Black (RAL9005)	RoHS compliant	In copper Alloy
No. of poles	2		Red (RAL3001/D)		
02 2 poles	3		Orange (RAL2011/P)		
03 3 poles	4		Yellow (RAL1018/A)		
...	5		Green (RAL6018/T)		
16 16 poles	6		Blue (RAL5015/A)		
	8		Grey (RAL7035/D)		
	9		White (RAL1102)		
	C		Green (RAL6018/U)		

mat'l. code		surface ASME Y14.5	tolerance ASME Y14.5	projection	product family TERMINAL BLOCK
ltr	ecn no	dr	date		title TERMINAL BLOCK
				tolerances unless otherwise specified	WIRE PROTECTOR, 90D WIRE INLET
				angles X±0.5	scale
				±1°	X.XX±0.1
				dr	EVIN ZHONG 040114
				enr	EVIN ZHONG 040114
				chr	HANKE FENG 040114
				appd	SHI JUN 040114
sheet index		revision	A		dwg no TRxx25x000J0G
		sheet	1		sheet 1 of 1
					type CUSTOMER Drawing