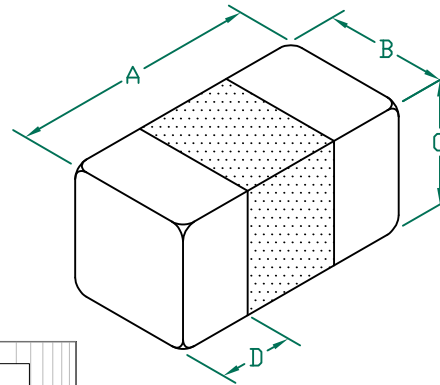


HZ0402B102R-10

UNCONTROLLED DOCUMENT

PHYSICAL DIMENSIONS:

A	1.01 [.040]	\pm	0.18 [.007]
B	0.50 [.020]	\pm	0.20 [.008]
C	0.50 [.020]	\pm	0.20 [.008]
D	0.30 [.012]		MAX.

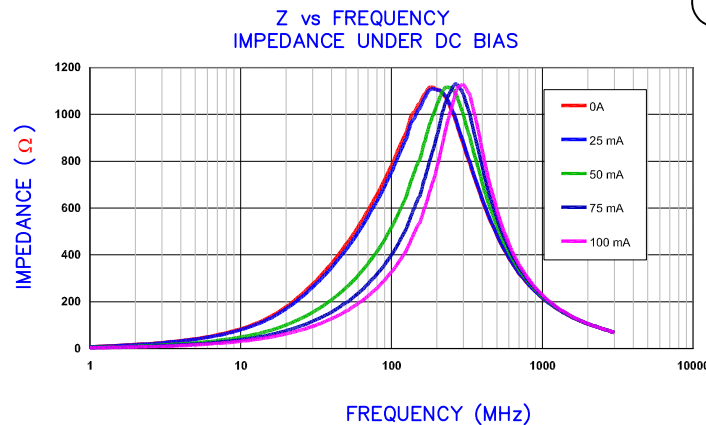


ELECTRICAL CHARACTERISTICS:

Z @ 100MHz (Ω)	DCR (Ω)	RATED CURRENT
Nominal	1000	
Minimum	750	
Maximum	1250	200mA

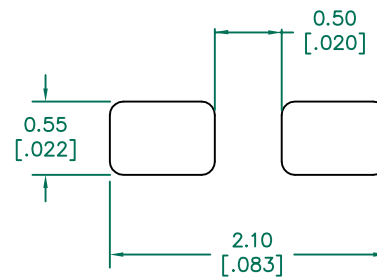
NOTES: UNLESS OTHERWISE SPECIFIED

1. TAPED AND REELED PER CURRENT EIA SPECIFICATIONS, 7" REELS, 10K PIECES PER REEL, PAPER CARRIER TAPE.
2. TERMINATION FINISH IS 100% TIN.
3. COMPONENTS SHOULD BE ADEQUATELY PREHEATED BEFORE SOLDERING.
4. OPERATEING TEMPERATURE TEMP: $-40^{\circ}\text{C} \sim +125^{\circ}\text{C}$ (INCLUDING SELF-HEATING)

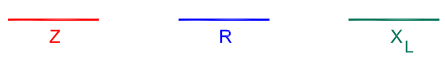
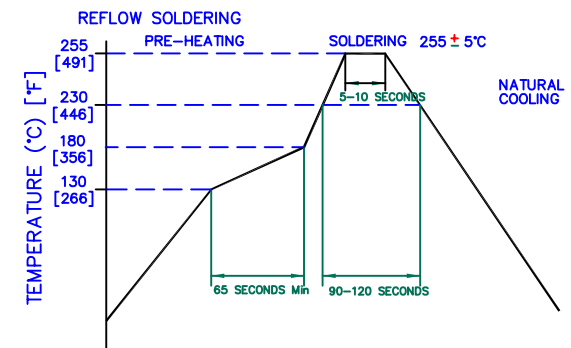
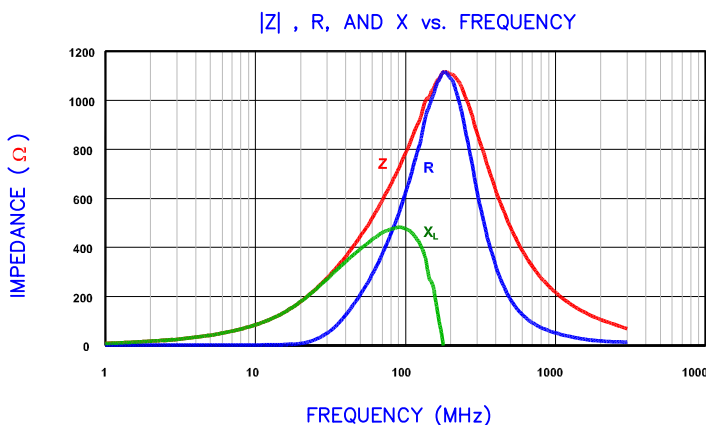


LAND PATTERNS FOR REFLOW SOLDERING

RECOMMENDED SOLDERING CONDITIONS



(For wave soldering, add 0.763 (.030 to this dimension).)



DIMENSIONS ARE IN mm [INCHES].		This print is the property of Laird Tech. and is loaned in confidence subject to return upon request and with the understanding that no copies shall be made without the written consent of Laird Tech. All rights to design or invention are reserved.		Laird	
PROJECT/PART NUMBER:		REV	PART TYPE:	DRAWN BY:	
C	ADD OPERATING TEMPERATURE UPDATE LAIRD LOGO AND REFLOW CURVE	08/05/13	QU	HZ0402B102R-10	JRK
B	UPDATE COMPANY LOGO	02/15/08	JRK	DATE: 03/21/06	SCALE: NTS
A	ORIGINAL DRAFT	03/21/06	JRK	CAD #	SHEET: 2 of 2
REV	DESCRIPTION	DATE	INT	HZ0402B102R-10-C	TOOL # -