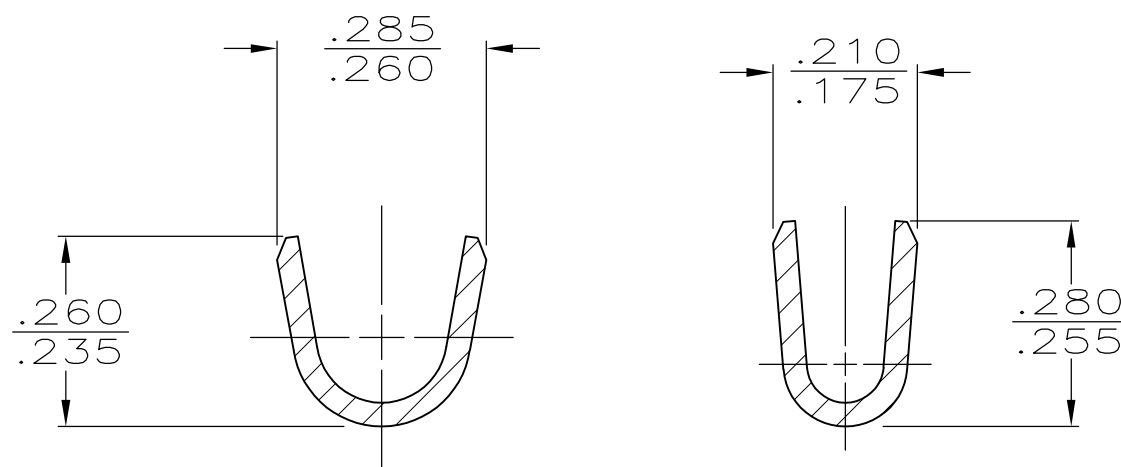
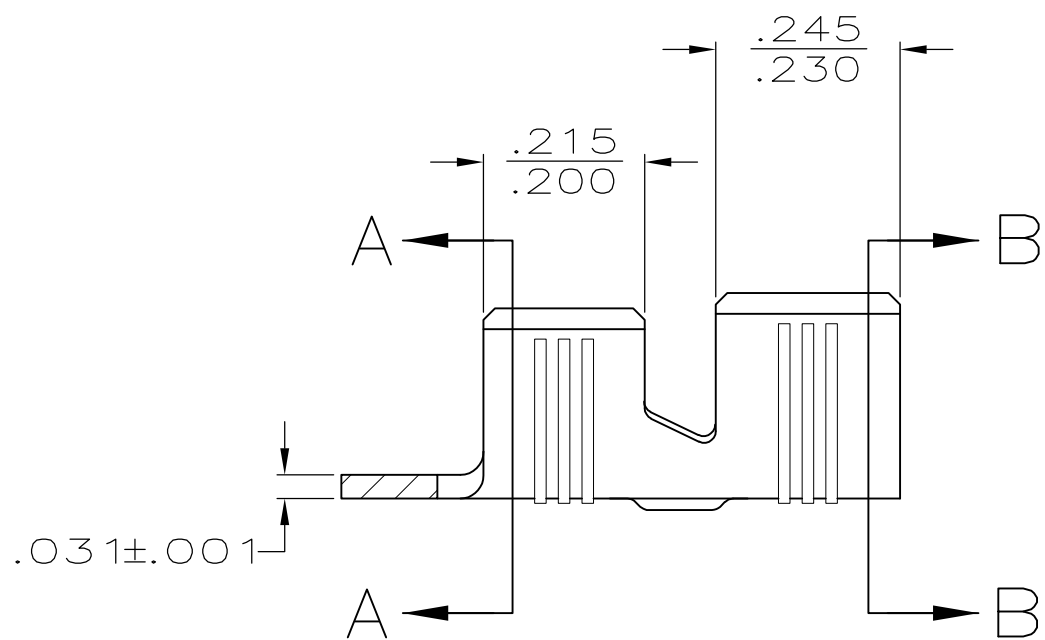
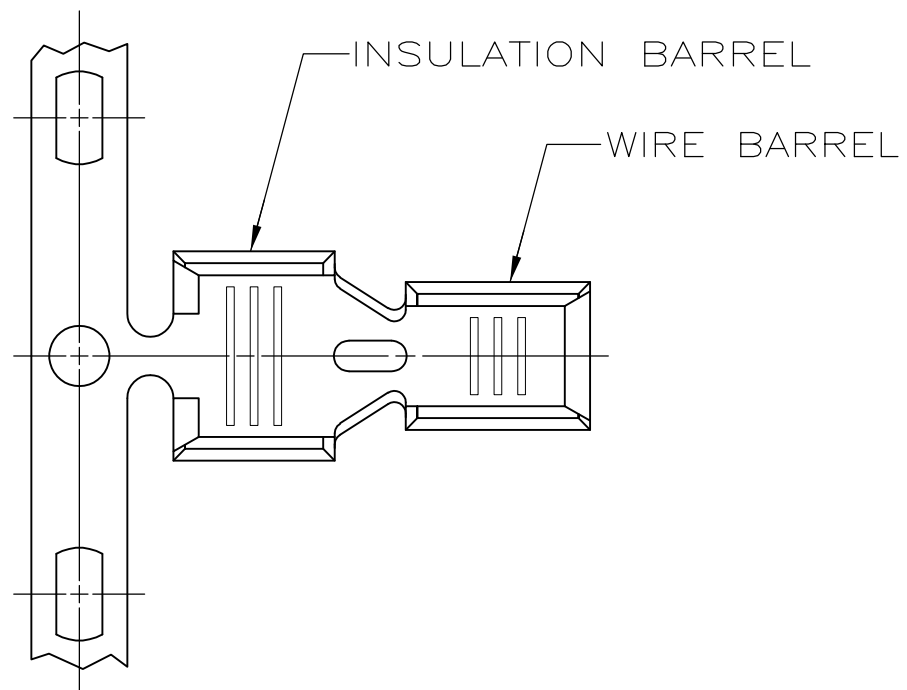


THIS DRAWING IS UNPUBLISHED. RELEASED FOR PUBLICATION

© COPYRIGHT BY TYCO ELECTRONICS CORPORATION. ALL INTERNATIONAL RIGHTS RESERVED.

LOC	DIST	REVISIONS					
AF	50	P	LTR	DESCRIPTION	DATE	DWN	APVD
		L		REVISED PER ECR-08-030838	30MAR09	HMR	GP

1 PRODUCT PROVIDED IN STRIP FORM ON REELS, BREAKS MAY BE PRESENT.



SECTION A-A SECTION B-B

61300-1  
PART NO

THIS DRAWING IS A CONTROLLED DOCUMENT.		DWN	M S FEHER	9/8/88	Tyco Electronics Corporation Harrisburg, PA 17105-3608		
DIMENSIONS: INCHES		CHK	J R RUTH	9/12/88			
TOLERANCES UNLESS OTHERWISE SPECIFIED:		APVD	J R RUTH	9/12/88	SPLICE WITH INSULATION SUPPORT		
0 PLC ± - 1 PLC ± - 2 PLC ± - 3 PLC ± .010 4 PLC ± - ANGLES ± -		PRODUCT SPEC		SIZE			RESTRICTED TO
MATERIAL: STEEL		FINISH: TIN		APPLICATION SPEC		CAGE CODE	DRAWING NO
				WEIGHT: -		A300779	C-61300
CUSTOMER DRAWING				SCALE	4:1	SHEET	1 OF 1
				REV		L	