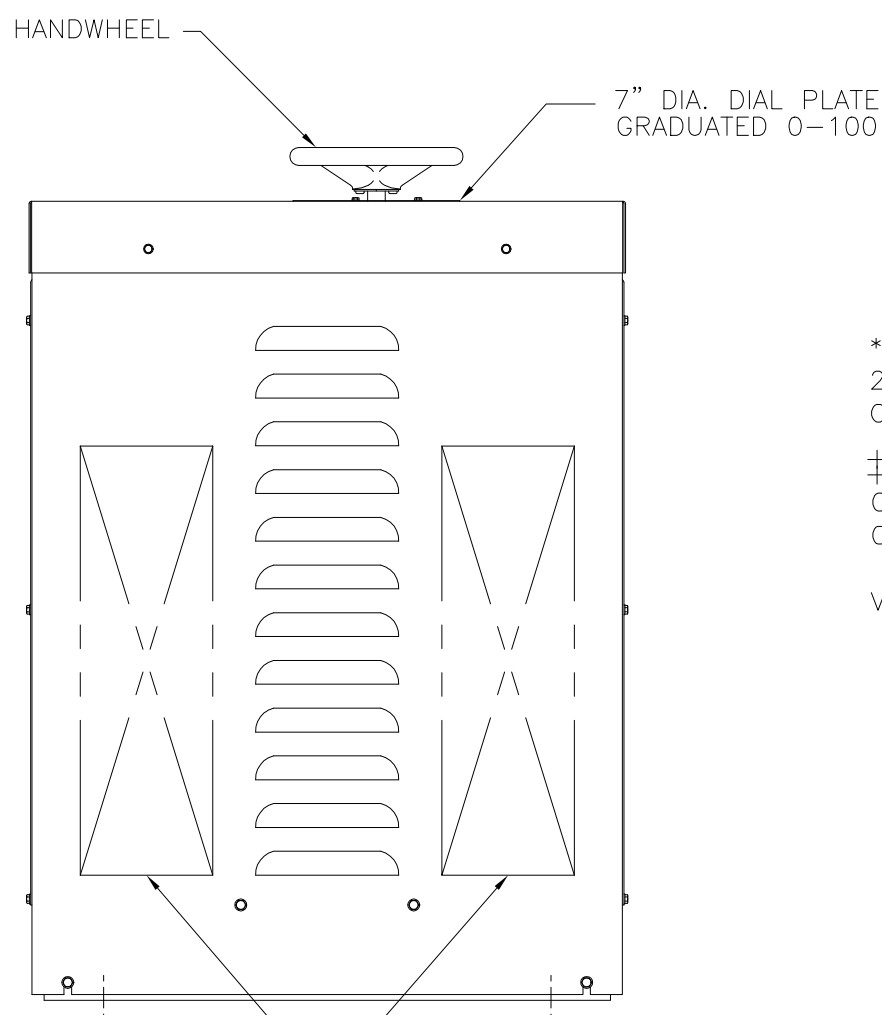
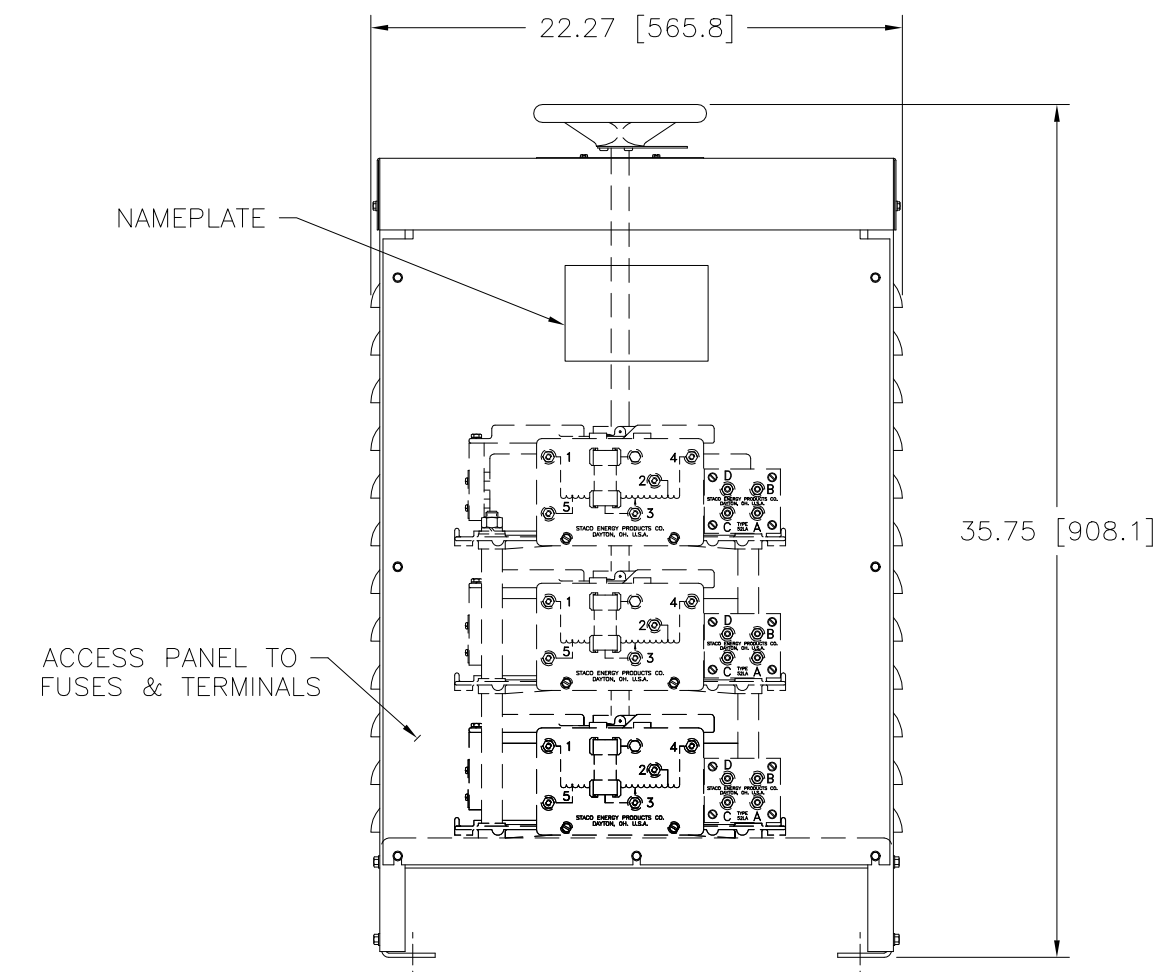


**FIGURE A**  
 MAXIMUM OUTPUT CURRENT OF ANY  
 DUAL INPUT VOLTAGE OR VOLTAGE DOUBLER  
 UNIT OPERATED AT LOWER INPUT VOLTAGE.

\* MAXIMUM OUTPUT CURRENT IN OUTPUT VOLTAGE RANGE FROM 0 TO 25% ABOVE LINE VOLTAGE. AT HIGHER OUTPUT VOLTAGES, OUTPUT CURRENT MUST BE REDUCED ACCORDING TO RATING CURVE, FIGURE A.

‡ MAXIMUM KVA AT MAXIMUM OUTPUT AND CORRESPONDING DE-RATED CURRENT. MAXIMUM KVA AT LOWER OUTPUT VOLTAGES MAY BE CALCULATED FROM RATING CURVE FIGURE A.

V.D. = VOLTAGE DOUBLER.



WIRING	INPUT		OUTPUT			SHAFT ROTATION FOR VOLTAGE INCREASE	TERMINAL CONNECTIONS FOR INCREASING VOLTAGE AS VIEWED FROM TOP	
	VOLTS	HERTZ	VOLTS	CONSTANT CURRENT LOAD			INPUT	OUTPUT
				MAX. AMPS	MAX. KVA			
SINGLE PHASE PARALLEL	240	50/60	0-240	105	25.2	CW	1-4	1-D
			0-280	105	29.4	CW	1-2	1-D
	120	50/60	0-280	105-45 V.D.	12.6 ‡	CW	1-5	1-D

UNLESS OTHERWISE SPECIFIED, TOLERANCE IS # DECIMALS .XX .XXX .12 .0008 .03 .1° .1-1/2°				UNITS IN (mm)	TITLE: SPECIFICATION CONTROL DRAWING VARIABLE TRANSFORMER 6020E-3P	
MATERIAL: ALL DIMENSIONS APPLY AFTER PLATING				DO NOT SCALE DWG.	CUSTOMER APPROVAL	
DRAWN BY: TIM RAU	DATE: 12/29/95	FIRST USED ON	DO NOT SCALE DWG.	CUSTOMER APPROVAL	DATE	
CHECKER:	DATE:	WEIGHT APPROX.	CODE IDENT. NO. 83008	DWG. NO. 032-7455		
ENGINEER:	DATE:	SCALE .25=1	SHEET 1 OF 1			

The information and design disclosed herein was originated by and is the property of STACO ENERGY PRODUCTS CO., which reserves all patent, proprietary, design, manufacturing, reproduction, use and sale rights thereto, and to any article disclosed therein except to the extent rights are expressly granted to others. The foregoing does not apply to vendor proprietary parts.