

MODEL:

# PDUMV20

## Metered Rackmount PDU



Low Voltage  
Input/Output



20 Outlets



20A Max Capacity



Load Meter

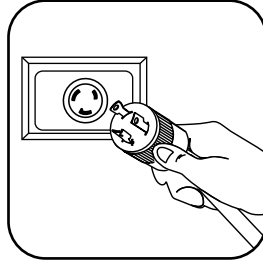


0U Rackmount



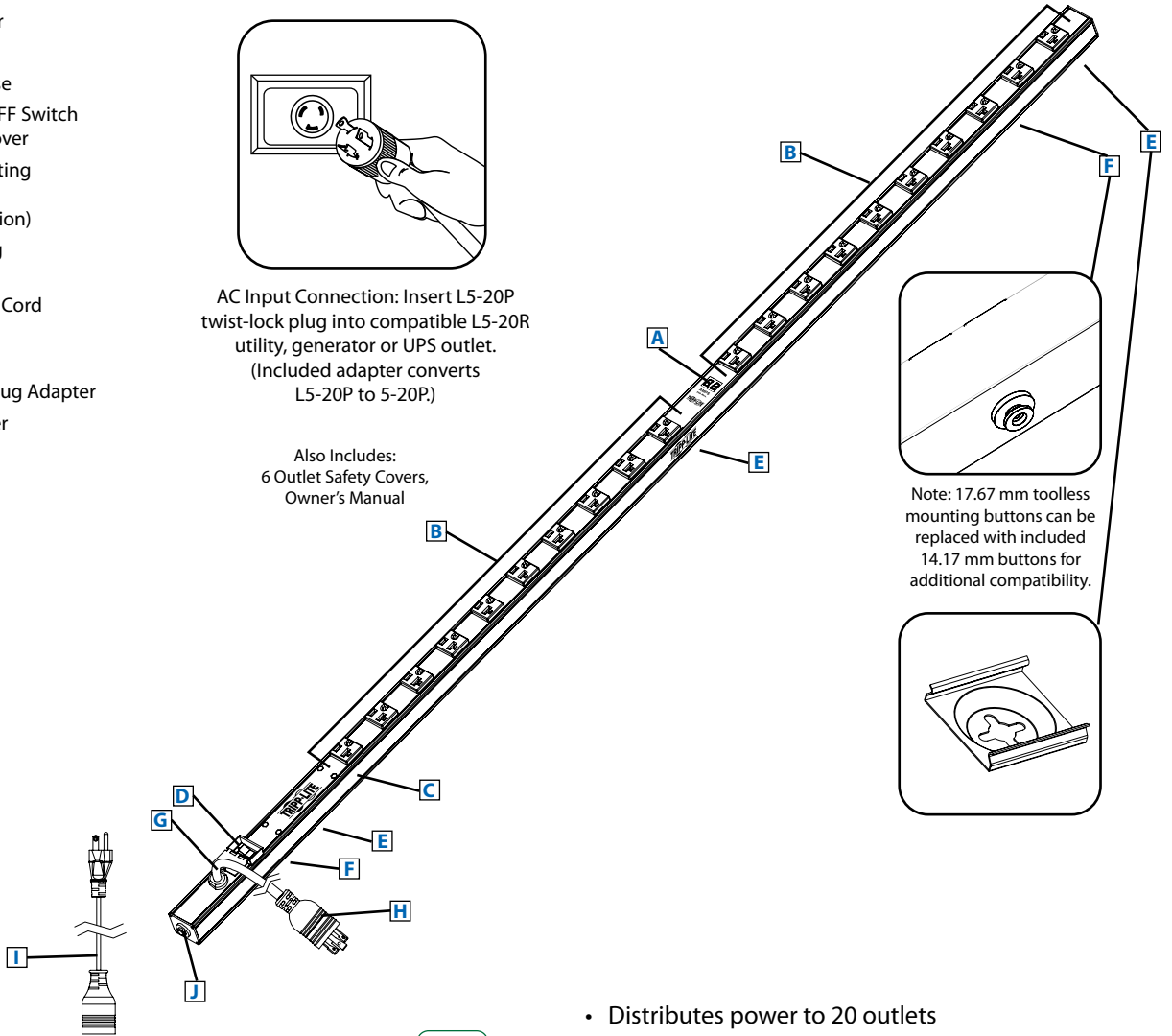
Toolless Mounting  
Buttons

- A** Digital Load Meter
- B** 5-15/20R Outlets
- C** Durable Metal Case
- D** Illuminated ON/OFF Switch with Protective Cover
- E** Removable Mounting Brackets (Optional Installation)
- F** Toolless Mounting Buttons
- G** 15 ft. Input Power Cord
- H** L5-20P Twist-Lock Input Plug
- I** L5-20P to 5-20P Plug Adapter
- J** 20A Circuit Breaker



AC Input Connection: Insert L5-20P twist-lock plug into compatible L5-20R utility, generator or UPS outlet. (Included adapter converts L5-20P to 5-20P.)

Also Includes:  
6 Outlet Safety Covers,  
Owner's Manual



Note: 17.67 mm toolless mounting buttons can be replaced with included 14.17 mm buttons for additional compatibility.

### Specifications

Model	PDUMV20
Voltage	100-125V
Frequency	50/60 Hz
Maximum Capacity	20A
Input Connector	L5-20P or 5-20P
Cord Length	15 ft.
Outlets	20 (5-15/20R)
Primary Mounting Option	0U (Vertical) Rackmount
Unit Weight & Dimensions	5 lb / 1.75 x 60 x 1.25 in. <i>See next page for detailed unit measurements.</i>
Certifications	Tested to UL 60950-1 (US & Canada)

Tripp Lite has a policy of continuous improvement. Specifications are subject to change without notice.

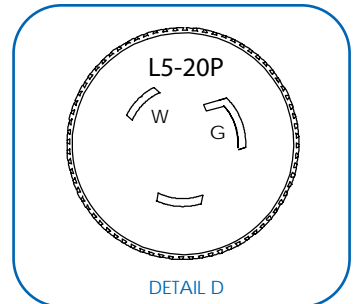
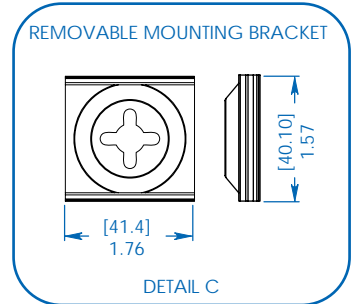
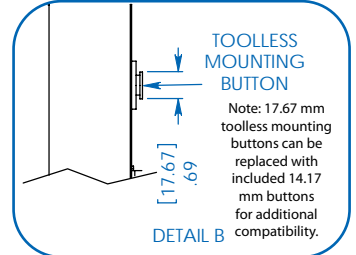
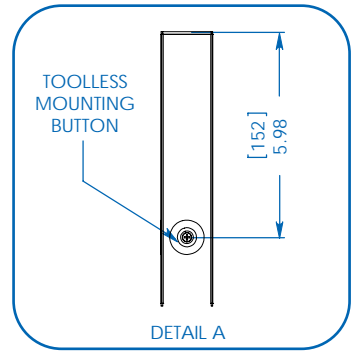
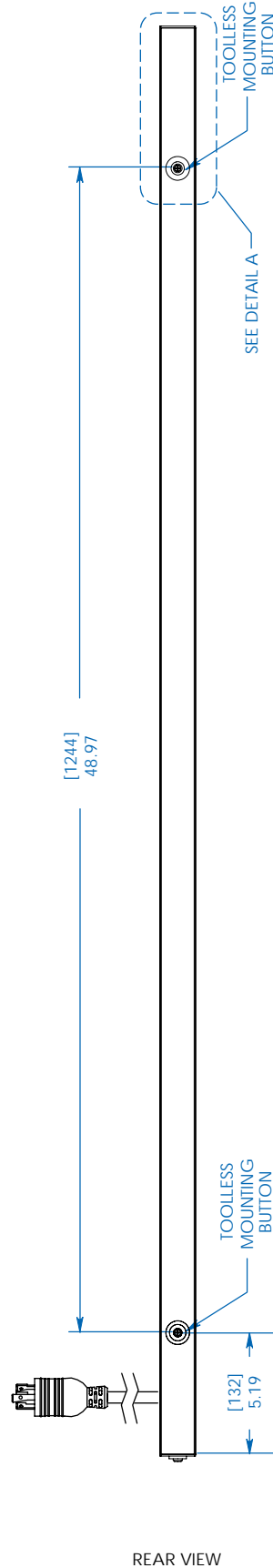
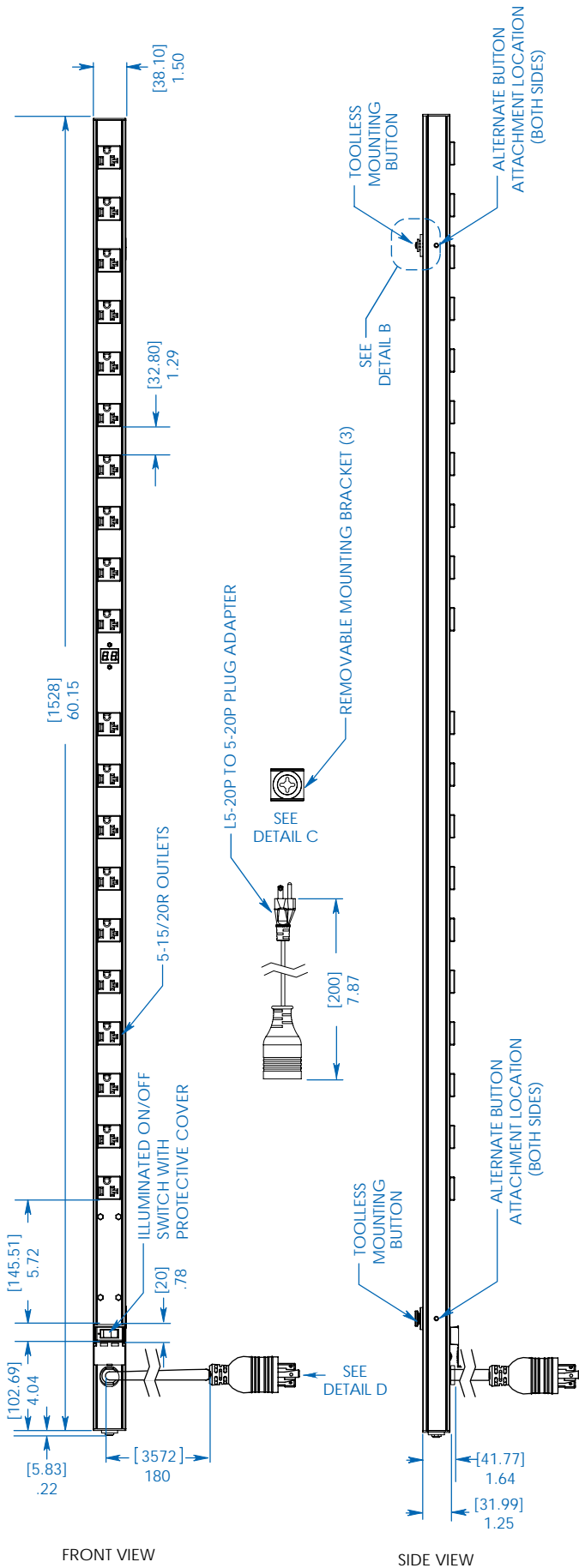


- Distributes power to 20 outlets
- Displays total load in real time
- Perfect for rackmount server, network and telecom applications

**SEE NEXT PAGE FOR DETAILED UNIT MEASUREMENTS**



1111 W. 35th Street  
Chicago, IL 60609 USA  
773.869.1234  
www.tripplite.com



Dimensions: [mm] INCHES

Tripp Lite has a policy of continuous improvement. Specifications are subject to change without notice.

MODEL:  
**PDUMV20**

**TRIPP·LITE**

1111 W. 35th Street  
Chicago, IL 60609 USA  
773.869.1234  
www.triplite.com