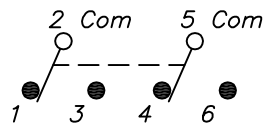


RECOMMENDED PANEL MOUNT



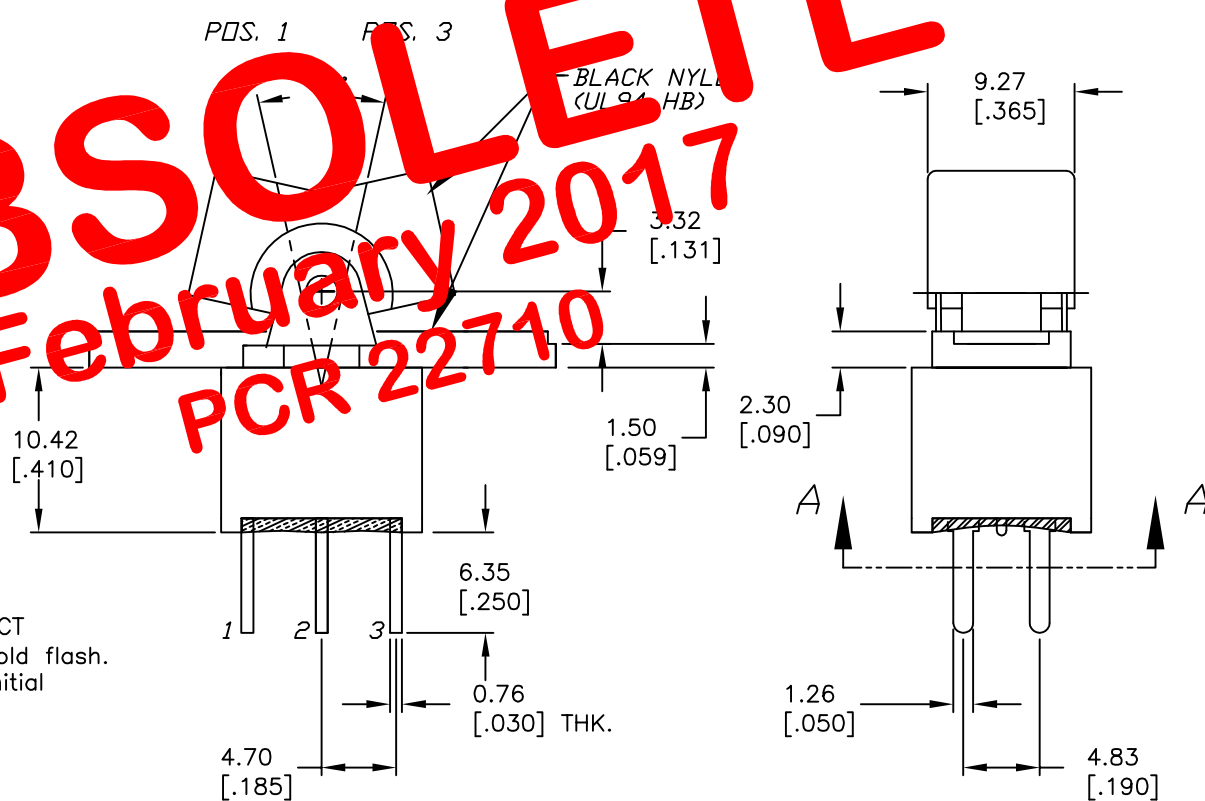
CIRCUIT: 2PDT

SWITCH FUNCTION		
PDS. 1	PDS. 2	PDS. 3
(ON)	OFF	(ON)
2-3,5-6	OPEN	2-1,5-4

NOTES: () = MOMENTARY

- ALL DIMENSIONS IN MM [INCH]
- GENERAL TOLERANCE: X.X=±0.4
X.XX=±0.25
- TERM. NOS. FOR REF. ONLY
- RATING: 5A @120VAC OR 29VDC
2A @250VAC
- MATERIAL: FIXED TERMINAL & MOVING CONTACT
Copper Alloy w/SILVER PLATE over Gold flash.
- CONTACT RESISTANCE: 10mILLI Ohms max initial
@2-4VDC, 100mA for AG & AU
- ELECTRICAL LIFE: 30,000 make-and-break
cycles at full load.
- INSULATION RESISTANCE: 1,000M ohm min.
- DIELECTRIC STRENGTH: 1000V RMS @sea level
- OPERATING TEMP.: -30°C to 85°C

OBSOLETE
February 2017
PCR 22710



E-SWITCH®

A	12841	RELEASED FOR PRODUCTION	2/26/03	CB
REV.	ECN No.	DESCRIPTION	DATE	CHKD

TITLE 300A WDP-4 R1 M2 Q E				
SCALE 2:1	DATE 2/26/03	DR CB	DWG T302412	REV A

THE INFORMATION CONTAINED IN THIS DOCUMENT IS PROPRIETARY TO E-SWITCH AND IS NOT TO BE COPIED OR TRANSFERRED