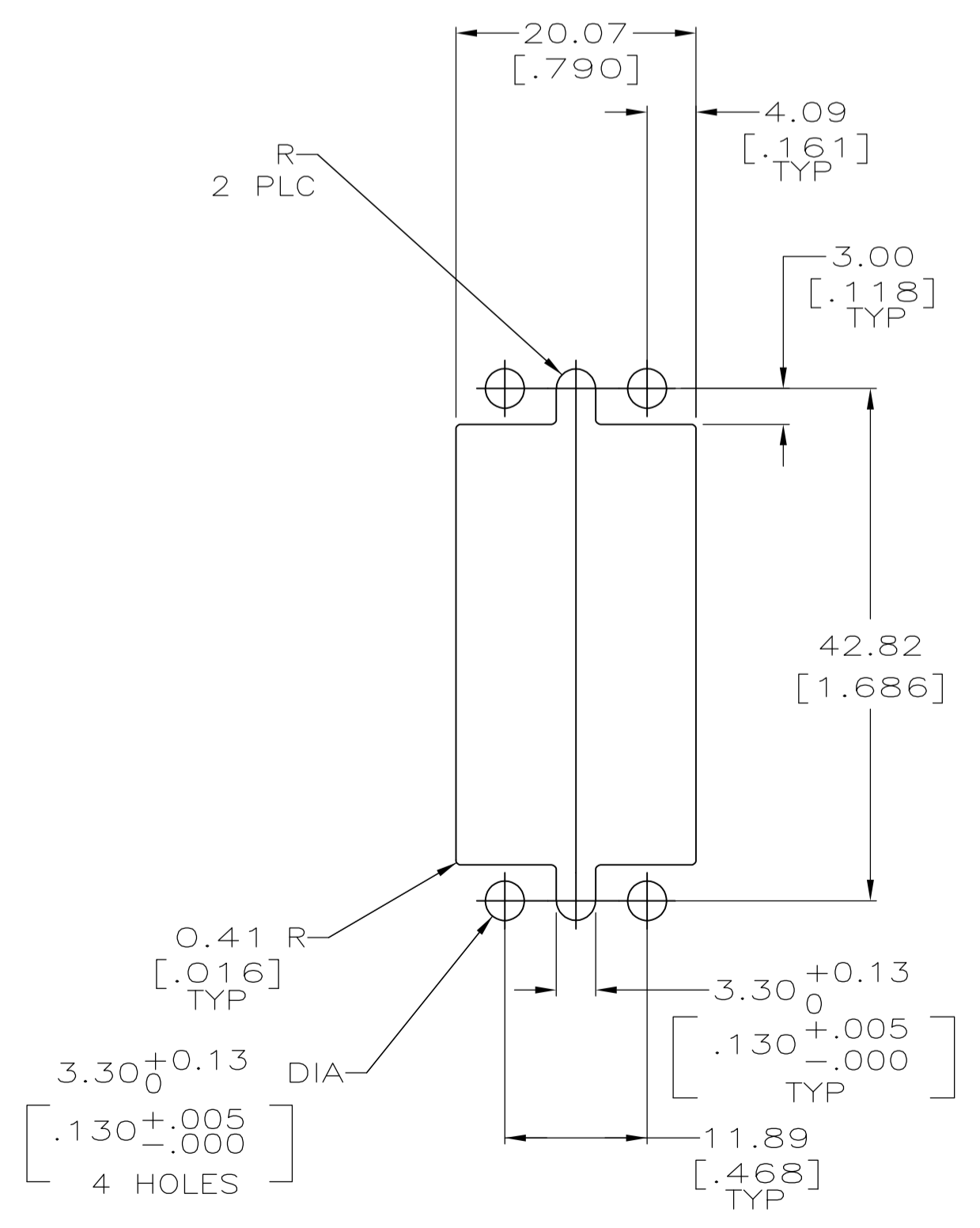
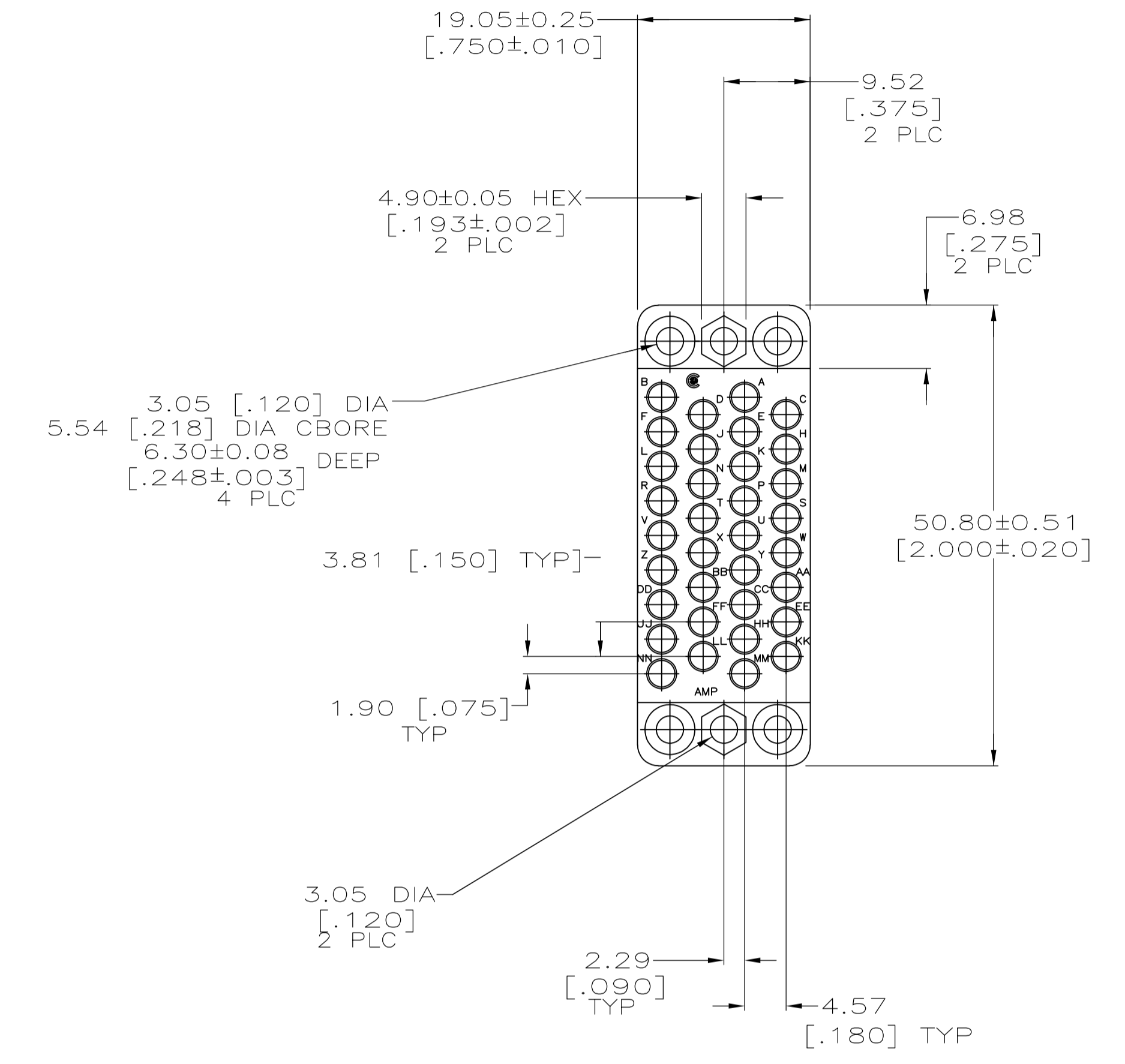
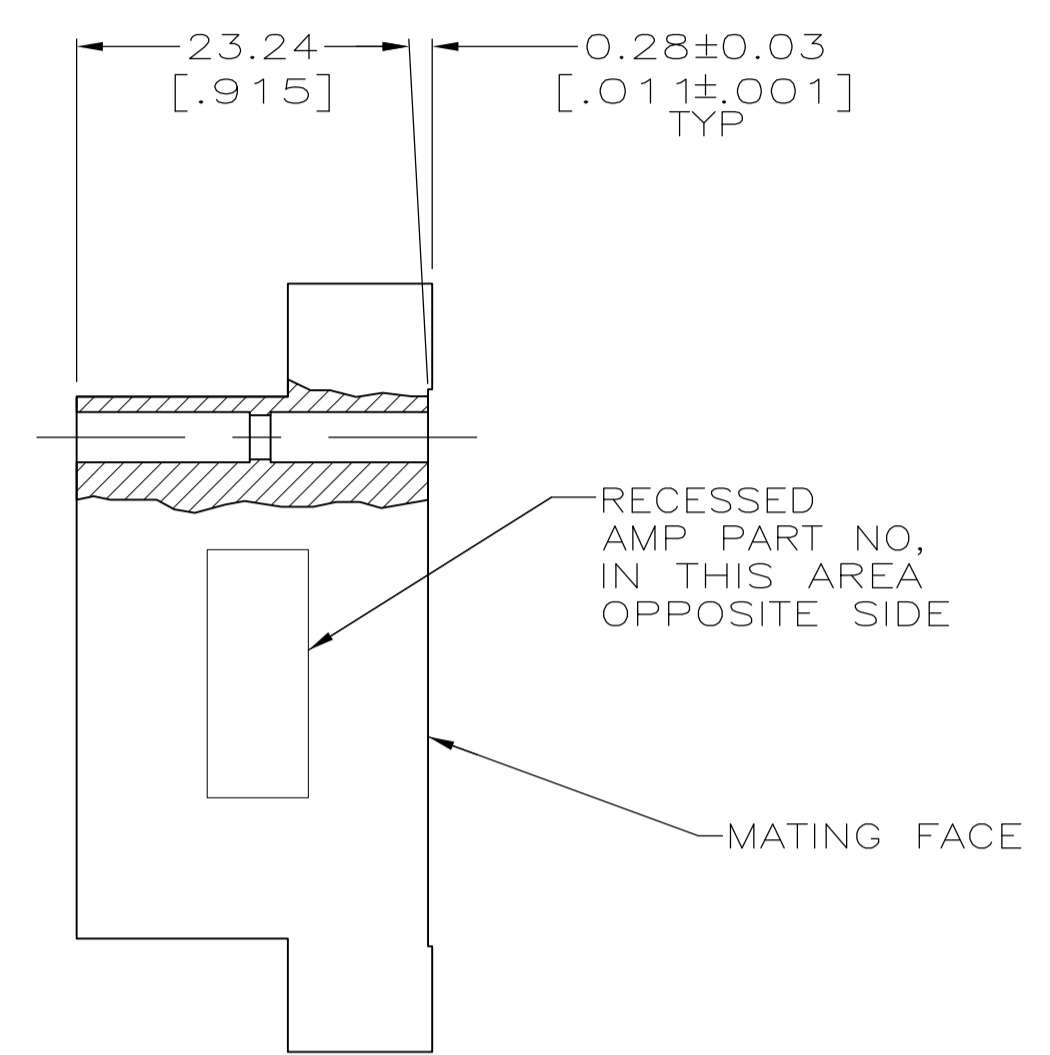
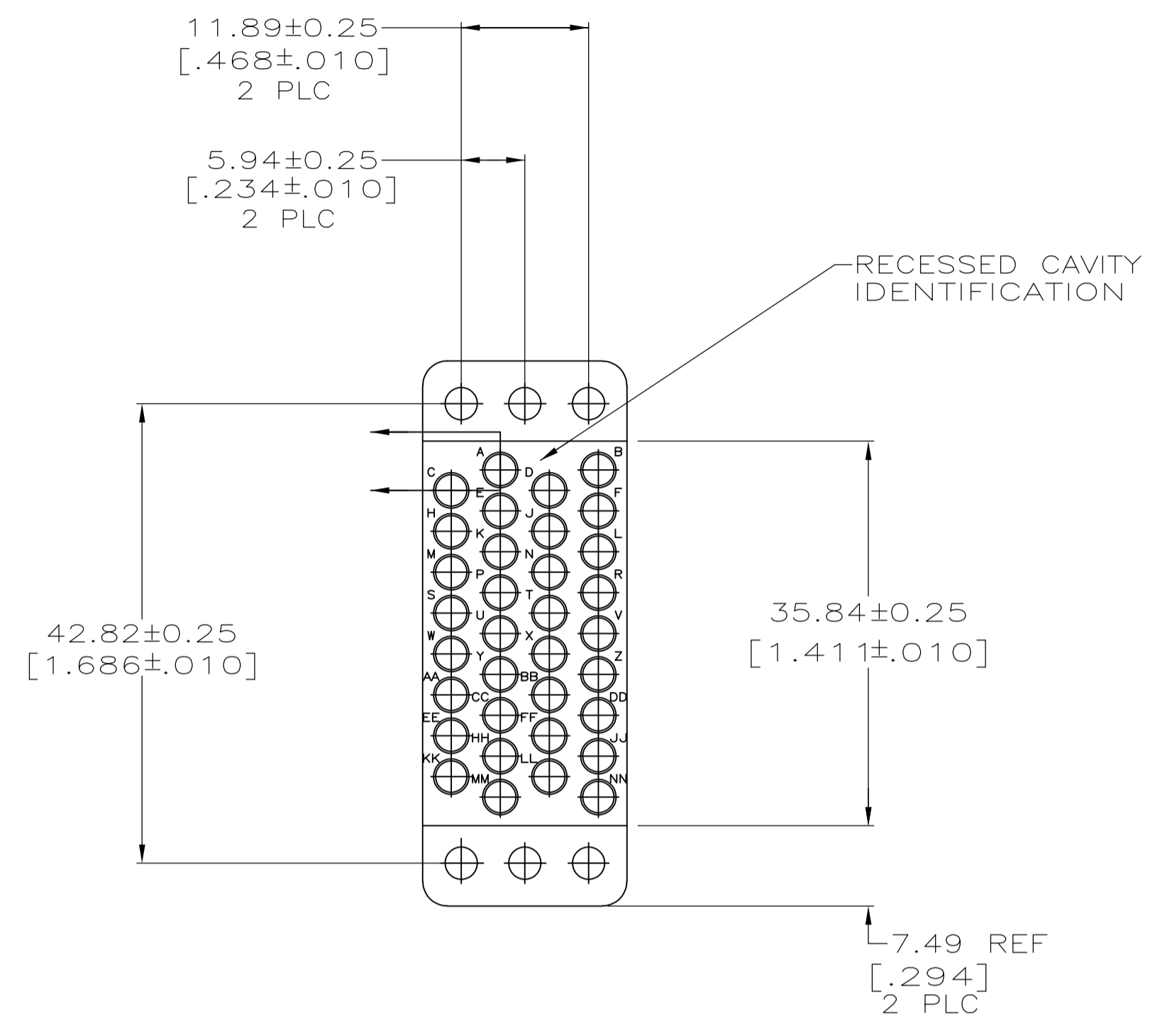


| LOC | | DIST | | REVISIONS | | | |
|-----|-----|---------------------------|---------|-----------|------|--|--|
| P | LTR | DESCRIPTION | DATE | DN | APVD | | |
| A | | REVISED PER ECO-07-018540 | 8/17/07 | SS | GS | | |
| A1 | | REVISED PER ECO-09-021826 | 07JAN10 | KK | AEG | | |



RECOMMENDED PANEL CUTOUT

1 OBSOLETE PARTS: OBSOLETE CIS STREAMLINING PER D.RENAUD/D.SINISI

| |
|-------------|
| 213800-2 |
| 213800-1 |
| PART NUMBER |

| | | | | | |
|--|------------|-------------------------|--|---|--|
| THIS DRAWING IS A CONTROLLED DOCUMENT. | | DIN D.BROCKWAY 08-11-94 | | Tyco Electronics Corporation | |
| DIMENSIONS: INCHES | | CIR R.STONE 09-08-94 | | Tyco Electronics Corporation Harrisburg, PA 17105-3608 | |
| TOLERANCES UNLESS OTHERWISE SPECIFIED: | | APVD | | NAME | |
| 0 PLC ± - | 1 PLC ± - | - | | PRODUCT SPEC | |
| 2 PLC ± 0.13 [.005] | 3 PLC ± - | - | | APPLICATION SPEC | |
| 4 PLC ± - | ANGLES ± - | - | | SIZE | |
| MATERIAL POLYESTER, BLACK | FINISH - | WEIGHT - | | A1 00779 C=213800 | |
| CUSTOMER DRAWING | | | | SCALE 2:1 SHEET 1 OF 1 REV A1 | |