

8

7

6

5

4

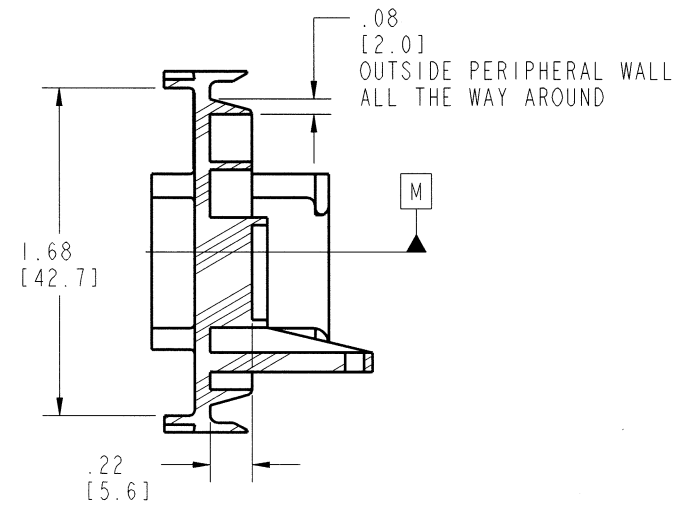
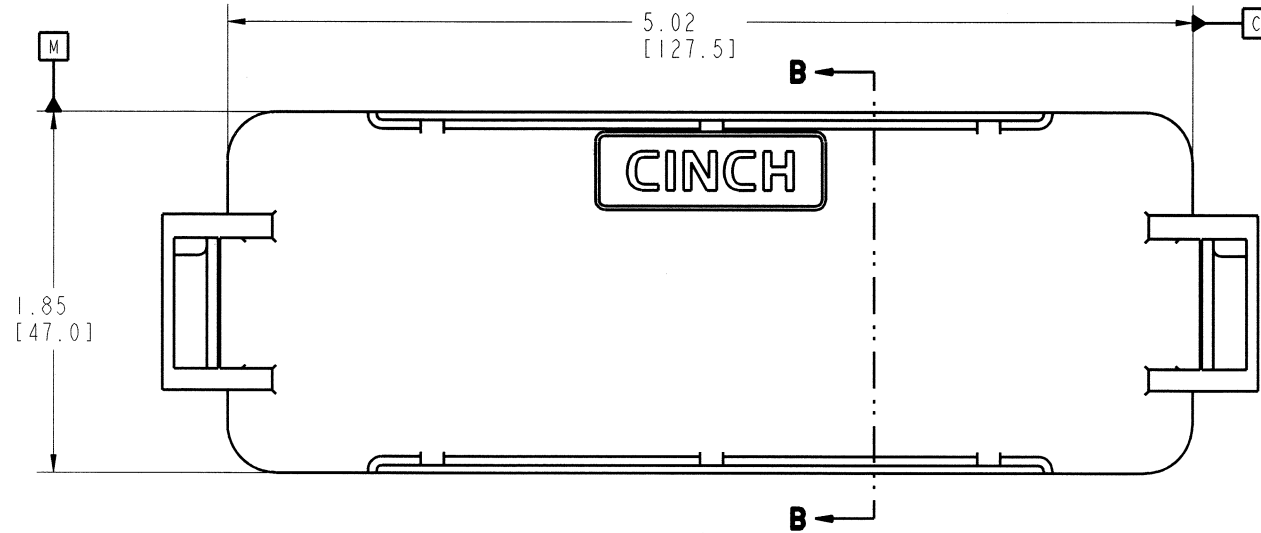
3

2

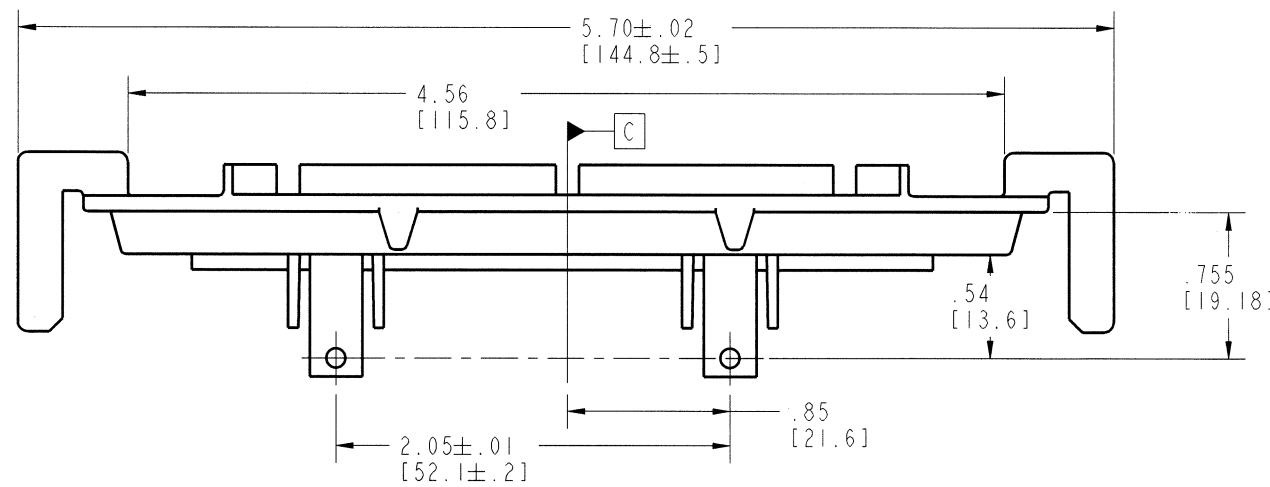
1

DRAWING REVISIONS

REV	DOCUMENT	APP	DATE
A	RELEASE DO 07-1064	A.C.	6/29/07

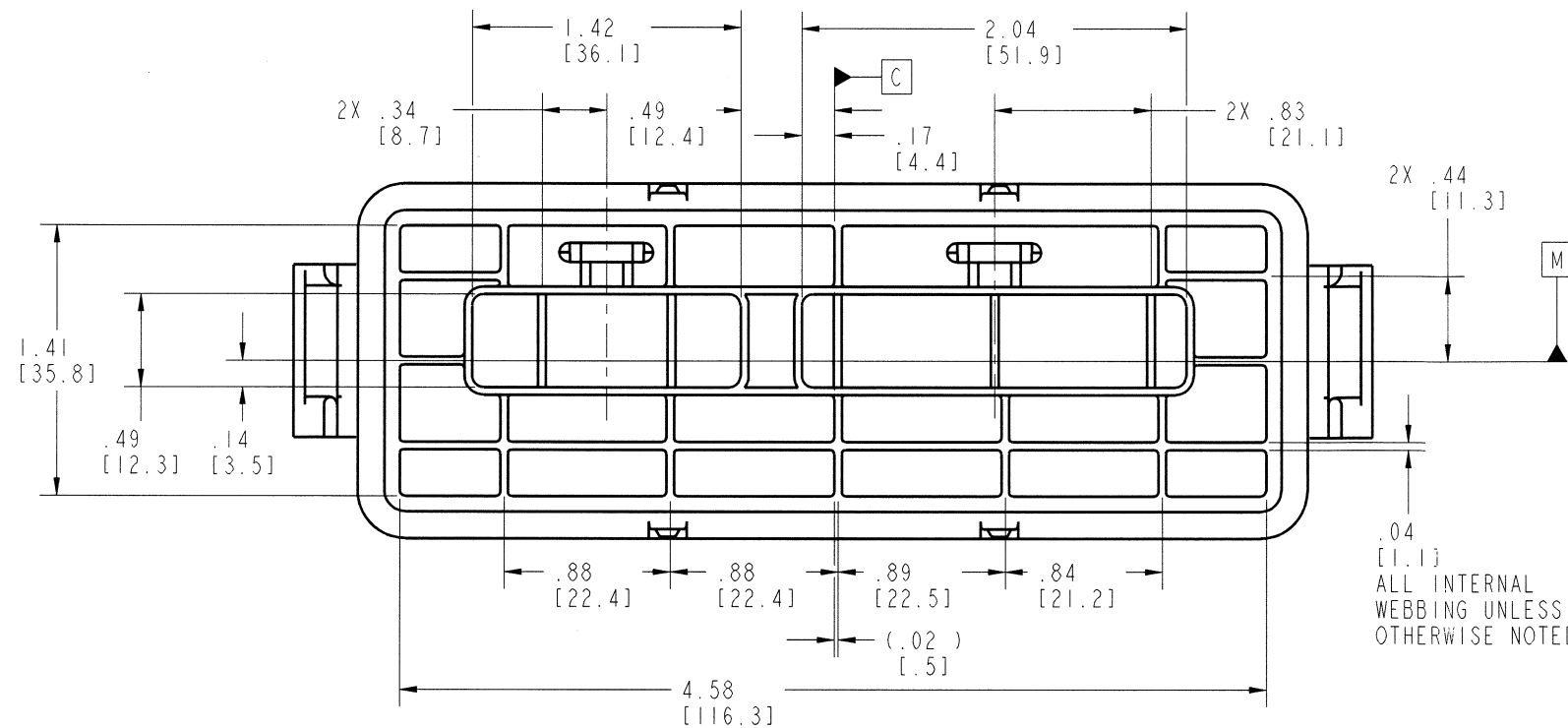


SECTION B-B



NOTES:

1. ALL DIMENSIONS ARE IN INCHES; DIMENSION INSIDE [.XX] ARE IN MM, AS REF. ONLY.
2. MATERIAL: 30 % GLASS FILLED POLYMER, COLOR: BLACK
3. ALL HEADERS ARE REFLOW OR WAVE SOLDERING PROCESS, ROHS COMPLIANT.
4. THERMALLY CONDUCTIVE ADHESIVE PASTE SOLD SEPARATELY: RECOMMENDED IS LOCTITE 383.
5. MOSFET SPRING PLATES ARE SOLD SEPARATELY (FOR INSTALLATION REFER TO ENCLOSURE ASSEMBLY INSTRUCTIONS) SPRING LABELED AS "L" IS CINCH P/N: 581 00 00 020 AND SPRING LABELED AS "R" IS CINCH P/N: 581 00 00 021. (IT IS RECOMMENDED THAT THE FOUR SLOTS BE PROTECTED DURING CONFORMAL COATING)
6. STANDARD PACKAGE SIZE: 72 PARTS/CARTON BOX.



.04 [1.1] ALL INTERNAL WEBBING UNLESS OTHERWISE NOTED

RoHS COMPLIANT

UNITS	ENGLISH INCHES	PRO/E	Cinch		MODELED BY: A. ECKHART
DO NOT SCALE DRAWING	DRAWN BY A. ECKHART	DATE 5/28/07	TITLE MODICE SE HEADER BLANK		1700 FINLEY RD LOMBARD, IL. 60148
UNLESS OTHERWISE SPECIFIED: ALL DIMENSIONS ARE IN INCHES	DESIGN ENGINEER A. Eckhart	DATE 6/28/07	MATERIAL		CONTROL SPEC NUMBER
FILLET/RADII 02 MAX	TOLERANCES X ± .1 XX ± .01 XXX ± .005 ANGULAR ± .5°	DESIGN ENGINEERING MGR A.C. Eckhart	DATE 6/29/07	MATERIAL SPEC NUMBER	FINISH
THIS DOCUMENT IS THE PROPERTY OF CINCH. NEITHER THIS DOCUMENT NOR ANY OF THE INFORMATION CONTAINED IN IT MAY BE DUPLICATED OR DISCLOSED WITHOUT PRIOR WRITTEN CONSENT OF CINCH.	QUALITY ASSURANCE J. Gale	DATE 8/15/07	CAD FILE NUMBER 5810000027S	DRAWING NUMBER 581 00 00 027 S	PROJECT NUMBER A14562
		DATE 8/22/07	CAGE IDENT NO. SIZE 71785 B	SCALE 1:1	SHEET 1 OF 5

8

7

6

5

4

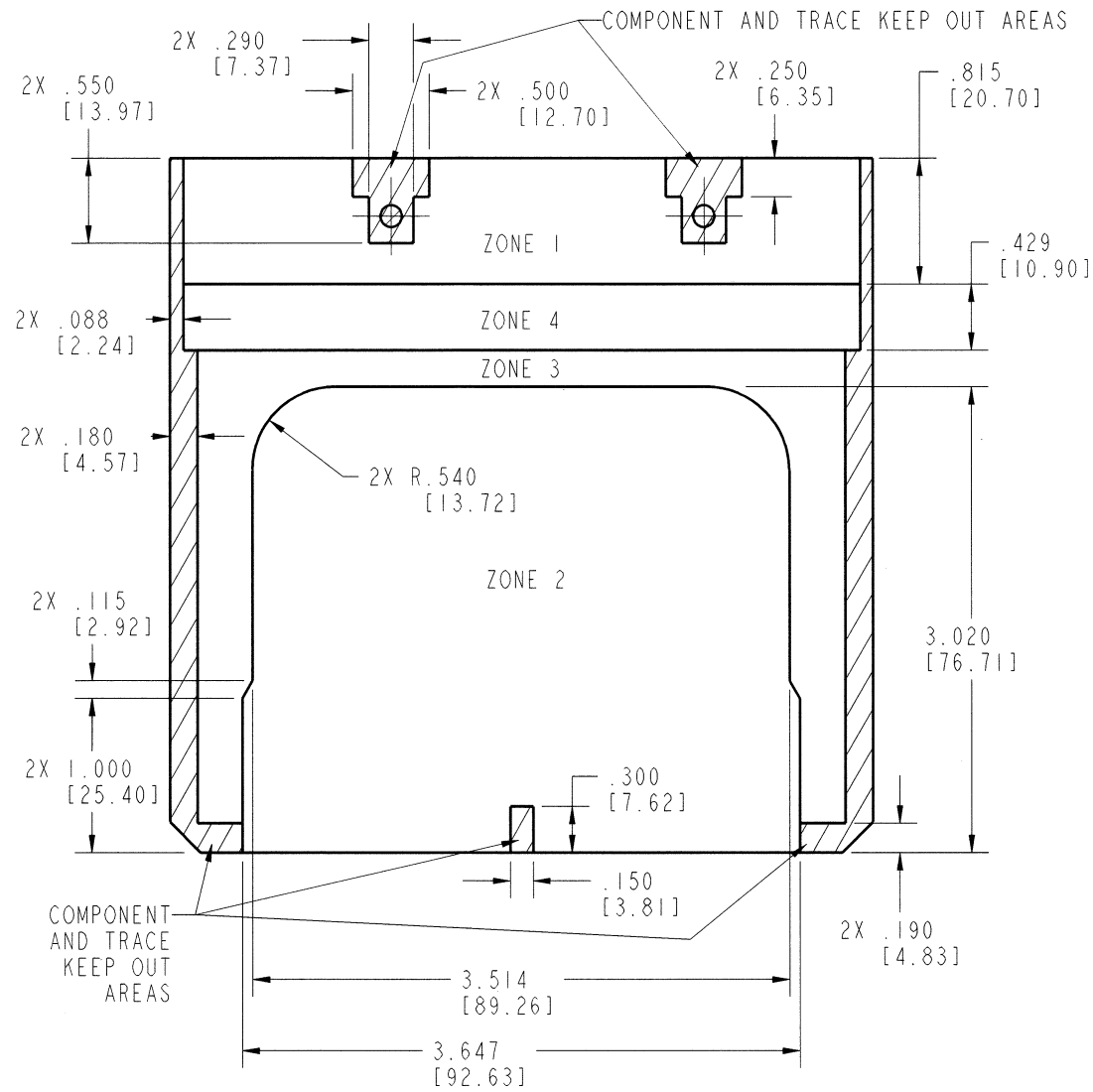
3

2

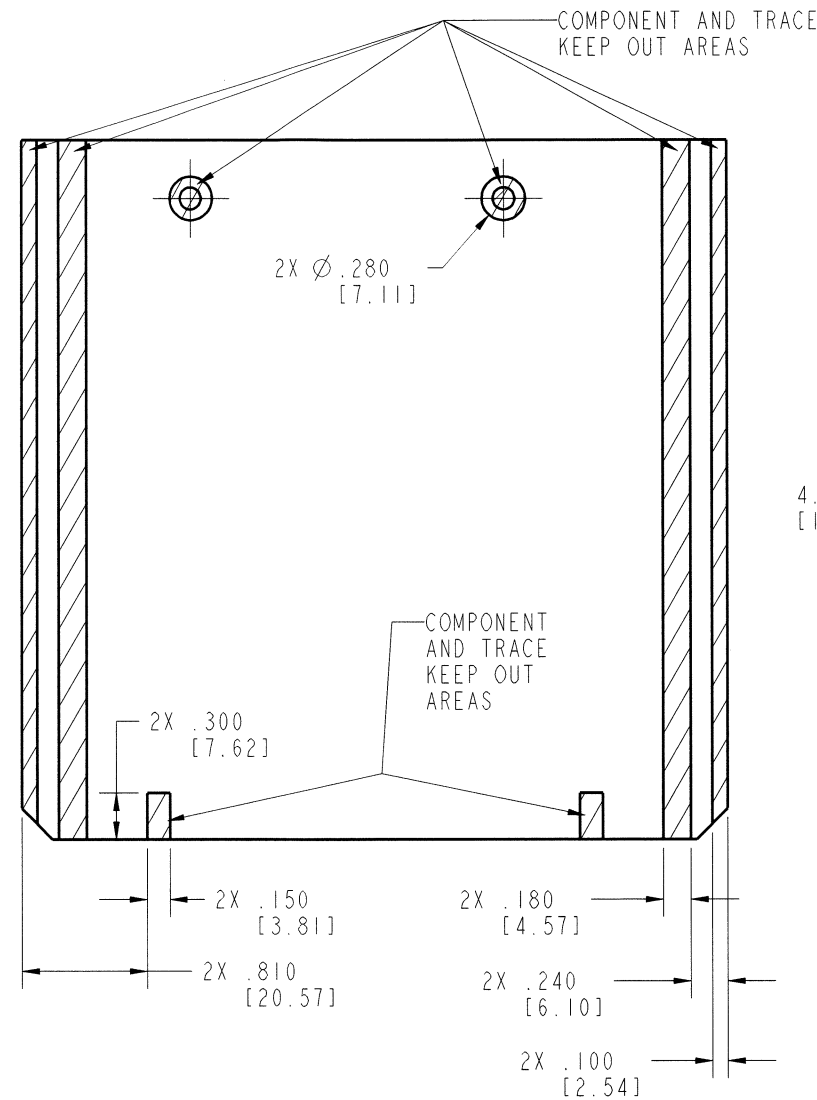
1

PCB LAYOUT WITHOUT HEAT SINKS

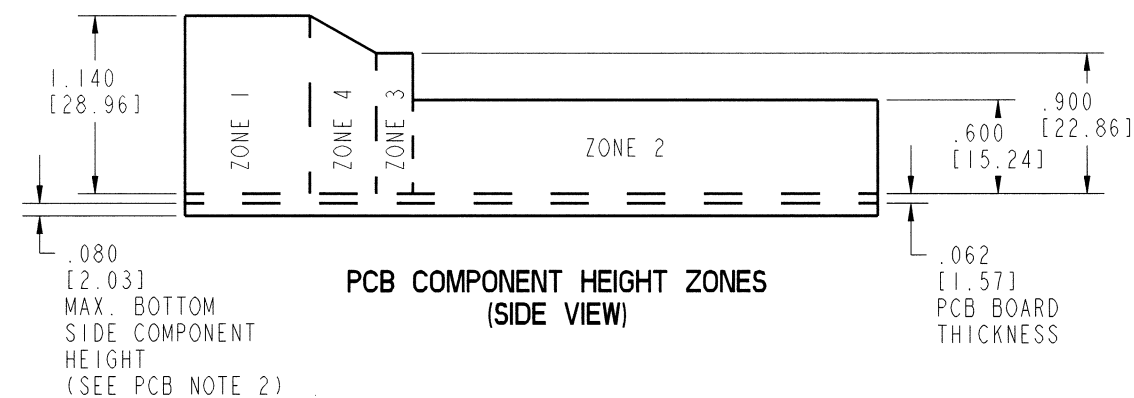
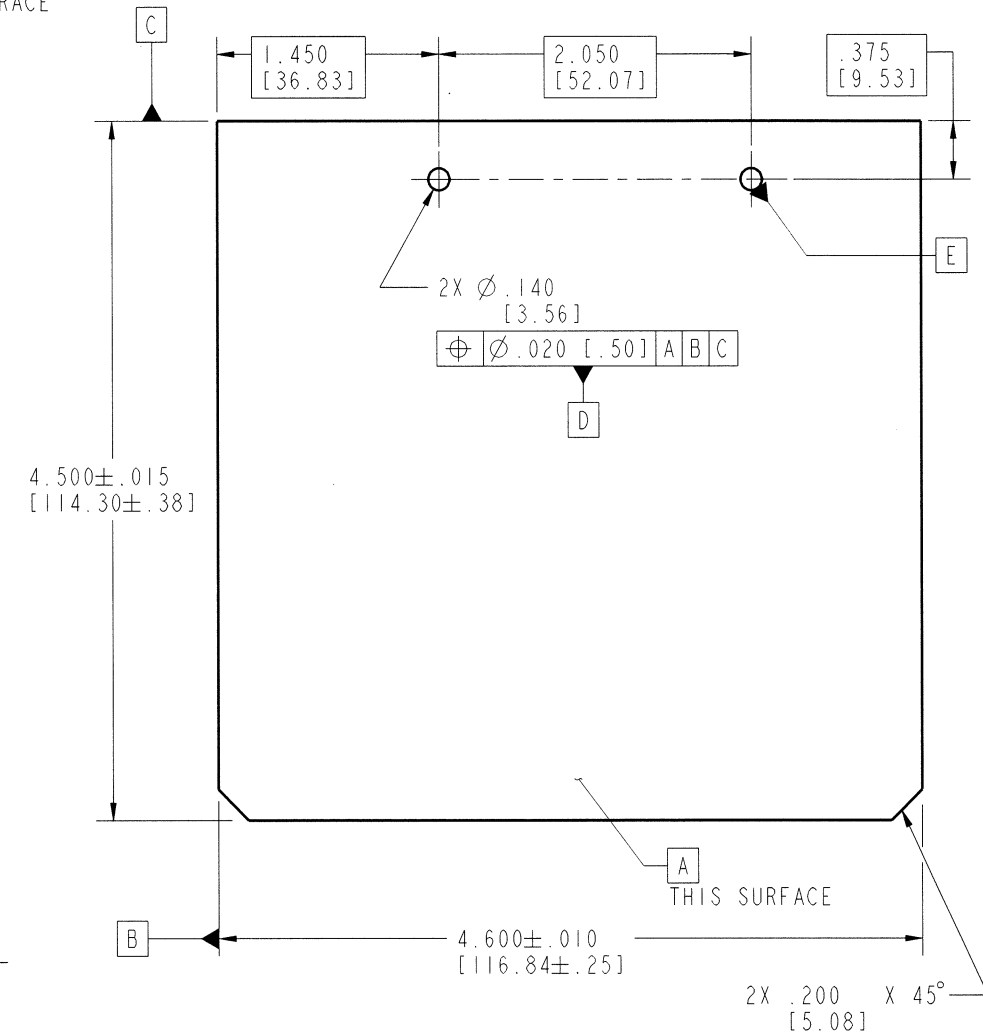
PCB TOP SIDE GENERAL ZONING & KEEP OUT AREAS



PCB BOTTOM SIDE GENERAL ZONING & KEEP OUT AREAS



PCB OVERALL DIMENSIONS AND HOLE LOCATIONS



PCB COMPONENTS HEIGHT LIMIT				
	ZONE 1	ZONE 2	ZONE 3	ZONE 4
MAX. HEIGHT FOR COMPONENTS (ABOVE PCB)	1.140"	.600"	.900"	SEE PCB NOTE 3

PCB NOTES:

- ON BOTTOM SIDE OF THE PCB, COMPONENTS OR TRACES MUST BE MIN. .100" AWAY FROM THE EDGE OF THE PCB.
- THE BOTTOM SIDE OF THE PCB SHOULD NOT HAVE COMPONENTS OR LEADS THAT EXTEND HIGHER THAN .080" (SEE PG. 5 SIDE VIEW).
- AREA HAS VARIABLE HEIGHT. SEE PCB COMPONENT HEIGHT ZONES VIEW FOR DETAILS.

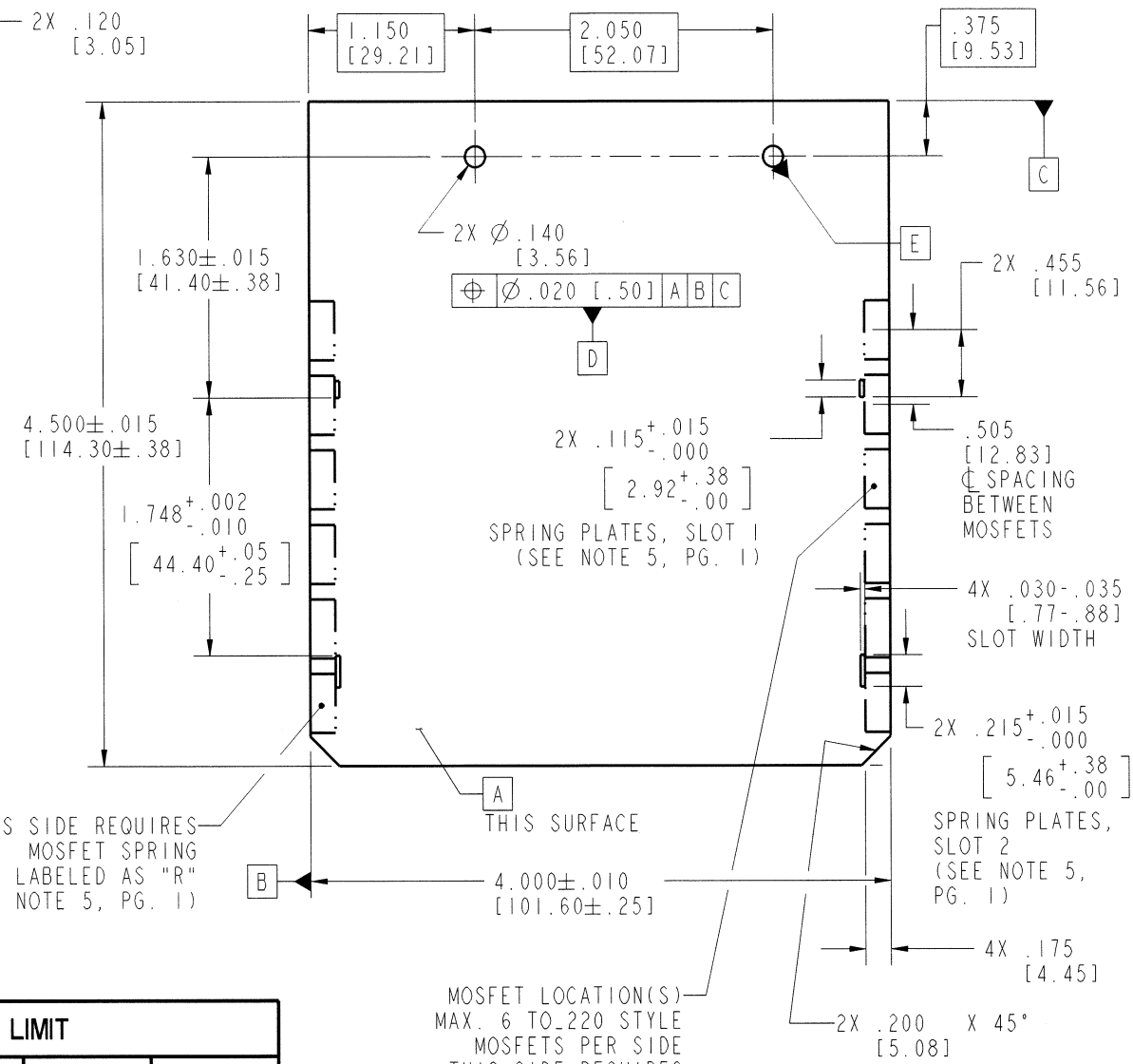
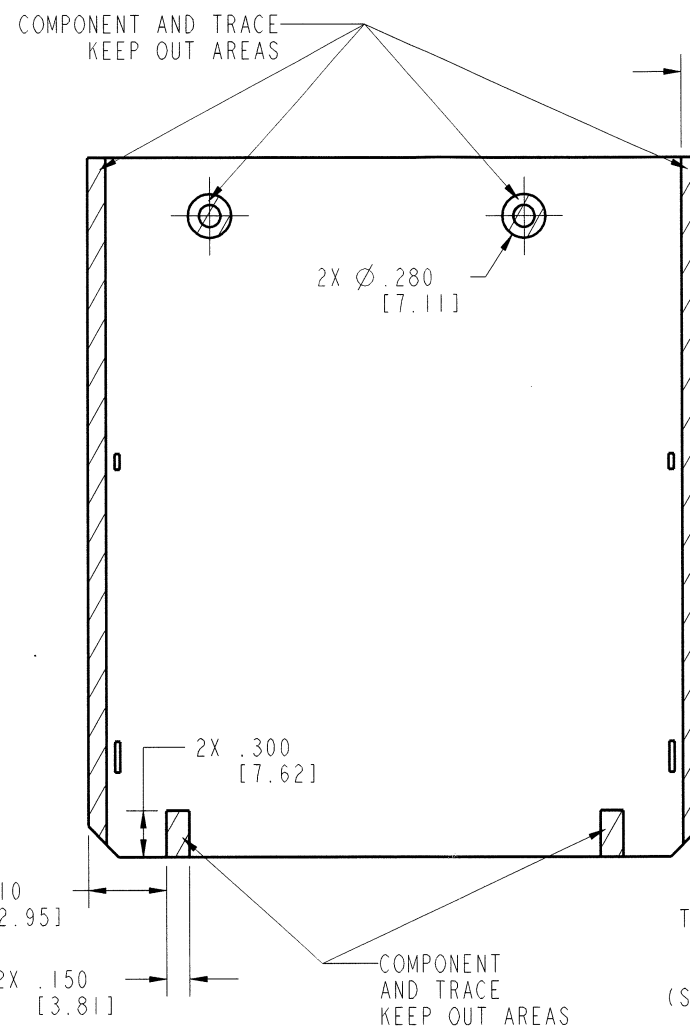
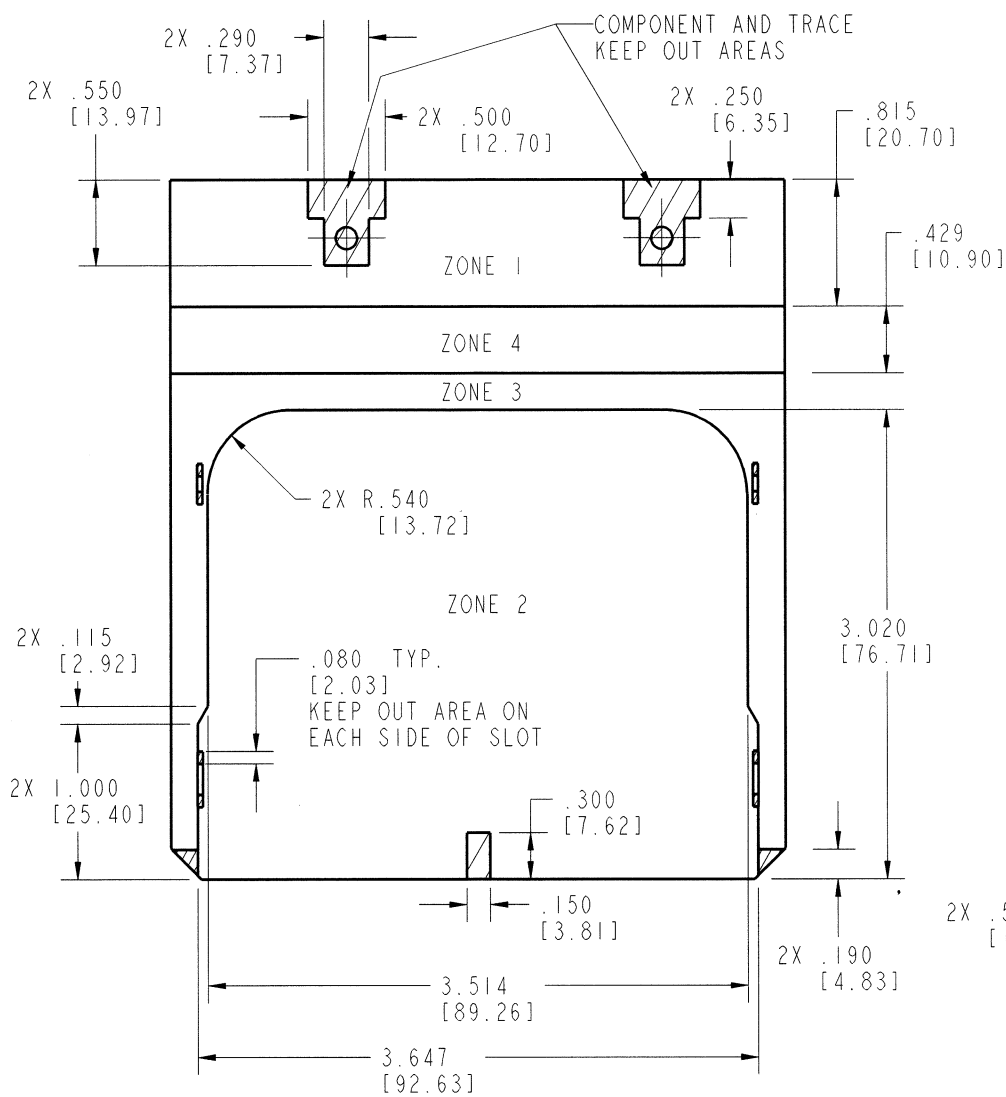
UNITS		Cinch		1700 FINLEY RD. LOMBARD, IL. 60148	
ENGLISH INCHES		MODICE SE HEADER BLANK		PRO/E DRAWING	
DO NOT SCALE DRAWING		TITLE		DRAWING NUMBER	
UNLESS OTHERWISE SPECIFIED: ALL DIMENSIONS ARE IN INCHES		581000027S		581 00 00 027 S	
FILLET/RADII: .02 MAX		CAGE IDENT NO. SIZE		REV	
TOLERANCES: X ± .1, XX ± .01, XXX ± .005, ANGULAR ± .5°		71785 B		A	
THIS DOCUMENT IS THE PROPERTY OF CINCH. NEITHER THIS DOCUMENT NOR ANY OF THE INFORMATION CONTAINED IN IT MAY BE DUPLICATED OR DISCLOSED WITHOUT PRIOR WRITTEN CONSENT OF CINCH.		SCALE		SHEET 2 OF 5	
		4:5			

PCB LAYOUT WITH TWO HEAT SINKS

PCB TOP SIDE GENERAL ZONING & KEEP OUT AREAS

PCB BOTTOM SIDE GENERAL ZONING & KEEP OUT AREAS

PCB OVERALL DIMENSIONS AND HOLE LOCATIONS

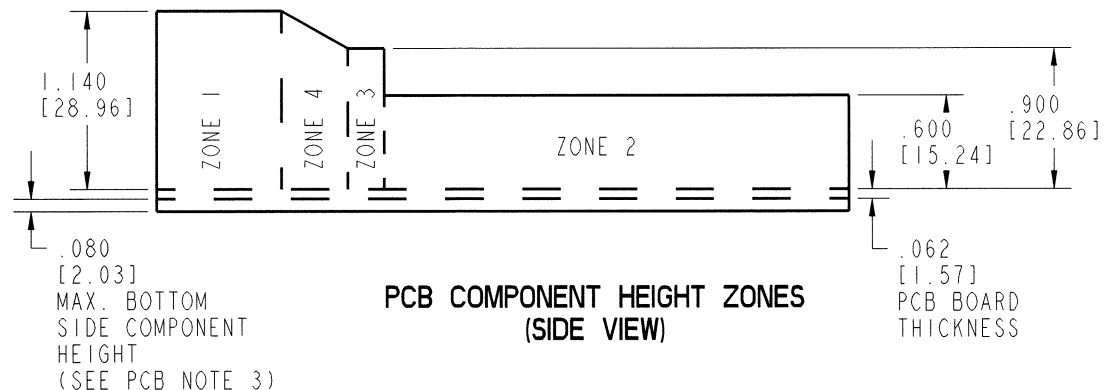


THIS SIDE REQUIRES MOSFET SPRING LABELED AS "R" (SEE NOTE 5, PG. 1)

MOSFET LOCATION(S) MAX. 6 TO-220 STYLE MOSFETS PER SIDE THIS SIDE REQUIRES MOSFET SPRING LABELED AS "L" (SEE NOTE 5, PG. 1)

PCB COMPONENTS HEIGHT LIMIT				
	ZONE 1	ZONE 2	ZONE 3	ZONE 4
MAX. HEIGHT FOR COMPONENTS (ABOVE PCB)	1.140"	.600"	.900"	SEE PCB NOTE 4

- PCB NOTES:
- IF MOSFETS SPRINGS ARE USED, ZONE 3 SHOULD CONTAIN ONLY MOSFETS AND TRACES BETWEEN THE SPRINGS AND EDGE OF THE BOARD.
 - ON BOTTOM SIDE OF THE PCB, COMPONENTS OR TRACES MUST BE MIN. .100" AWAY FROM THE EDGE OF THE PCB.
 - THE BOTTOM SIDE OF THE PCB SHOULD NOT HAVE COMPONENTS OR LEADS THAT EXTEND HIGHER THAN .080" (SEE PG. 5 SIDE VIEW).
 - AREA HAS VARIABLE HEIGHT. SEE PCB COMPONENT HEIGHT ZONES VIEW FOR DETAILS.



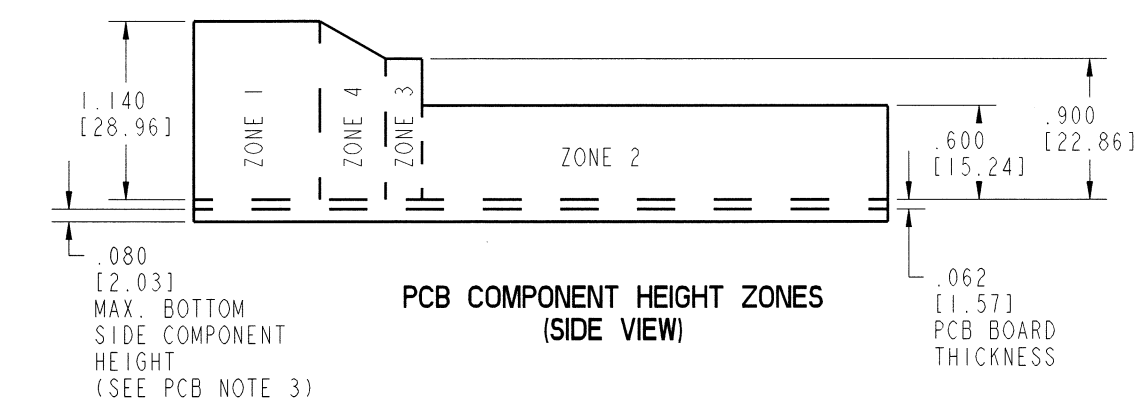
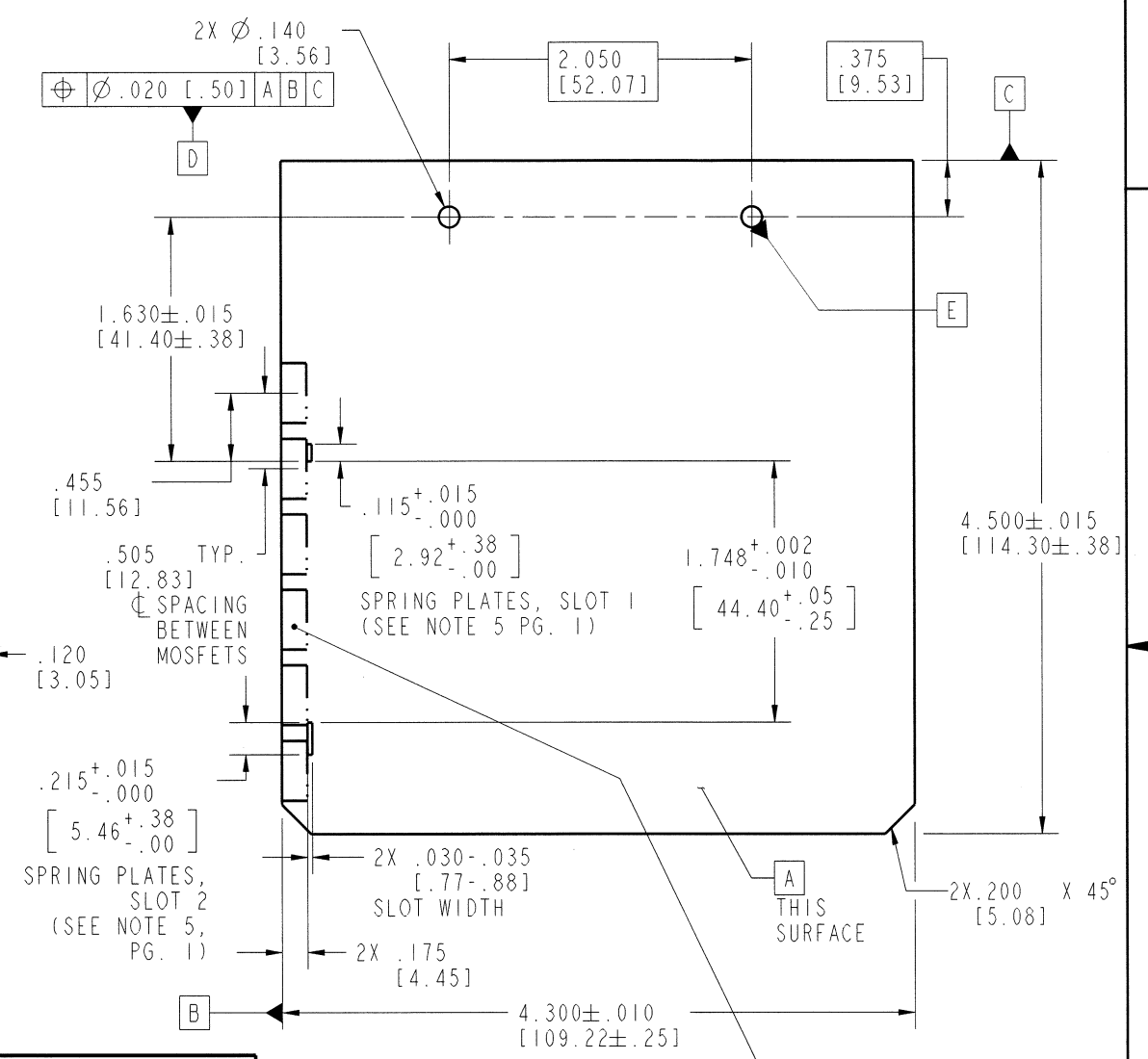
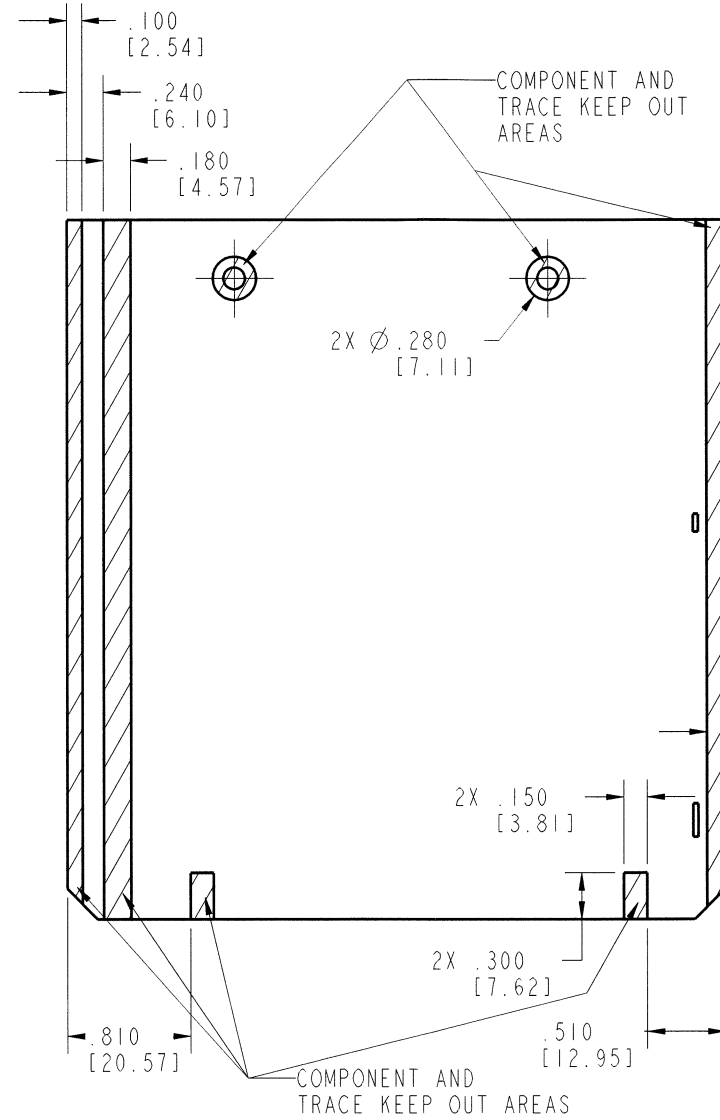
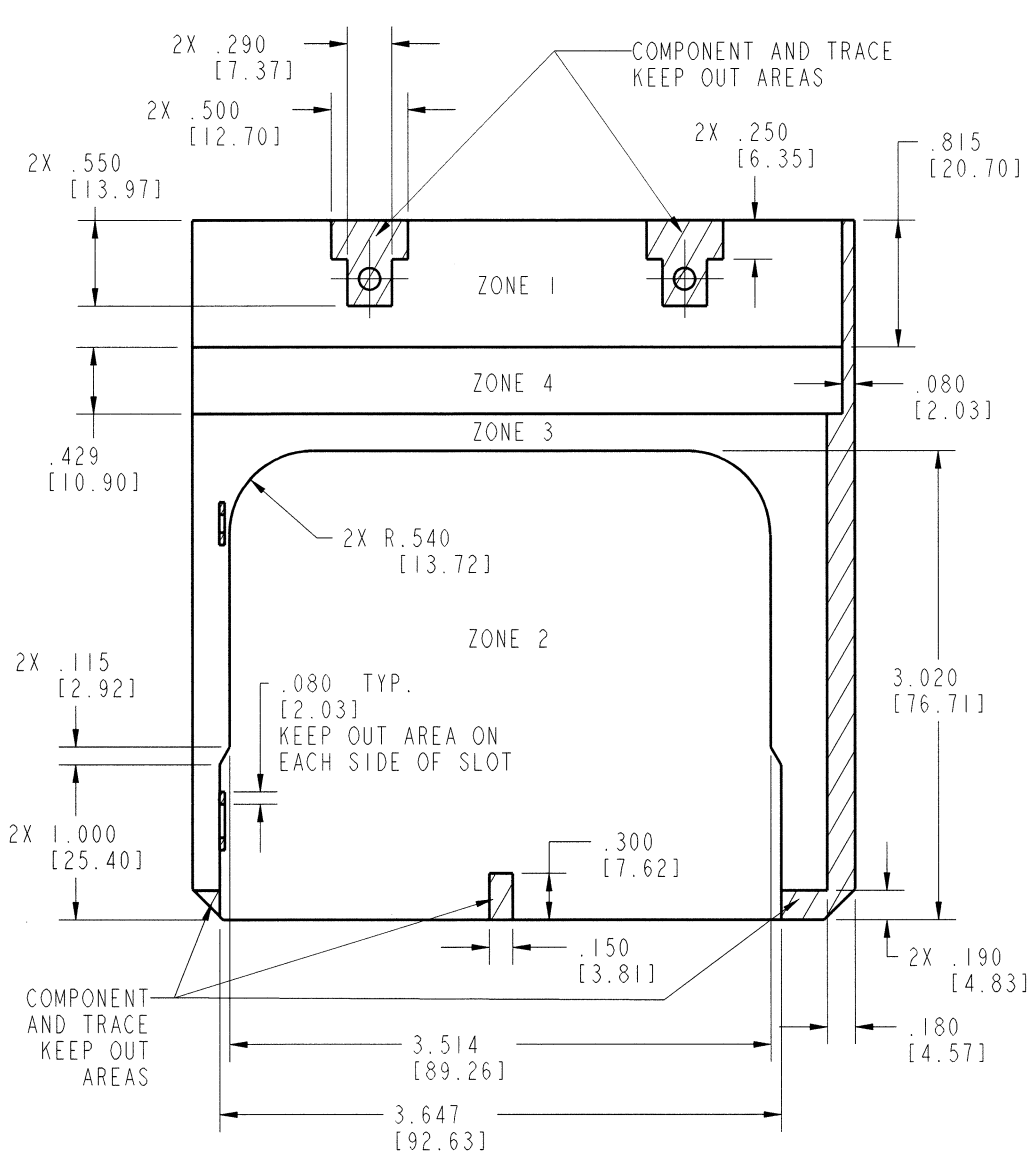
UNITS ENGLISH INCHES		Cinch 1700 FINLEY RD. LOMBARD, IL. 60148
DO NOT SCALE DRAWING		
UNLESS OTHERWISE SPECIFIED: ALL DIMENSIONS ARE IN INCHES		TITLE MODICE SE HEADER BLANK
FILLET/RADII .02 MAX	TOLERANCES X ± .1 .XX ± .01 .XXX ± .005 ANGULAR ± .5°	PRO/E DRAWING
THIS DOCUMENT IS THE PROPERTY OF CINCH. NEITHER THIS DOCUMENT NOR ANY OF THE INFORMATION CONTAINED IN IT MAY BE DUPLICATED OR DISCLOSED WITHOUT PRIOR WRITTEN CONSENT OF CINCH.	CAD FILE NUMBER 581000027S	DRAWING NUMBER 581 00 00 027 S
	CAGE IDENT NO. SIZE 71785 B	SCALE 4:5
		SHEET 3 OF 5

PCB LAYOUT WITH ONE HEAT SINK

PCB TOP SIDE GENERAL ZONING & KEEP OUT AREAS

PCB BOTTOM SIDE GENERAL ZONING & KEEP OUT AREAS

PCB OVERALL DIMENSIONS AND HOLE LOCATIONS



PCB COMPONENTS HEIGHT LIMIT				
	ZONE 1	ZONE 2	ZONE 3	ZONE 4
MAX. HEIGHT FOR COMPONENTS (ABOVE PCB)	1.140"	.600"	.900"	SEE PCB NOTE 4

- PCB NOTES:
- IF MOSFETS SPRINGS ARE USED, ZONE 3 SHOULD CONTAIN ONLY MOSFETS AND TRACES BETWEEN THE SPRINGS AND EDGE OF THE BOARD.
 - ON BOTTOM SIDE OF THE PCB, COMPONENTS OR TRACES MUST BE MIN. .100" AWAY FROM THE EDGE OF THE PCB.
 - THE BOTTOM SIDE OF THE PCB SHOULD NOT HAVE COMPONENTS OR LEADS THAT EXTEND HIGHER THAN .080" (SEE PG. 5 SIDE VIEW).
 - AREA HAS VARIABLE HEIGHT. SEE PCB COMPONENT HEIGHT ZONES VIEW FOR DETAILS.

UNITS ENGLISH INCHES		Cinch		1700 FINLEY RD. LOMBARD, ILL. 60148	
DO NOT SCALE DRAWING		TITLE MODICE SE HEADER BLANK			
UNLESS OTHERWISE SPECIFIED: ALL DIMENSIONS ARE IN INCHES		PRO/E DRAWING			
FILLET/RADII .02 MAX	TOLERANCES X ± .1 XX ± .01 XXX ± .005 ANGULAR ± .5°	CAD FILE NUMBER 581000027S	DRAWING NUMBER 581 00 00 027 S	REV A	
THIS DOCUMENT IS THE PROPERTY OF CINCH. NEITHER THIS DOCUMENT NOR ANY OF THE INFORMATION CONTAINED IN IT MAY BE DUPLICATED OR DISCLOSED WITHOUT PRIOR WRITTEN CONSENT OF CINCH.		CAGE IDENT NO. SIZE 71785 B	SCALE 4:5	SHEET 4 OF 5	

8

7

6

5

4

3

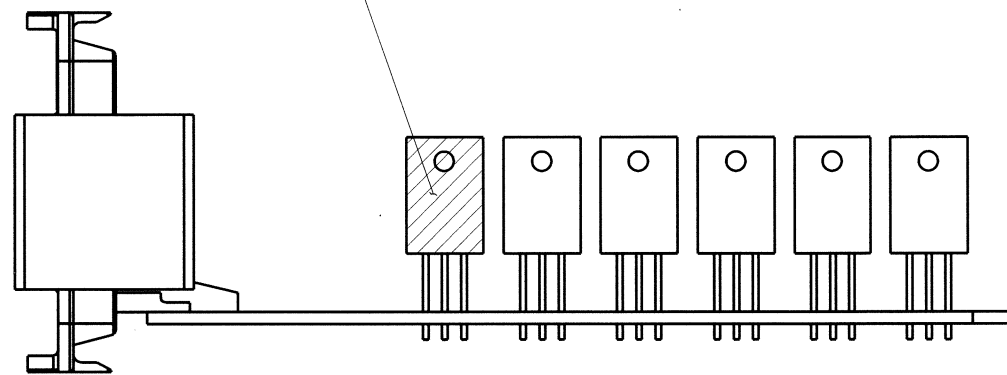
2

1

D

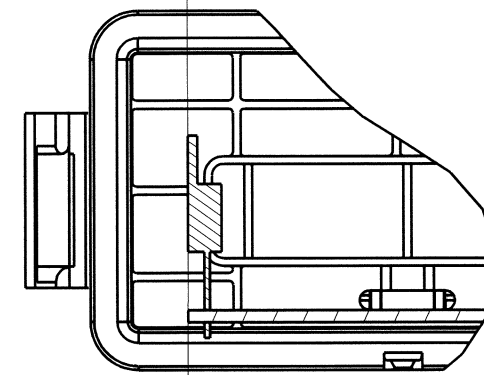
D

APPLY THIN BEAN OF THERMALLY CONDUCTIVE ADHESIVE PASTE TO ENTIRE MOSFET SURFACE. (SEE NOTE 5)



SIDE VIEW
REQUIRED TO-220 PACKAGE PROFILE

FOR EASE OF ASSEMBLY,
IT IS RECOMMENDED THAT
MOSFET(S) BE TILTED UP TO
10° IN POSITIVE DIRECTION
(SEE DOTTED LINE)



MOSFET MUST LIE IN THE SAME
PLANE WITH EDGE OF PCB
(AS SHOWN)

REQUIRES TO-220 PACKAGING PROFILE
PARTIAL SECTION B-B

C

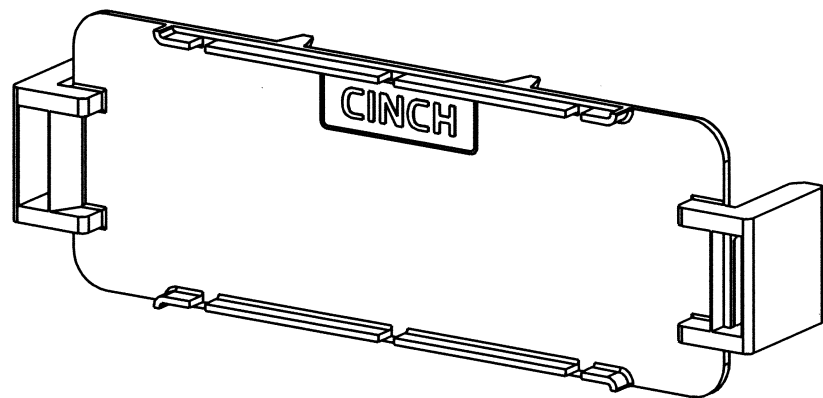
C

B

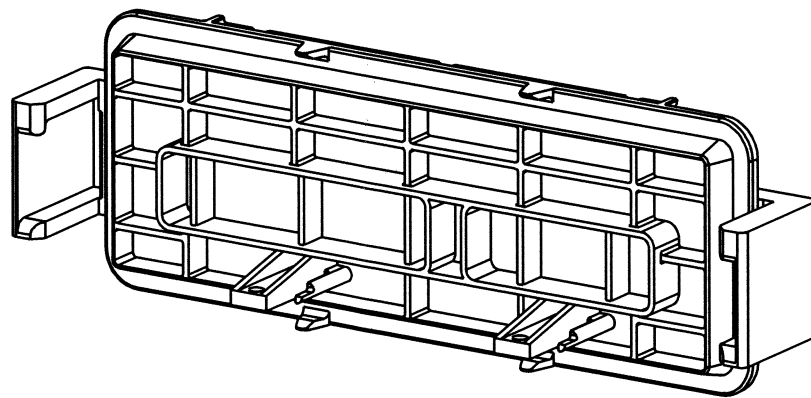
B

B

B



SCALE 4:5



SCALE 4:5

A

A

8

7

6

5

4

3

2

1

UNITS ENGLISH INCHES		Cinch		1700 FINLEY RD. LOMBARD, IL. 60148	
DO NOT SCALE DRAWING		TITLE MODICE SE HEADER BLANK			
UNLESS OTHERWISE SPECIFIED: ALL DIMENSIONS ARE IN INCHES		PRO/E DRAWING			
FILLET/RADII .02 MAX	TOLERANCES .X ± .1 .XX ± .01 .XXX ± .005 ANGULAR ± .5°	CAD FILE NUMBER 5810000027S	DRAWING NUMBER 581 00 00 027 S	REV A	
THIS DOCUMENT IS THE PROPERTY OF CINCH. NEITHER THIS DOCUMENT NOR ANY OF THE INFORMATION CONTAINED IN IT MAY BE DUPLICATED OR DISCLOSED WITHOUT PRIOR WRITTEN CONSENT OF CINCH.		CAGE IDENT NO. 71785	SCALE B 1:1	SHEET 5 OF 5	