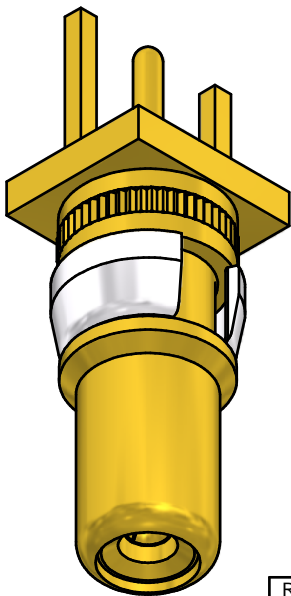
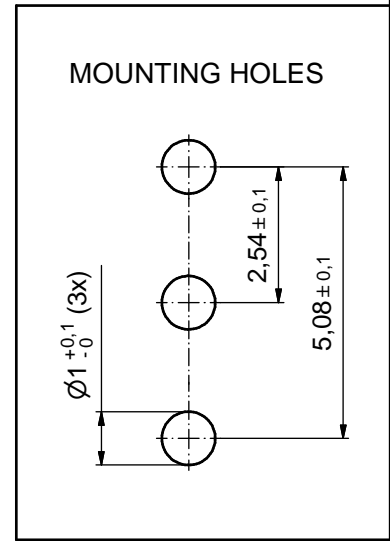
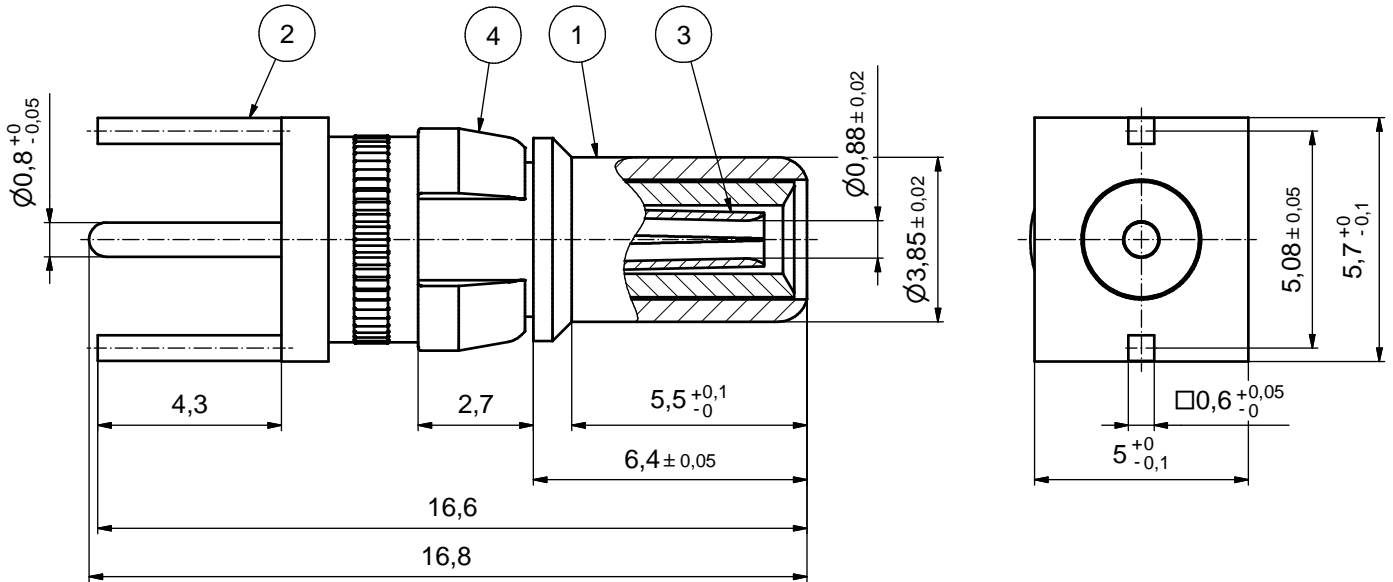


Part no.	Finish Pos. 1	Finish Pos. 2	Finish Pos. 3	Finish Pos. 4
② 131A24019X	GOLD FLASH over NICKEL	GOLD FLASH over NICKEL	GOLD FLASH over NICKEL	NICKEL PLATED
131J24019X	min. 30µin HARD GOLD over min. 50µin NICKEL	GOLD FLASH over NICKEL	min. 50µin HARD GOLD over min. 50µin NICKEL	NICKEL PLATED



RoHS compliant

THIS DRAWING MAY NOT BE COPIED OR REPRODUCED IN ANY WAY, AND MAY NOT BE PASSED ON TO A THIRD PARTY WITHOUT WRITTEN PERMISSION. OWNERSHIP AND COPYRIGHT OF CONEC GmbH DO NOT ALTER CAD DRAWING BY HAND				tolerance		scale: 8:1		
				dim. in mm		material: siehe Stückliste		
				date	name	title:		
				drawn 23.08.01	Parei	KOAXIALKONTAKTSTIFT 50 OHM		
				appd. 23.08.01	E. Mickenbecker	LÖTANSCHLUß GERADE (76) MIT 3 PINS D-SUB COMBINATION		
			norm		dwg no:	DIN-A3		
			d-old		13K2A038A	sh: 1		
1 x b	Ä6239	14.07.2016	Lehm.	<b>CONEC</b> ®			part no:	SEE TABLE
a	Original							
rev.	description	date	name					