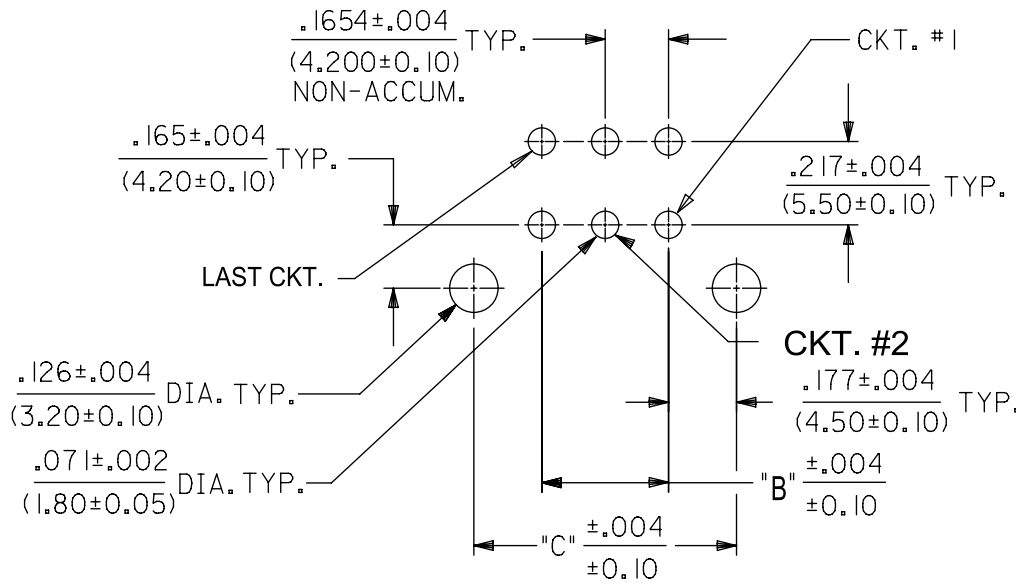
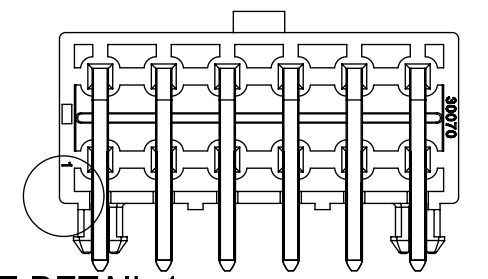


BLACK FLANGE MOUNT HEADERS

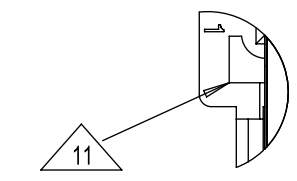
CKT. SIZE	PART NUMBER	ENG NUMBER	PLATING	DIM "A"	DIM "B"	DIM "C"	DIM "D"	PACKAGING	
2	15-97-8022	30070-02A3	TIN	.213		.354	.606	BULK	
	15-97-8027	30070-02A1	GOLD	(5.40)		(9.00)	(15.40)		
4	15-97-8042	30070-04A3	TIN	.378	.165	.520	.772		
	15-97-8047	30070-04A1	GOLD	(9.60)	(4.20)	(13.20)	(19.60)		
6	15-97-8062	30070-06A3	TIN	.543	.331	.685	.937		
	15-97-8067	30070-06A1	GOLD	(13.80)	(8.40)	(17.40)	(23.80)		
8	15-97-8082	30070-08A3	TIN	.709	.496	.850	1.102		
	15-97-8087	30070-08A1	GOLD	(18.00)	(12.60)	(21.60)	(28.00)		
10	15-97-8102	30070-10A3	TIN	.874	.661	1.016	1.268		TRAY
	15-97-8107	30070-10A1	GOLD	(22.20)	(16.80)	(25.80)	(32.20)		
12	15-97-8122	30070-12A3	TIN	1.039	.827	1.181	1.433		
	15-97-8127	30070-12A1	GOLD	(26.40)	(21.00)	(30.00)	(36.40)		
16	15-97-8162	30070-16A3	TIN	1.370	1.157	1.512	1.764		
	15-97-8167	30070-16A1	GOLD	(34.80)	(29.40)	(38.40)	(44.80)		



RECOMMENDED HOLE LAYOUT FOR .070/(1.78) MAX. P.C. BOARD
VIEWED FROM COMPONENT SIDE OF BOARD

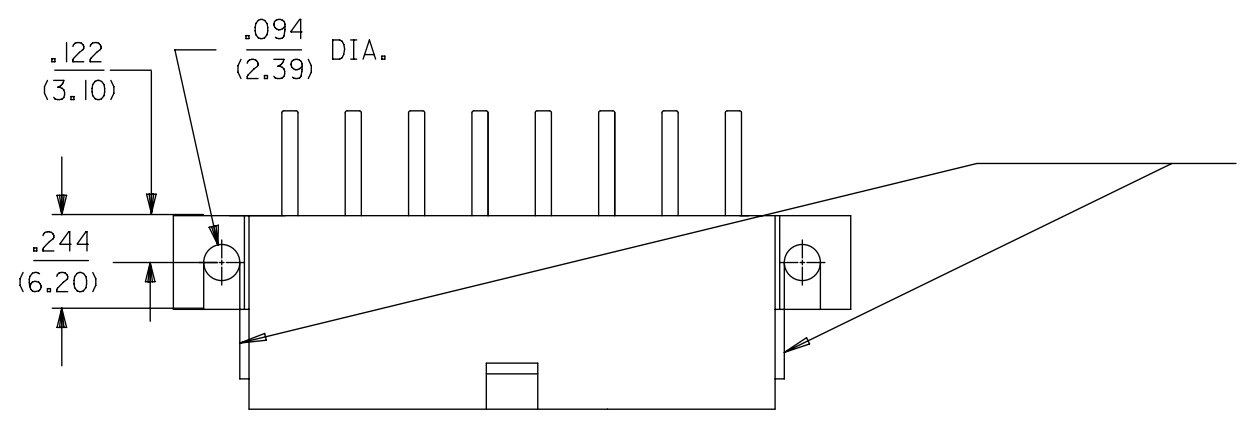


SEE DETAIL 1



DETAIL 1
SCALE 4:1

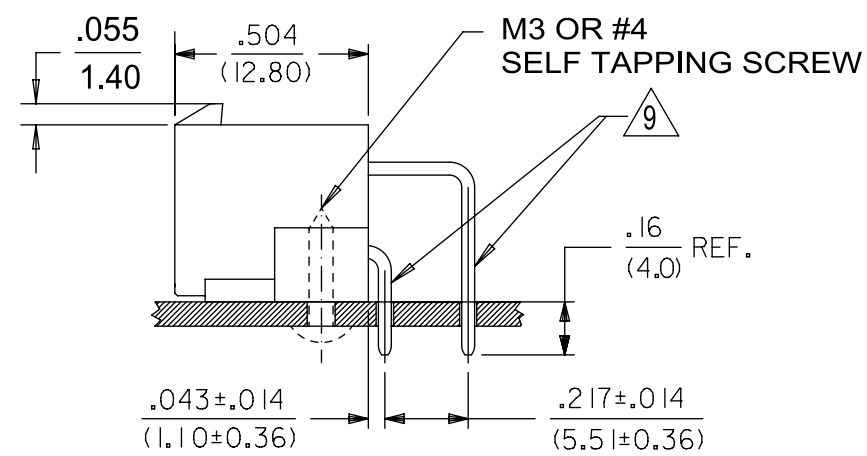
APPLIES TO ALL
CIRCUIT SIZES
BOTH PEGGED
AND FLANGED



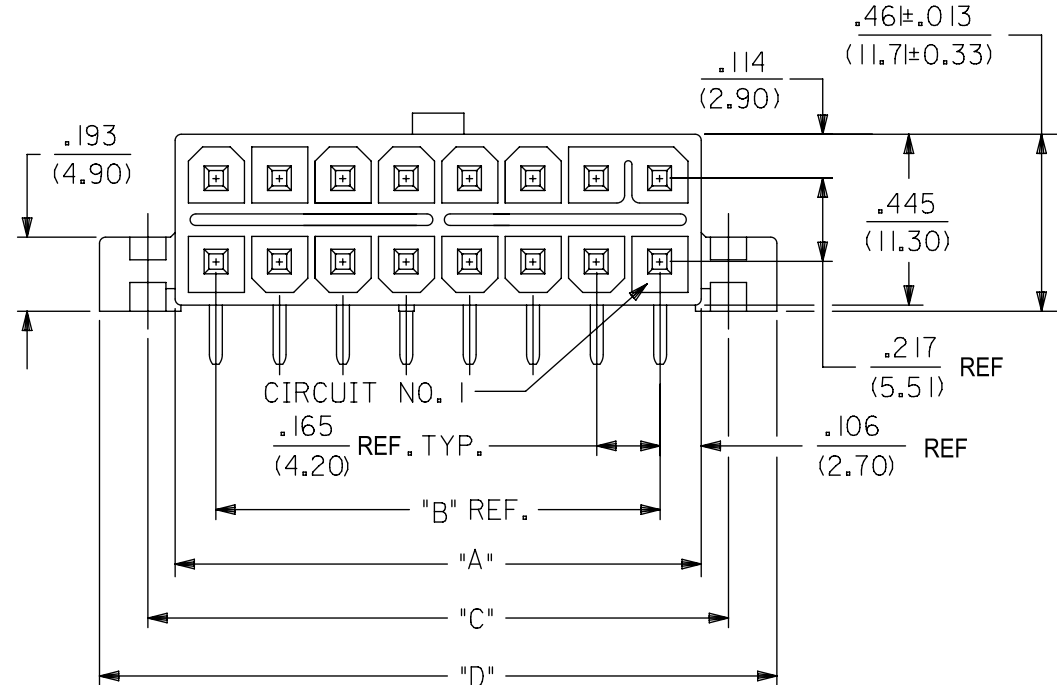
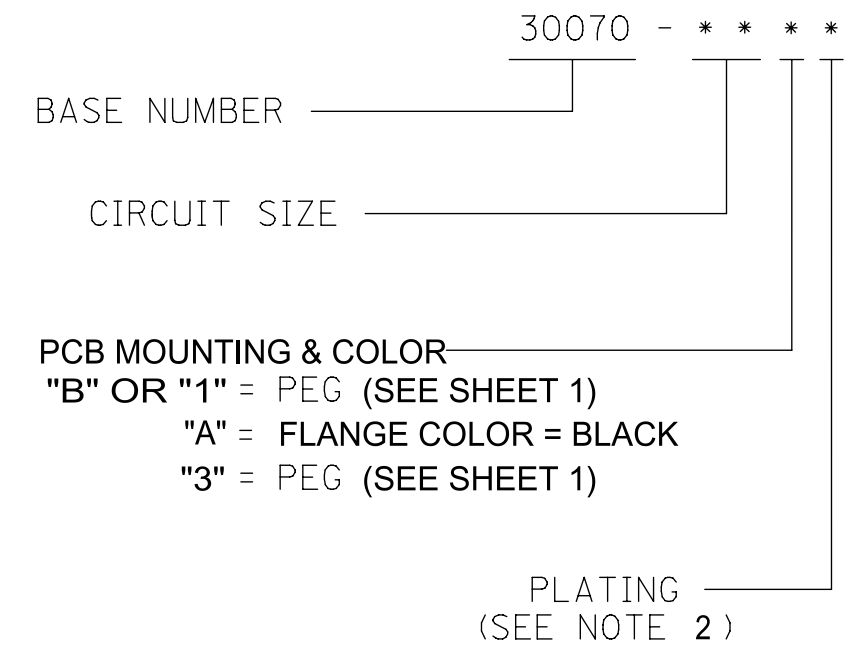
THIS FEATURE IS NOT PRESENT ON
12 AND 16 CIRCUIT PARTS.

OPTION 2 FLANGE MOUNT

SEE SHEET 1 FOR PEG MOUNT



FINISHED PART LEGEND



QUALITY SYMBOLS	THIS DRAWING CONTAINS INFORMATION THAT IS PROPRIETARY TO MOLEX ELECTRONIC TECHNOLOGIES, LLC AND SHOULD NOT BE USED WITHOUT WRITTEN PERMISSION			
	ADD DETAIL 1 VIEW	DRWN: CSLAFTER	CHK'D:	APPR: FSMITH
▽ = 0	EC NO: 107415	2016/08/10	2016/09/23	2016/09/23
▽ = 0	GENERAL TOLERANCES (UNLESS SPECIFIED)	DIMENSION UNITS	SCALE	
▽ = 0		IN/MM	2:1	
▽ = 0	4 PLACES ± ±	DRWN BY	DATE	
▽ = 0	3 PLACES ± ± 0.01	TGREGORI	2006/03/28	
▽ = 0	2 PLACES ± 0.25 ± 0.014	CHK'D BY	DATE	
▽ = 0	1 PLACES ± 0.36 ±	JCOMERCI	2006/03/28	
▽ = 0	0 PLACES ± ±	APPR BY	DATE	
▽ = 0	ANGULAR TOL + 0.5	FSMITH	2010/04/09	
▽ = 0	DRAFT WHERE APPLICABLE MUST REMAIN WITHIN DIMENSIONS	DRAWING SIZE	THIRD ANGLE PROJECTION	
▽ = 0		C		
RELEASE STATUS	P1	RELEASE DATE	23.09.2016	15:46:32