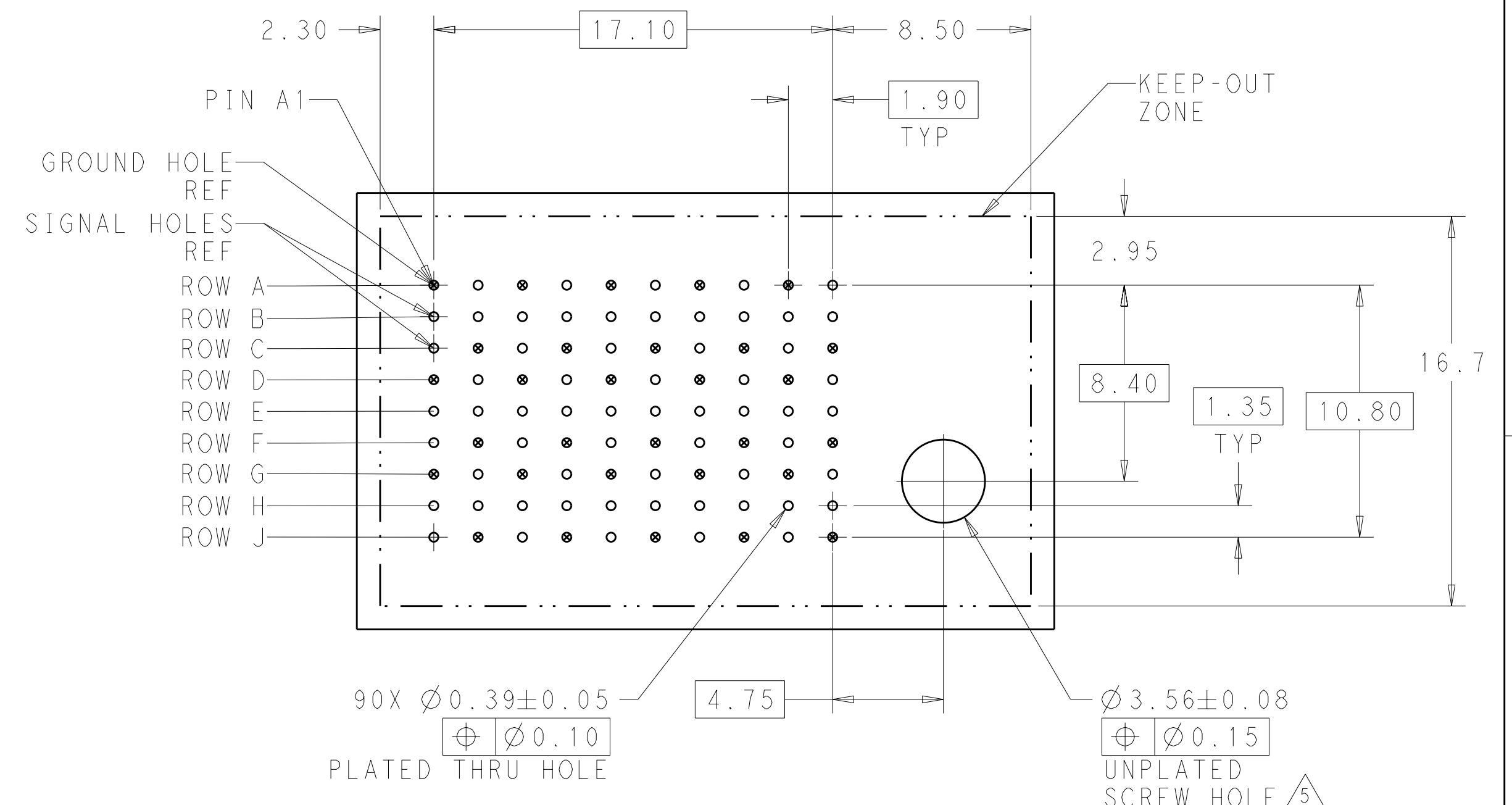
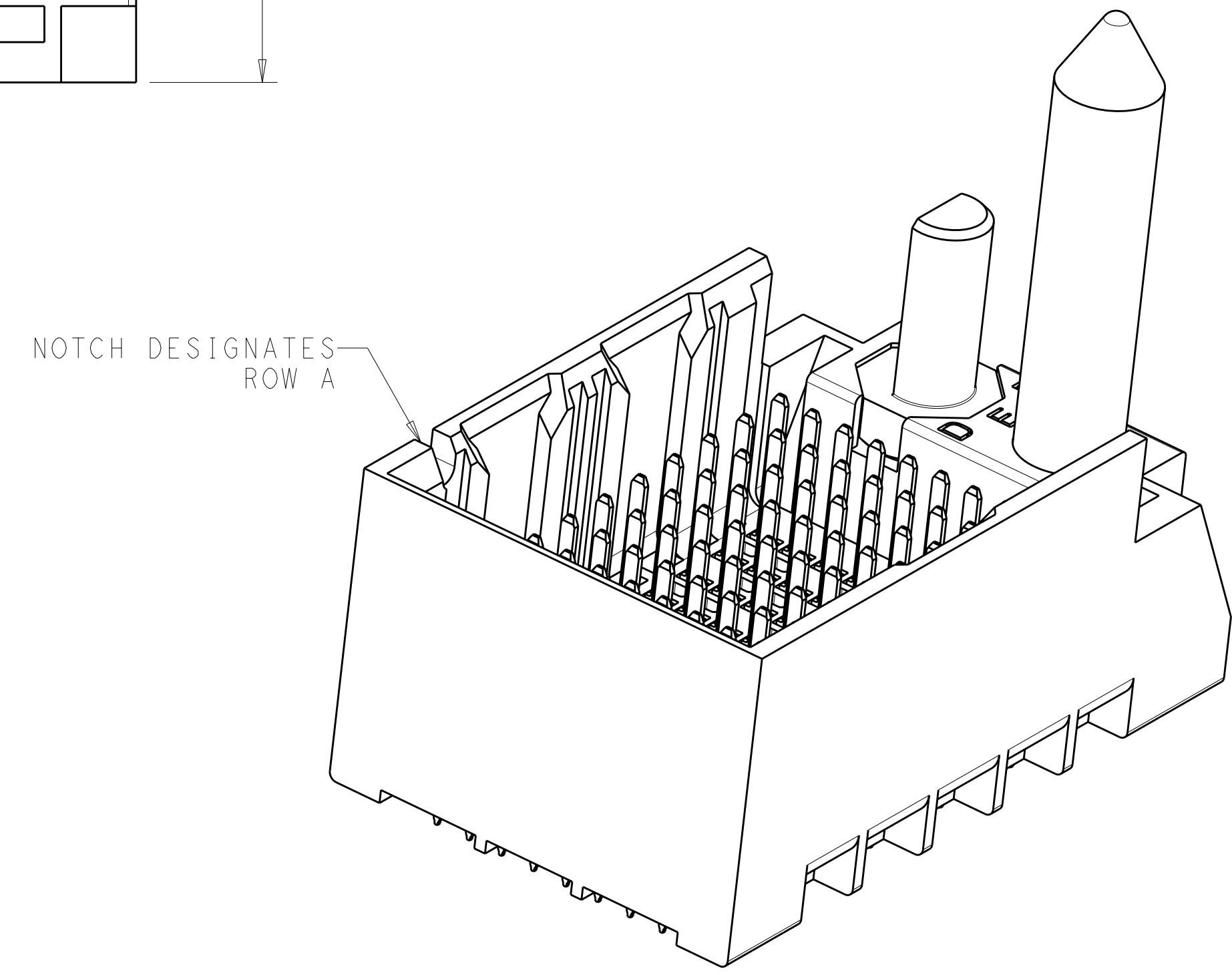
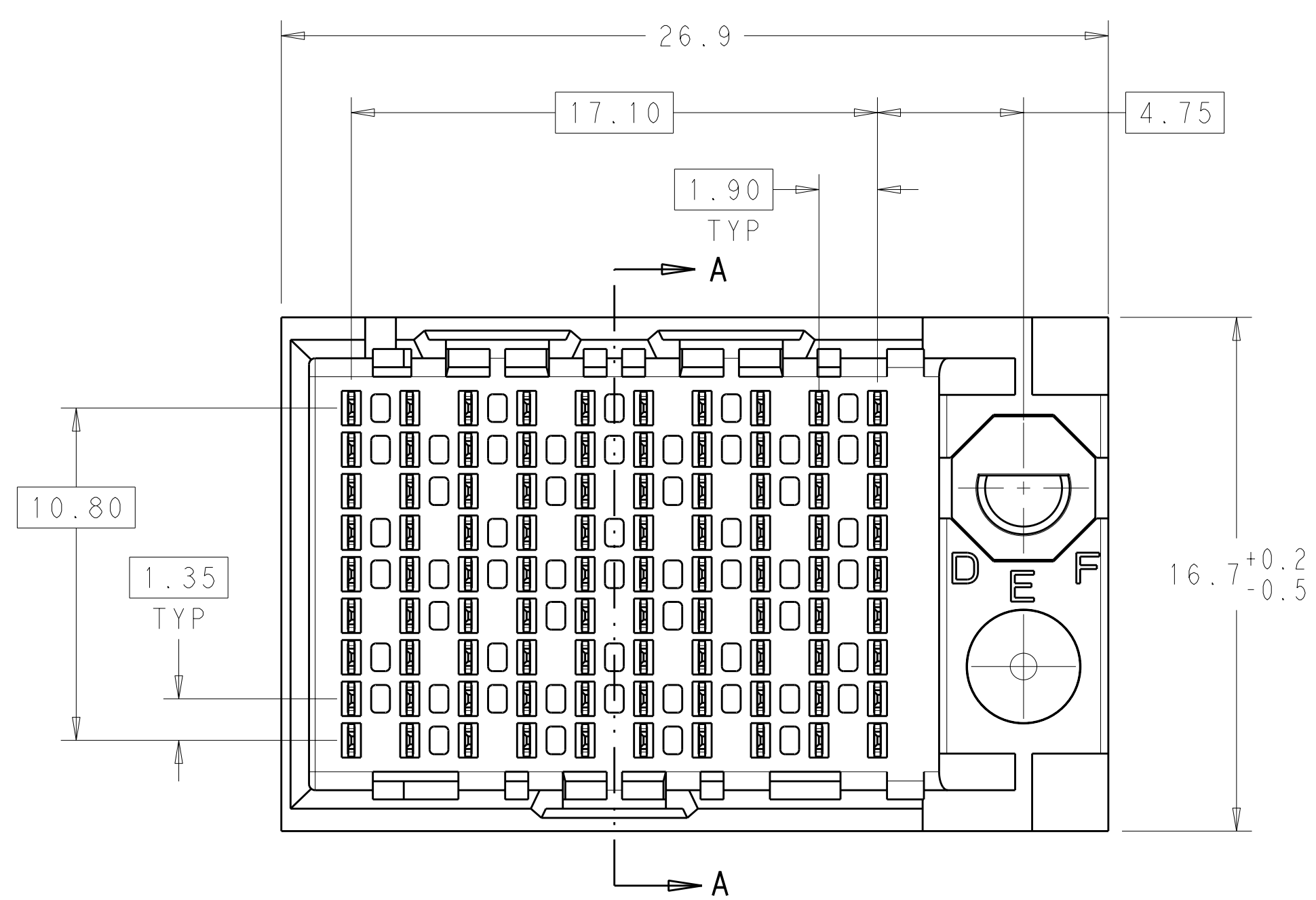
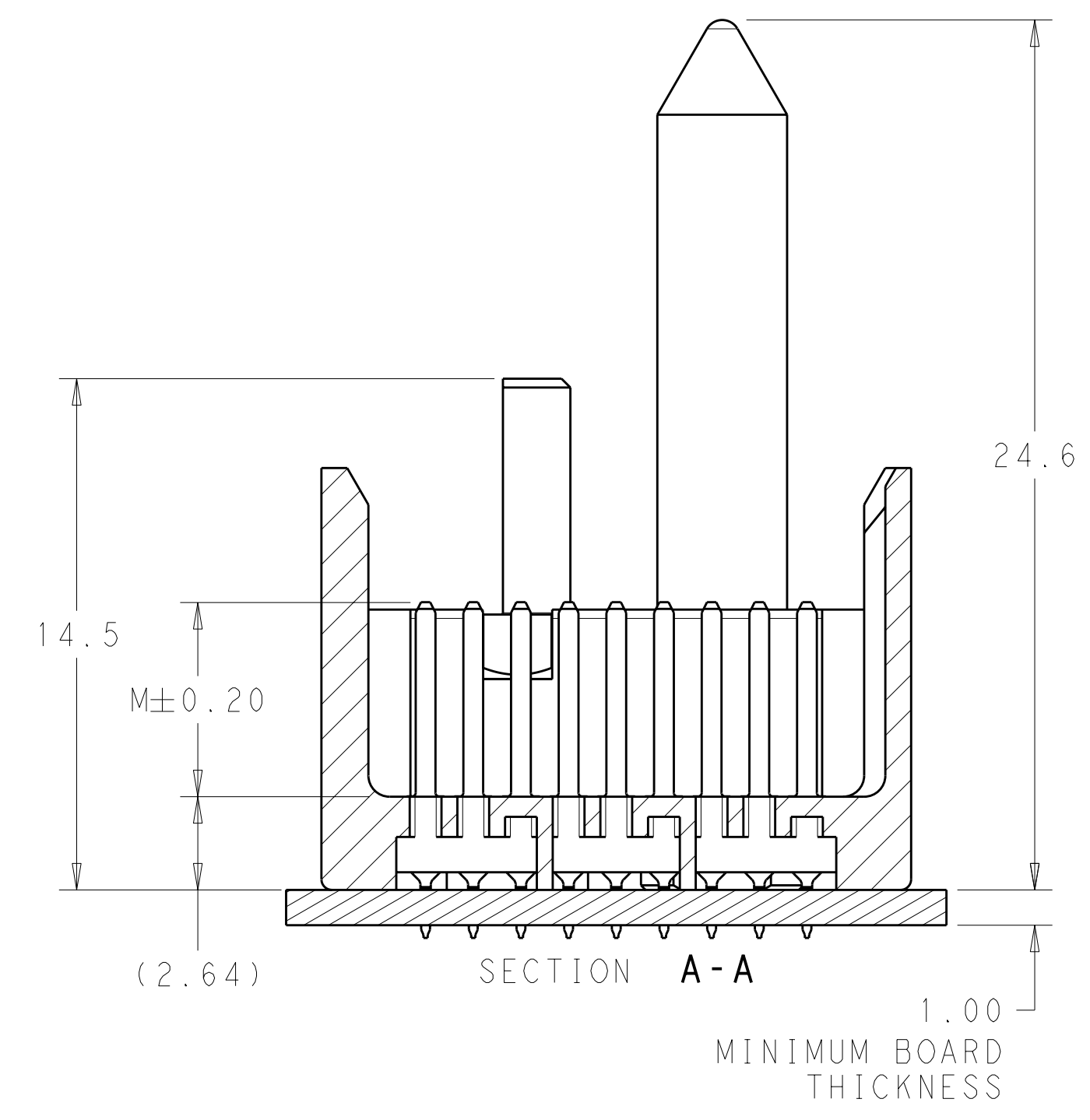
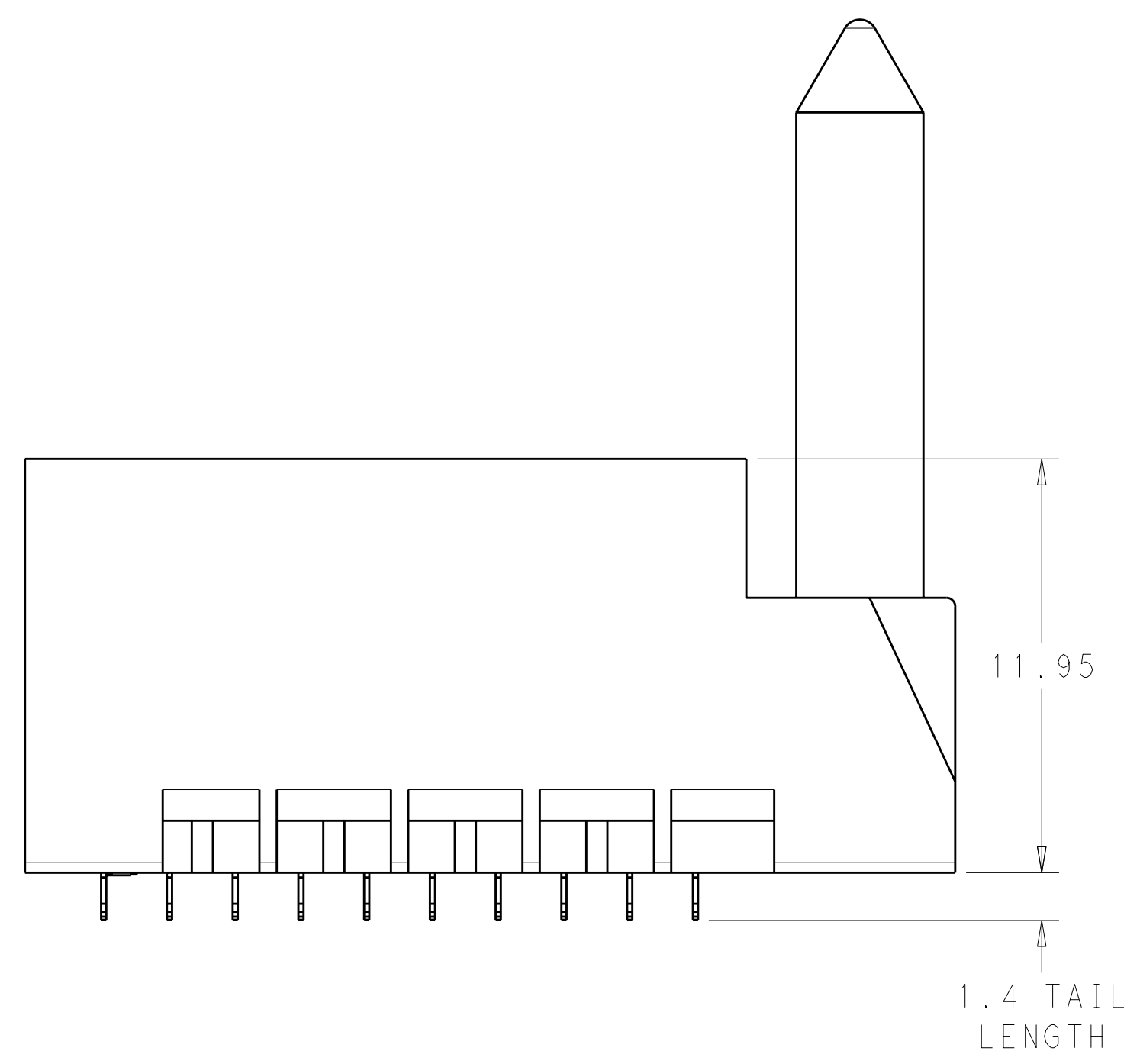


LOC		DIST		REVISIONS			
AD	00	P	LTB	DESCRIPTION	DATE	DWN	APVD
		C		REVISED PER ECO-11-025276	22DEC11	KH	DY



- 1 MATERIAL:  
HOUSING: LCP, GLASS FILLED, UL94V-0.  
TERMINALS: HIGH PERFORMANCE COPPER ALLOY.
- 2 FINISH:  
30µ" MIN GOLD IN CONTACT AREA. SELECTIVE TIN ON PCB TAILS, NICKEL OVERALL.
- 3 FINISH:  
30µ" MIN GOLD IN CONTACT AREA. SELECTIVE TIN-LEAD ON PCB TAILS, NICKEL OVERALL.
- 4. SCREWS PACKAGED IN END OF PACKAGING TUBE.
- 5 FOR GROUNDED GUIDE PIN USE Ø3.56±0.08 PTH, Ø3.66 DRILL, AND Ø6.5 PAD.
- 6. KEYING PIN SHOWN IN POSITION A, SEE KEYING CHART ON SHEET 2 FOR OTHER POSITIONS.



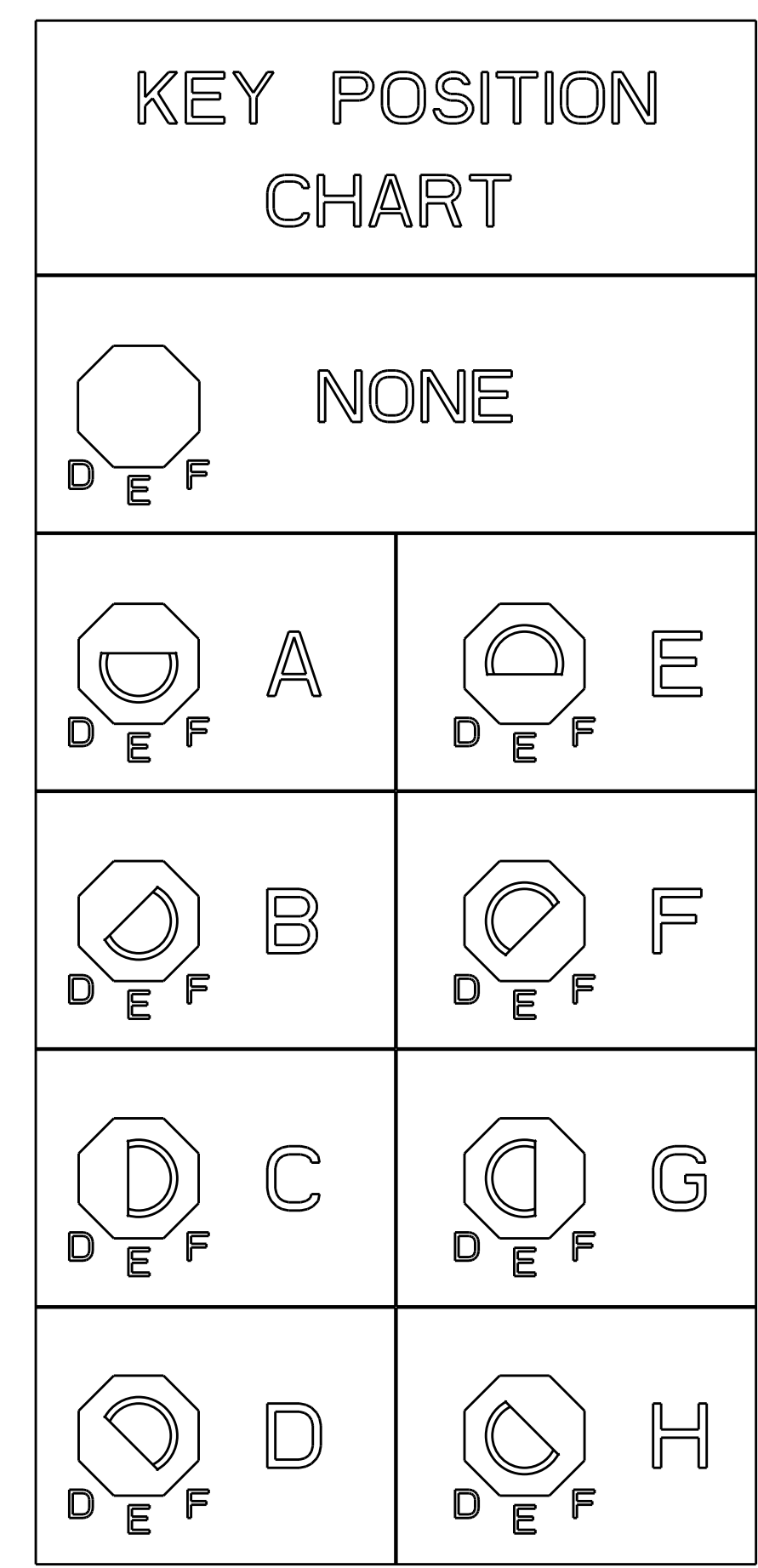
RIGHT GUIDED BACKPLANE HOLE PATTERN (CONNECTOR SIDE)

THIS DRAWING IS A CONTROLLED DOCUMENT.		DWN J. K. SHOBER 18JAN2011	TE Connectivity
DIMENSIONS: mm		CHK J. EARY 18JAN2011	
TOLERANCES UNLESS OTHERWISE SPECIFIED:		APVD J. EARY 18JAN2011	NAME IMPACT, 3 PAIR, 10 COLUMN, HEADER
Ø	9 PLC ±0.25	PRODUCT SPEC	RIGHT GUIDED, LEFT END WALL
PLC	3 PLC ±0.13	APPLICATION SPEC	SIGNAL MODULE, 0.39 PTH
PLC	5 PLC ±	SIZE CAGE CODE DRAWING NO	A100779C=2007783
PLC	4 PLC ±	WEIGHT	RESTRICTED TO
ANGLES	±	CUSTOMER DRAWING	SCALE 6:1 SHEET 1 OF 2 REV C
FINISH	SEE TABLE		

LOC		DIST		REVISIONS			
AD	00	P	LTB	DESCRIPTION	DATE	DWN	APVD
				SEE SHEET 1			

3	H	5.5	8-2007783-6
3	H	4.9	8-2007783-5
3	H	4.5	8-2007783-4
2	H	5.5	8-2007783-3
2	H	4.9	8-2007783-2
2	H	4.5	8-2007783-1
3	G	5.5	7-2007783-6
3	G	4.9	7-2007783-5
3	G	4.5	7-2007783-4
2	G	5.5	7-2007783-3
2	G	4.9	7-2007783-2
2	G	4.5	7-2007783-1
3	F	5.5	6-2007783-6
3	F	4.9	6-2007783-5
3	F	4.5	6-2007783-4
2	F	5.5	6-2007783-3
2	F	4.9	6-2007783-2
2	F	4.5	6-2007783-1
3	E	5.5	5-2007783-6
3	E	4.9	5-2007783-5
3	E	4.5	5-2007783-4
2	E	5.5	5-2007783-3
2	E	4.9	5-2007783-2
2	E	4.5	5-2007783-1
3	D	5.5	4-2007783-6
3	D	4.9	4-2007783-5
3	D	4.5	4-2007783-4
2	D	5.5	4-2007783-3
2	D	4.9	4-2007783-2
2	D	4.5	4-2007783-1
3	C	5.5	3-2007783-6
3	C	4.9	3-2007783-5
3	C	4.5	3-2007783-4
2	C	5.5	3-2007783-3
2	C	4.9	3-2007783-2
2	C	4.5	3-2007783-1
3	B	5.5	2-2007783-6
3	B	4.9	2-2007783-5
3	B	4.5	2-2007783-4
2	B	5.5	2-2007783-3
2	B	4.9	2-2007783-2
2	B	4.5	2-2007783-1
3	A	5.5	1-2007783-6
3	A	4.9	1-2007783-5
3	A	4.5	1-2007783-4
2	A	5.5	1-2007783-3
2	A	4.9	1-2007783-2
2	A	4.5	1-2007783-1
3	-	5.5	2007783-6
3	-	4.9	2007783-5
3	-	4.5	2007783-4
2	-	5.5	2007783-3
2	-	4.9	2007783-2
2	-	4.5	2007783-1
FINISH	KEY POSITION	DIM M	PART NUMBER

REFER TO WWW.TE.COM FOR PRODUCT AVAILABILITY



THIS DRAWING IS A CONTROLLED DOCUMENT.		DWN J. K. SHOBER 18JAN2011	<b>TE</b> TE Connectivity
DIMENSIONS: mm		CHK J. EARY 18JAN2011	
TOLERANCES UNLESS OTHERWISE SPECIFIED:		APVD J. EARY 18JAN2011	NAME IMPACT, 3 PAIR, 10 COLUMN, HEADER RIGHT GUIDED, LEFT END WALL SIGNAL MODULE, 0.39 PTH
9 PLC ±0.25		PRODUCT SPEC	SIZE CAGE CODE DRAWING NO RESTRICTED TO
3 PLC ±0.13		APPLICATION SPEC	A100779C=2007783
5 PLC ±		WEIGHT	SCALE 5:1 SHEET 2 OF 2 REV C
4 PLC ±		CUSTOMER DRAWING	
ANGLES FINISH SEE TABLE			