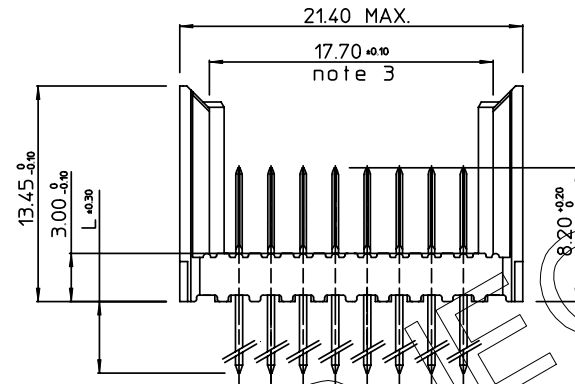
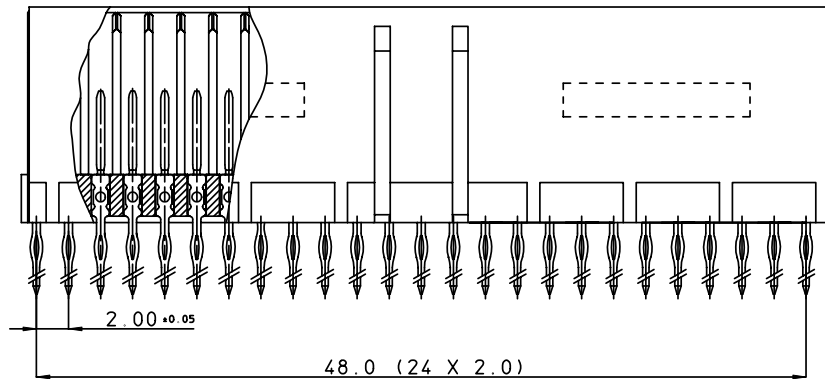


GEN. ST.	01	02	03	04	05	06	07	08	0D	50	60	70	80	90
INT. ST.	10	11	12	13	14	18	20	31	32	33	34	38	39	40

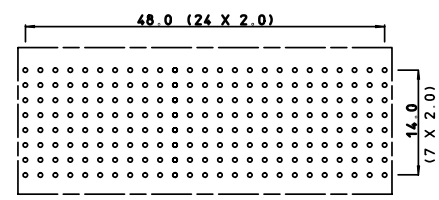
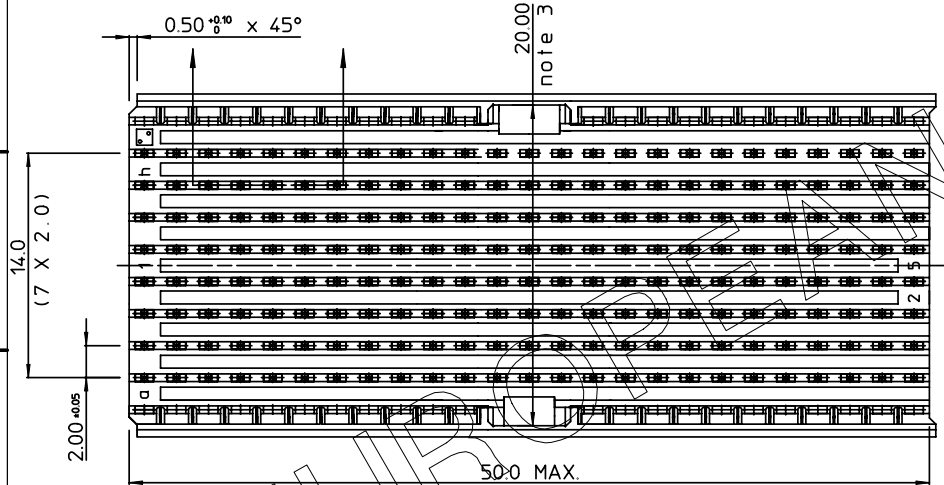
REV.	DATE	DESCRIPTION	BY	C'K'D'
A	2001-09-14	CONVERSION REVISION 02	KN	
B	2002-03-19	EC B20062	MF	
C	2005-10-26	I05-0205	ALEX B	BKP
D	2006-08-08	106-0144	ALEX B	BKP



PERFORMANCE CHARACTERISTICS

CURRENT RATING : 1.5 A AT 20°C (FULLY LOADED)
 A AT 70°C (FULLY LOADED)
 RATED VOLTAGE : 500 V AC (CONT / CONT)
 OPERATING TEMPERATURE : -55°C TO 125°C
 CONTACT RESISTANCE : 20 mΩ MAX
 INSERTION FORCE : 0.75 N MAX / CONT
 EXTRACTION FORCE : 0.15 N MIN / CONT
 INSULATION RESISTANCE : 10⁴ MΩ MIN

CAT. NR.	L ±0.3	DESCRIPTION
HM2P95PD8110----	3.7	SHORT PRESS-FIT
HM2P95PC8110----	4.5	SHORT PRESS-FIT
HM2P95PK8110----	13	REAR PLUG-UP: LEVEL 1
HM2P95PM8110----	14.5	REAR PLUG-UP: LEVEL 2
HM2P95PN8110----	16	REAR PLUG-UP: LEVEL 3
HM2P95PT8110----	13	WIRE WRAP



LAY-OUT
P.C.B. - HOLE

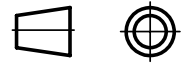
NOTES

- *HM2P95P#8110---*
 PERFORMANCE LEVEL INDICATOR (REFER DWG No. BS,C ,201844,003)
 LEAD FREE INDICATOR : LF=LEAD FREE (DIGIT 15&16)
- THIS PRODUCT IS CSA APPROVED.
 THIS PRODUCT IS UL RECOGNIZED.
- MEASURED AT THE BOTTOM.
- FOR RECOMMENDED PTH DIMENSIONS REFER DRAWING : BS.A ,201572,001
- THE PRODUCT (LF) MEETS EUROPEAN UNION DIRECTIVES AND OTHER COUNTRY REGULATIONS AS DESCRIBED IN GS-22-008

MALE SIGNAL STRAIGHT PRESS-FIT-TO-BOARD CONNECTOR

WITH GUIDING				MPACS 8R STR HDR CONN TYPE DE	
1DEC ±0,2	APPR.	DATE	SIGN.	CAT. No. HM2P95P#8110----	
2DEC ±0,1	DRAFT	2000-07-06	M.Fret		
ANGLES ±1°	CHECKED			www.fciconnect.com	
WE RESERVE THE RIGHT TO CHANGE DIMENSIONS OR REQUIREMENTS WITHOUT PRIOR NOTICE.	PROD. MGR.				SCALE
	PR. ENG. MGR.				
ALL DIMENSIONS IN MM	PR. MGT. MGR.				

REFERENCES



BS,C ,202259,007 D