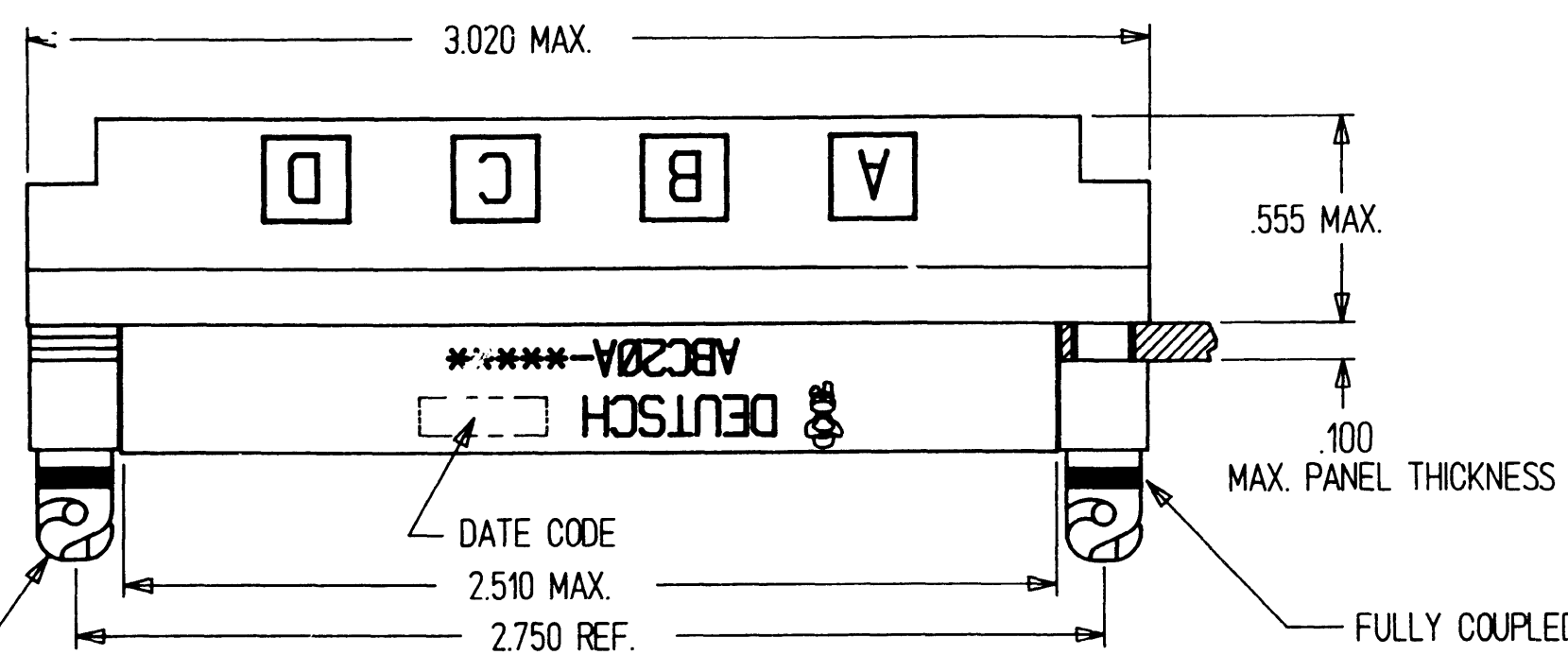
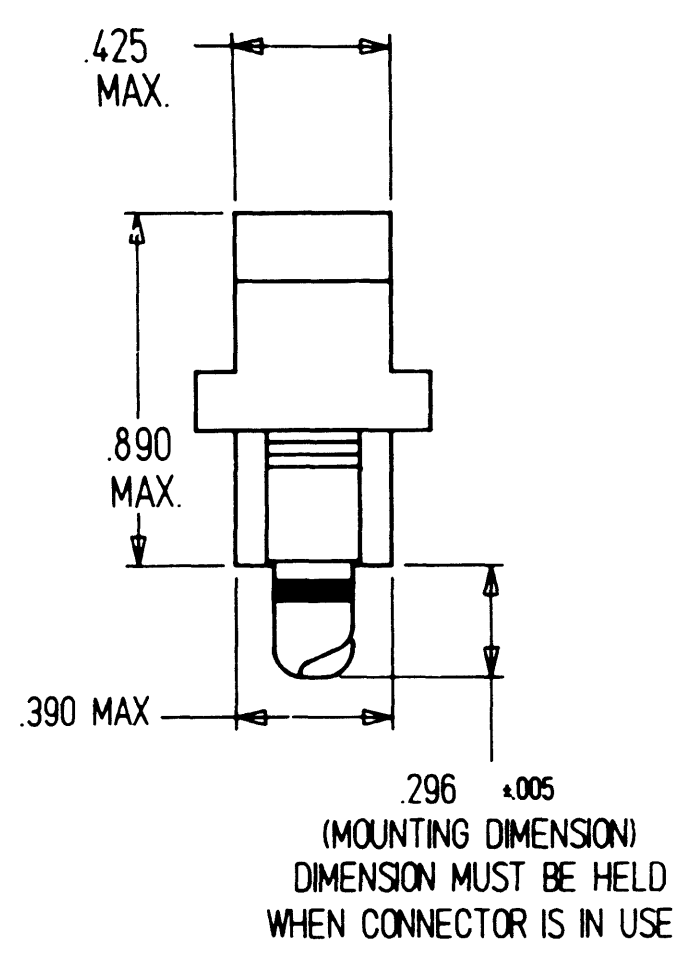
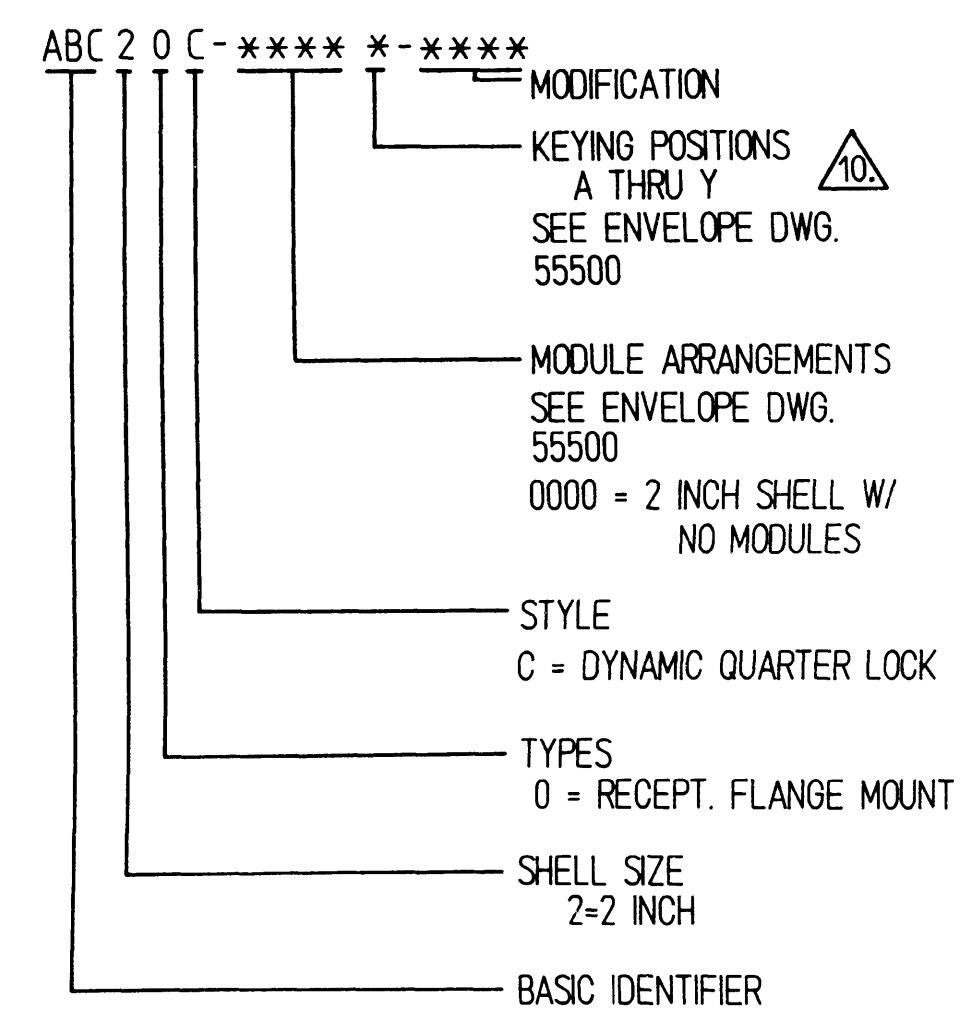
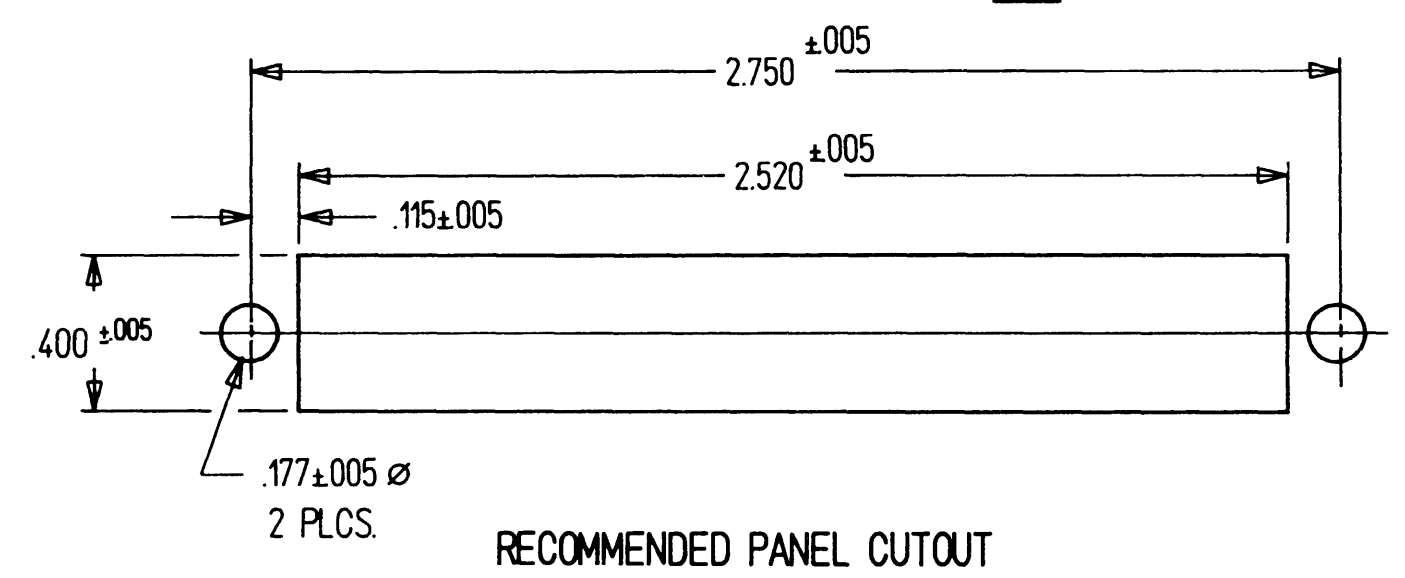
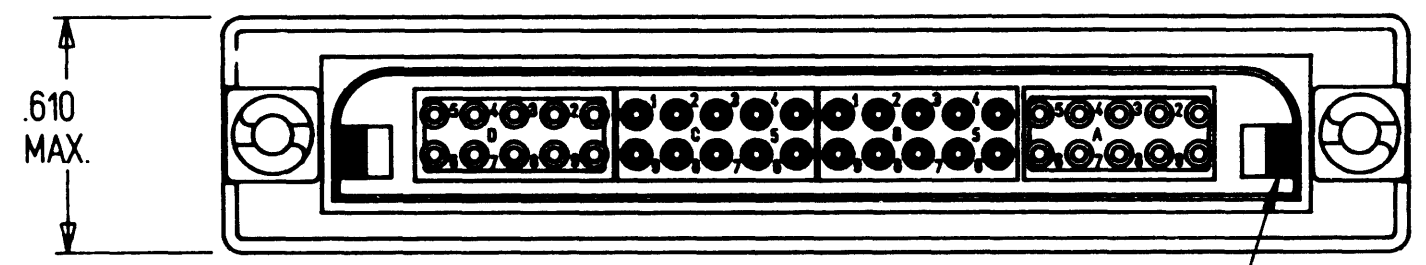


A ABC20C-****

REV	DESCRIPTION	DATE	APPROVED
N/C	NEW RELEASE PER E. O A 9887	6-16-89	L.L.A.
A	REVISED PER E.O. A 10205	11-5-92	Ⓟ



ALL MOUNTING HARDWARE AND SELF LOCKING SCREWS SUPPLIED WITH CONNECTOR



10. WHEN NO LETTER IS CALLED OUT KEYING PINS ARE SHIPPED LOOSE AND INSTALLED BY THE CUSTOMER. EXAMPLE P/N: ABC20C-0000. IF LETTER A-Y IS CALLED OUT FACTORY INSTALLS KEYING PINS. EXAMPLE P/N: ABC20C-0000A.

9. SEALING CAPABILITIES: 15 P.S.I. PRESSURE DIFFERENTIAL.
8. PANEL SEALING GASKET SUPPLIED.
7. FOR INSERT ARRANGEMENTS AND KEYING POSITIONS SEE ENVELOPE DRAWING 55500.
6. SEE DEUTSCH ENVELOPE DRAWINGS FOR CRIMP TOOL AND POSITIONER AND SOCKET CONTACTS 12336-*** AND PIN CONTACTS 12331-***.
5. MATES WITH ABC PLUG CONNECTOR.
4. FINISH: SHELL DEUTSCH SPECIAL METALIZED SURFACE.
3. MATERIAL: SHELL COMPOSITE MATERIAL. METAL COMPONENTS STAINLESS STEEL. GASKET SILICONE.
2. FOR AVAILABILITY CONSULT FACTORY.
1. DIMENSIONS ARE IN INCHES UNLESS OTHERWISE SPECIFIED.

NOTE:

SIGNATURE & DATE	
DR	TIM HOLT 5/3/89
CHK	L.L.A. 6/16/89
PE	TIM HOLT 5/3/89
APPD	
SCALE	NONE WT

RECEPTACLE
2 INCH
FLANGE MOUNTING
DYNAMIC QUARTER LOCK COUPLING
ABC CONNECTOR
ENVELOPE

CP	MATL CODE
DEUTSCH ENGINEERED CONNECTING DEVICES Municipal Airport Banning, California	
C	ABC20C-****
DWG SIZE	CODE 1139 SHEET 1 OF 1