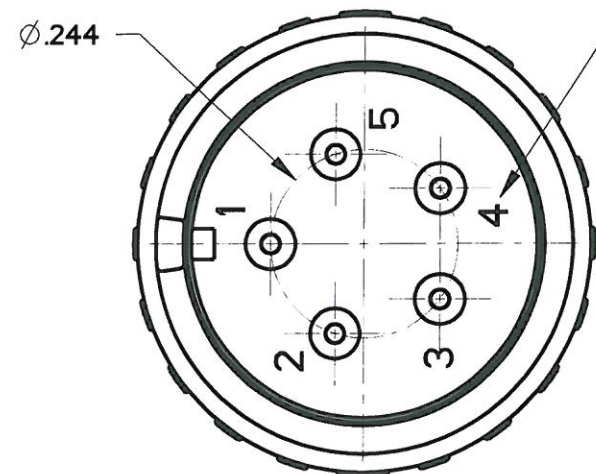
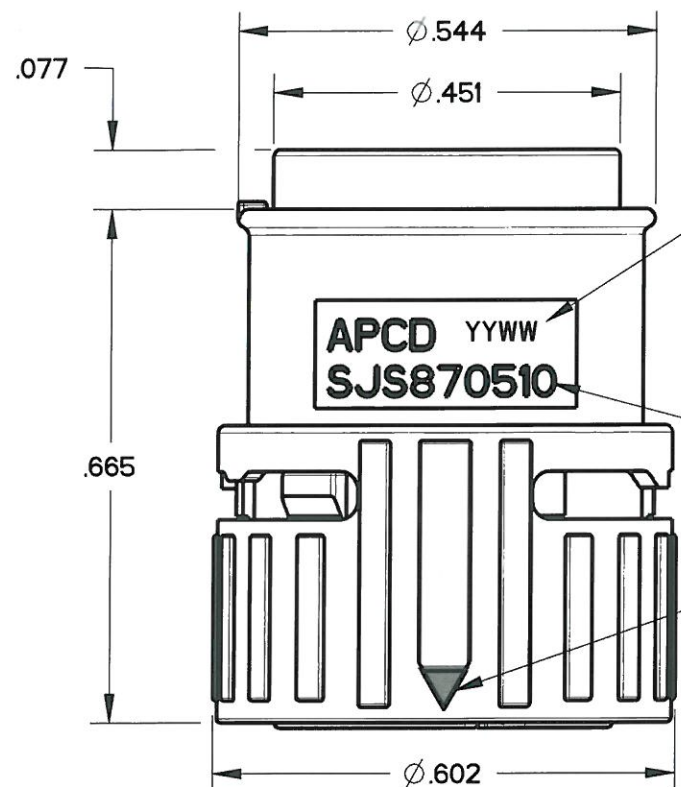


REV	ECN	APP'D
-	6598	<i>[Signature]</i> 10/18/10



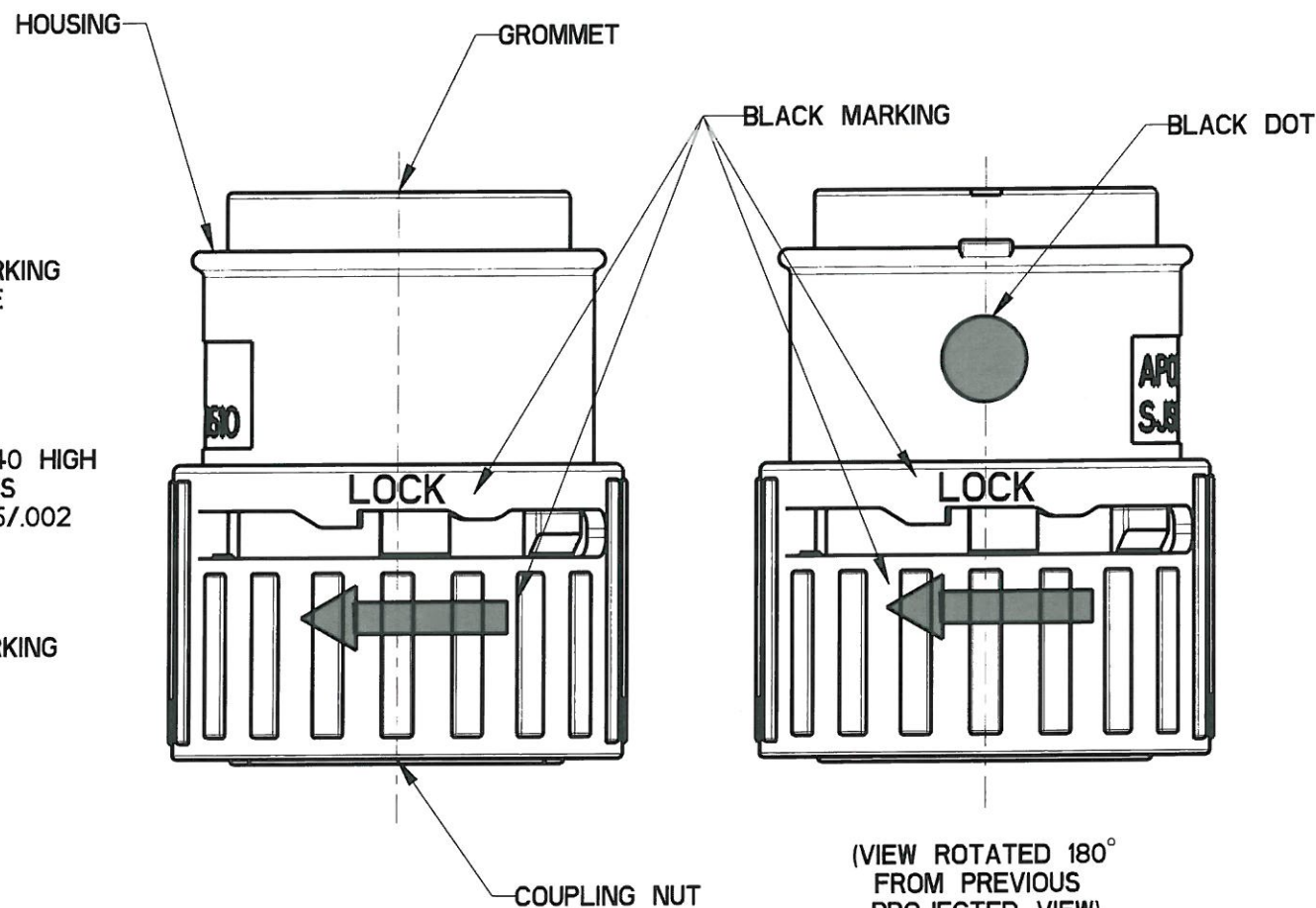
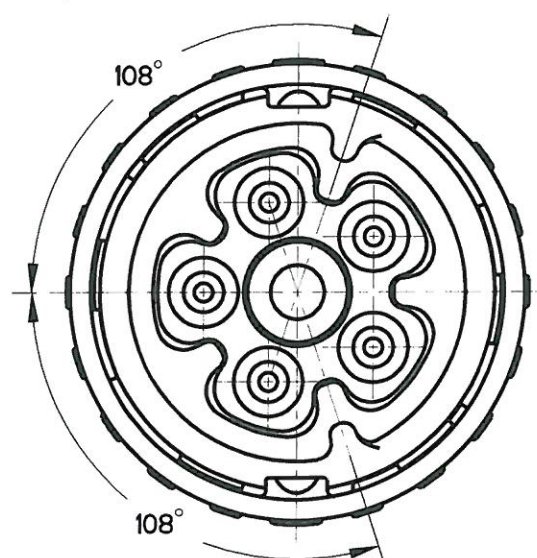
WHITE MARKING
.040 HIGH CHARACTERS



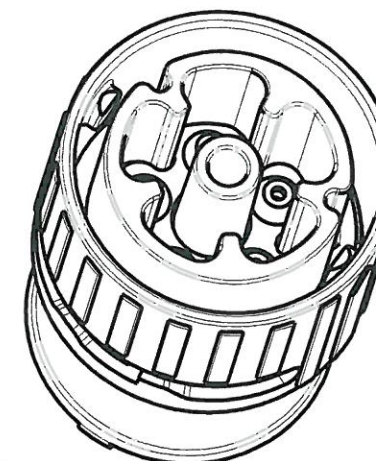
BLACK MARKING
DATE CODE

MOLDED .040 HIGH
CHARACTERS
RAISED .005/.002

BLACK MARKING
TWO SIDES



(VIEW ROTATED 180°
FROM PREVIOUS
PROJECTED VIEW)



SCALE 3:1

- NOTES:
- MATERIALS:
HOUSING: PA6/6, COLOR: WHITE
COUPLING NUT: PA6/6, COLOR: NATURAL
CONTACT RETAINER: STAINLESS STEEL
GROMMET: SILICONE RUBBER PER A-A-59588, COLOR: RED
 - ACCEPTS M39029/58-360 PIN CONTACTS (NOT INCLUDED)
 - WHEN ASSEMBLED, "LOCK" AND ARROW MARKINGS MUST ALIGN WITH BLACK DOT
 - PART MATES WITH SJS870520
 - WEIGHT: 2.5 GRAMS (EST.)
 - SUPPLIED WITH DUST CAP

DIMENSIONS ANSI Y14.5M UNITS: INCHES Pro/E FILE	TOLERANCES .XX ±0.01 .XXX ±0.005 ANGLES ±1.0°	PROJECTION 	Amphenol Pcd SPECIFICATION DRAWING		TITLE 5P SZ22 INLINE WHITE PLUG FOR SJS	
			ENGR Frank.Li 27-May-10	CHKD <i>[Signature]</i> 10/18/10	SIZE B	DWG NO. SJS870510_CE
ORIGINAL 	THIS DOCUMENT CONTAINS PROPRIETARY INFORMATION WHICH IS THE CONFIDENTIAL PROPERTY OF AMPHENOL PCD INC., BEVERLY, MA		APPD <i>[Signature]</i> 10/18/10	CODE: 58982	SCALE: 4:1	SHEET 1 OF 1

SJS870510

SJS870510