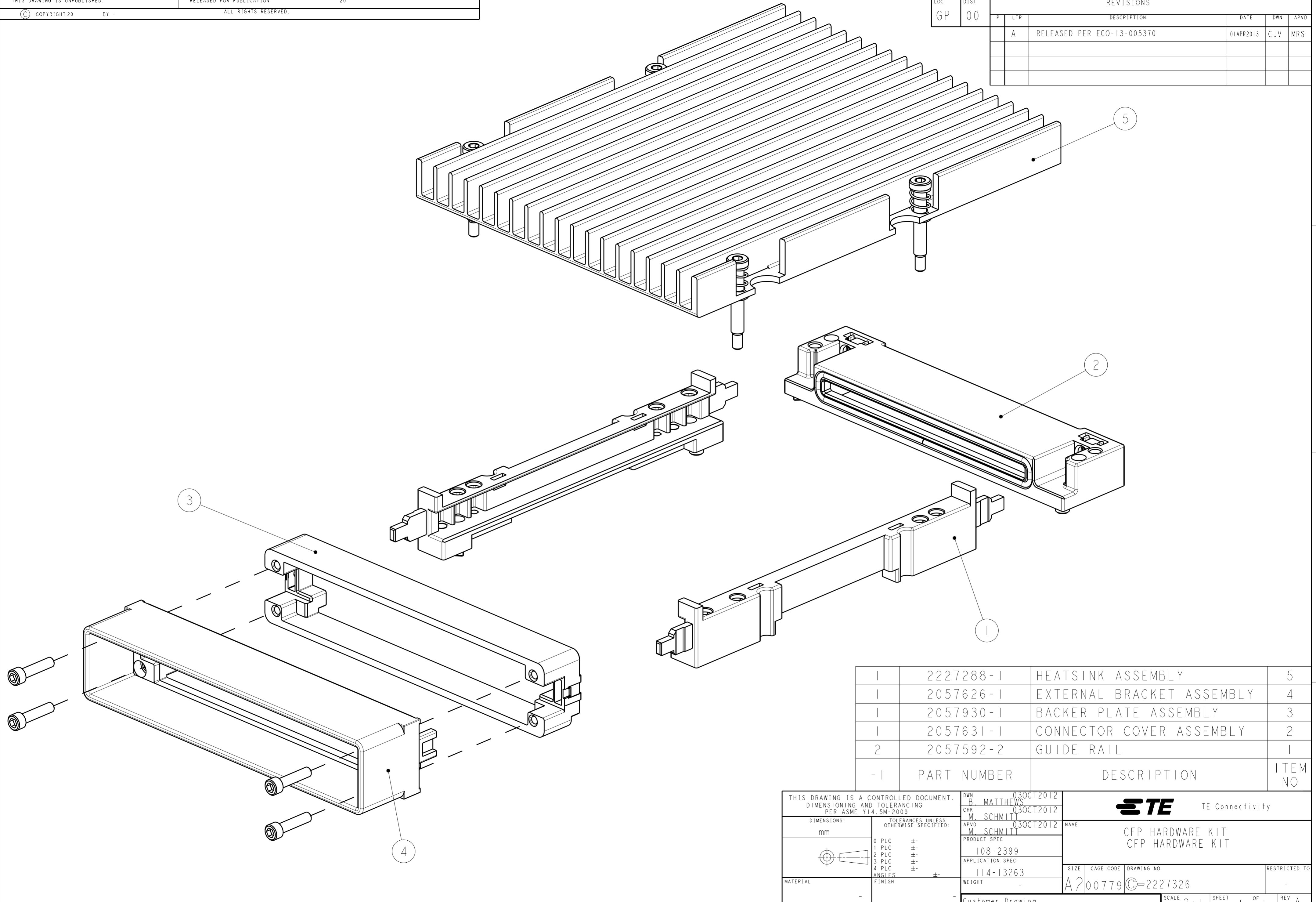



THIS DRAWING IS UNPUBLISHED. RELEASED FOR PUBLICATION 20  
 © COPYRIGHT 20 BY - ALL RIGHTS RESERVED.

LOC	DIST	REVISIONS					
GP	00	P	LTR	DESCRIPTION	DATE	DWN	APVD
		A		RELEASED PER ECO-13-005370	01APR2013	CJV	MRS



1	2227288-1	HEATSINK ASSEMBLY	5
1	2057626-1	EXTERNAL BRACKET ASSEMBLY	4
1	2057930-1	BACKER PLATE ASSEMBLY	3
1	2057631-1	CONNECTOR COVER ASSEMBLY	2
2	2057592-2	GUIDE RAIL	1
-1	PART NUMBER	DESCRIPTION	ITEM NO

THIS DRAWING IS A CONTROLLED DOCUMENT. DIMENSIONING AND TOLERANCING PER ASME Y14.5M-2009		DWN B. MATTHEWS 03OCT2012	 TE Connectivity
DIMENSIONS: mm		CHK M. SCHMITT 03OCT2012	
TOLERANCES UNLESS OTHERWISE SPECIFIED:		APVD M. SCHMITT 03OCT2012	
0 PLC ± 1 PLC ± 2 PLC ± 3 PLC ± 4 PLC ± ANGLES ± FINISH		PRODUCT SPEC 108-2399 APPLICATION SPEC 114-13263 WEIGHT -	
MATERIAL		Customer Drawing	NAME CFP HARDWARE KIT CFP HARDWARE KIT SIZE CAGE CODE DRAWING NO RESTRICTED TO A200779 C-2227326 -
SCALE 2:1			SHEET 1 OF 1 REV A