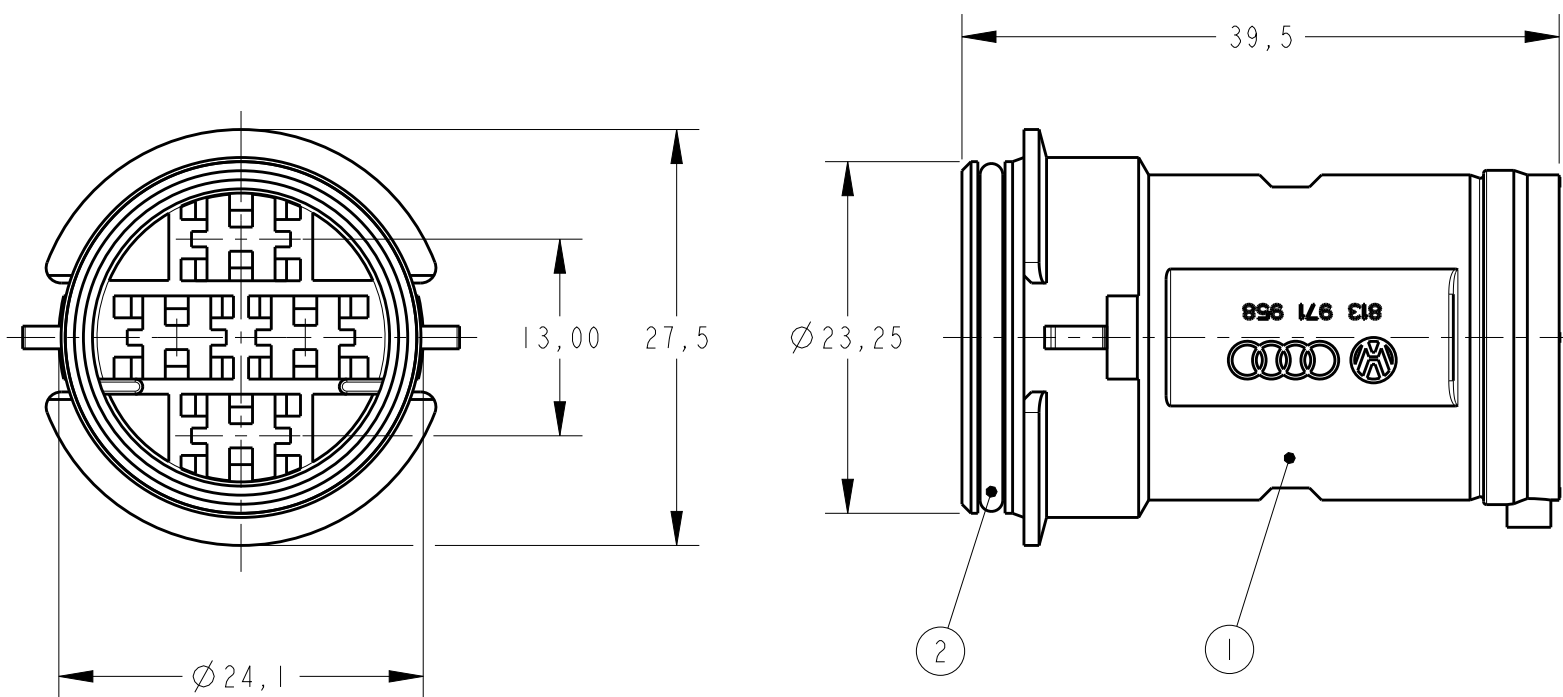


creo  
Creo Parametric 3.0  
**DO NOT REVISE  
EXCEPT BY CAD**

REVISIONS

P	LTR	DESCRIPTION	DATE	DWN	APVD
	A3	REDRAW BY CAD ECO-16-012742	01FEB2017	NCL	DAO



1 - OBSOLETE PARTS: OBSOLETE CIS STREAMLINING PER D.RENAUD/D.SINISI

2 - DIMENSÕES NÃO ENCONTRADAS DEVEM SER OBTIDAS DO CAD 3D DA PEÇA, DEVENDO-SE EMPREGAR O VALOR DA TOLERÂNCIA LINEAR COM UMA CASA DECIMAL, MOSTRADO NA TABELA DE TOLERÂNCIA GERAL NESTE DESENHO.

2 - NOT FOUND DIMENSIONS MUST BE GOTTEN FROM THE PART 3D CAD DATABASE AND MUST BE USED THE VALUE OF THE LINEAR TOLERANCE WITH ONE DECIMAL PLACE, SHOWN IN THE TOLERANCE TABLE ON THIS DRAWING.

**OBSOLETE**

VW PART NUMBER	REQ. PER ASSY								ITEM	DESCRIPTION	MATERIAL	FINISH
	-8	-7	-6	-5	-4	-3	-2	-1				
	1	1	1	1	1	1	1	1	2	O'RING	NEOPRENE/NITRILICA	PRETO/BLACK
813 971 958 - G	1	-	-	-	-	-	-	-	1	4 WAY .250 FASTIN-ON TAB HSG	PA 6.6	CINZA/GRAY
813 971 958 - F	-	1	-	-	-	-	-	-	1	4 WAY .250 FASTIN-ON TAB HSG	PA 6.6	VERDE/GREEN
813 971 958 - E	-	-	1	-	-	-	-	-	1	4 WAY .250 FASTIN-ON TAB HSG	PA 6.6	BRANCO/WHITE
813 971 958 - D	-	-	-	1	-	-	-	-	1	4 WAY .250 FASTIN-ON TAB HSG	PA 6.6	AZUL/BLUE
813 971 958 - C	-	-	-	-	1	-	-	-	1	4 WAY .250 FASTIN-ON TAB HSG	PA 6.6	AMARELO/YELLOW
813 971 958 - B	-	-	-	-	-	1	-	-	1	4 WAY .250 FASTIN-ON TAB HSG	PA 6.6	VERMELHO/RED
813 971 958 - A	-	-	-	-	-	-	1	-	1	4 WAY .250 FASTIN-ON TAB HSG	PA 6.6	MARROM/BROWN
813 971 958	-	-	-	-	-	-	-	1	1	4 WAY .250 FASTIN-ON TAB HSG	PA 6.6	PRETO/BLACK

THIS DRAWING IS A CONTROLLED DOCUMENT.

DIMENSIONS: mm	TOLERANCES UNLESS OTHERWISE SPECIFIED:
	0 PLC ±-
	1 PLC ±0,3
	2 PLC ±0,2
	3 PLC ±-
	4 PLC ±-
	ANGLES ±1°
MATERIAL SEE TABLE	FINISH
	-

DWN	NCLAPRESA	31 JAN 2017
CHK	FFORTUNATO	31 JAN 2017
APVD	DAO LIVEIRA	31 JAN 2017
PRODUCT SPEC	-	-
APPLICATION SPEC	-	-
WEIGHT	-	-
CUSTOMER DRAWING		

<b>STE</b> TE Connectivity			
NAME 4 WAY 250 FASTIN-ON TAB HSG ASSY			
SIZE	CAGE CODE	DRAWING NO	RESTRICTED TO
A3	-	881208	-
SCALE		SHEET	REV
1:1		1 OF 1	A3