



iJx Series Evaluation Kit

TDK-Lambda Americas Inc.

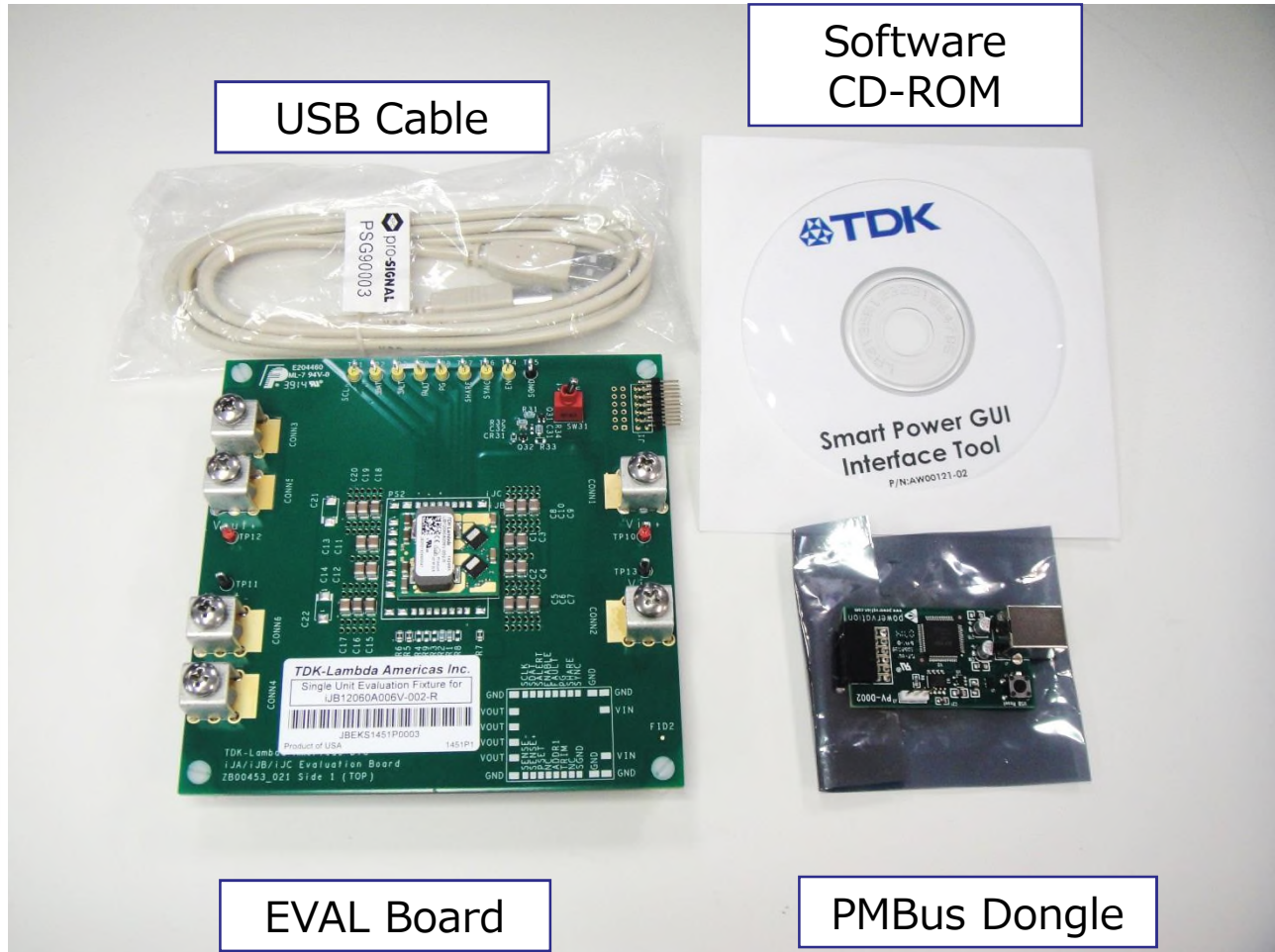
401 Mile of Cars Way, Suite 325

National City, California 91950

Phone 1-800-526-2324

www.us.tdk-lambda.com/lp

Contents of Box



USB Cable

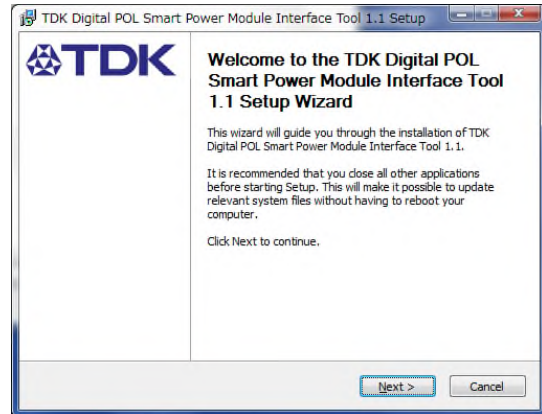
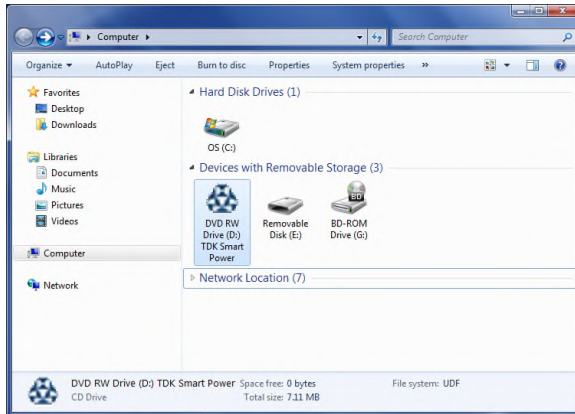
Software
CD-ROM

EVAL Board

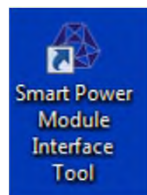
PMBus Dongle

iJx Series PMBus Communication

TDK – Lambda Americas Smart Power Interface



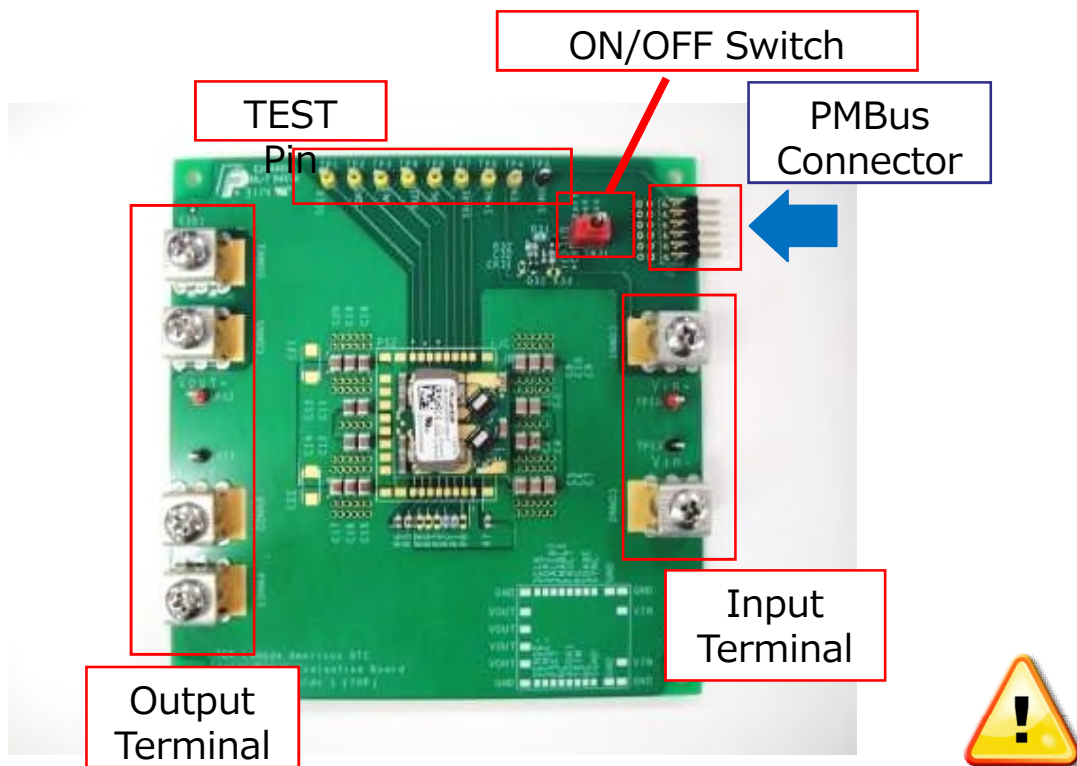
1. Insert the CD-ROM into your PC
2. Run “Power_Smart_xxxxx.exe”
3. An icon will appear on your desk top after installation.



The latest version of software can be obtained from our website.

<http://www.us.tdk-lambda.com/lp/contacts/gui-download-page/>

About the Evaluation Board



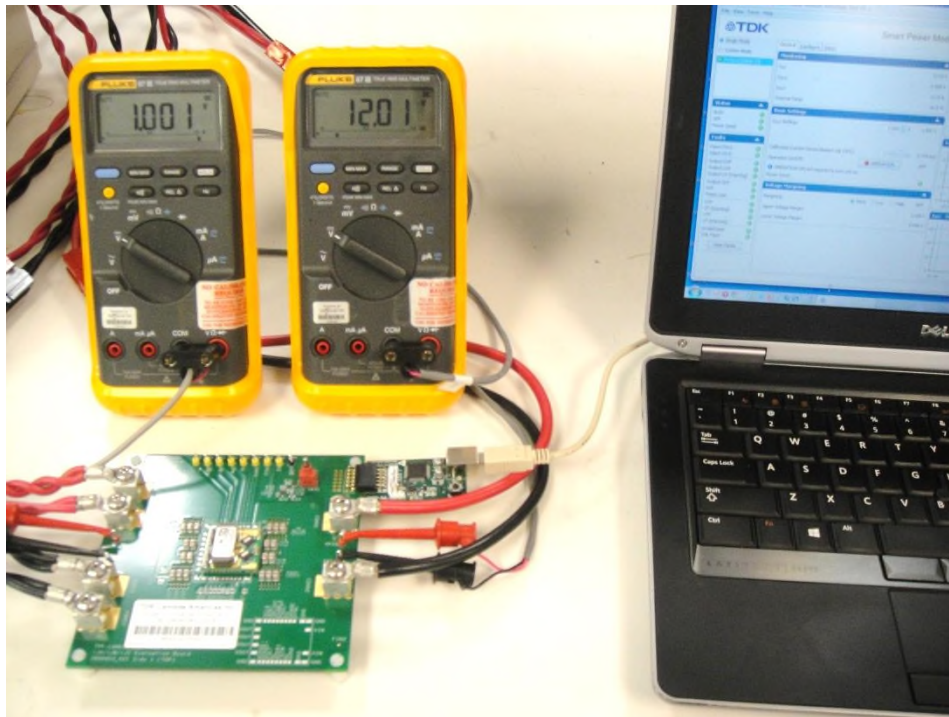
PMBus Connector

1	SALT	2	5V(USB)
3	SDAT	4	SGND
5	SCLK	6	SGND
7	-	8	SGND
9	-	10	SGND
11	-	12	SGND

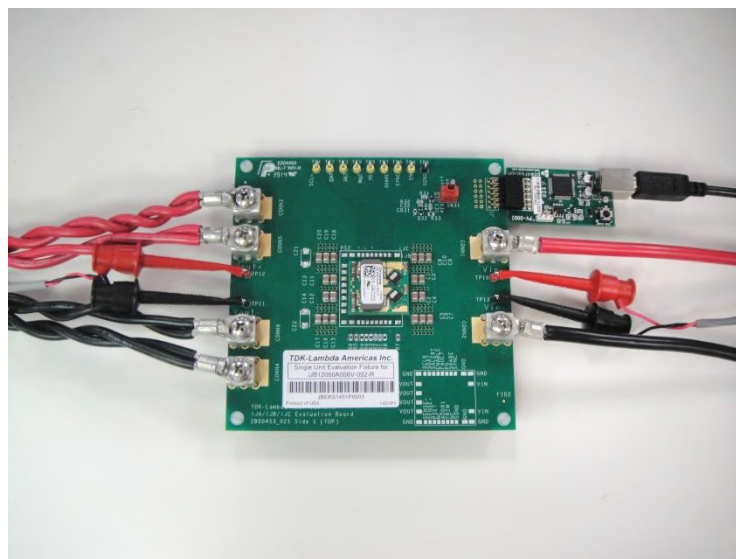
This Eval kit does NOT have an input fuse. Please check the connections before applying power. This example is for the iJB/iJC series. The layout is different for the iJA series.

1. When the ON / OFF switch is open, the module will be ON. (for H-active option)
2. The user can change the output voltage by changing R1/R2. (default is set as 1.0V)
3. Please see the product data sheet for more details.

Set-up Example

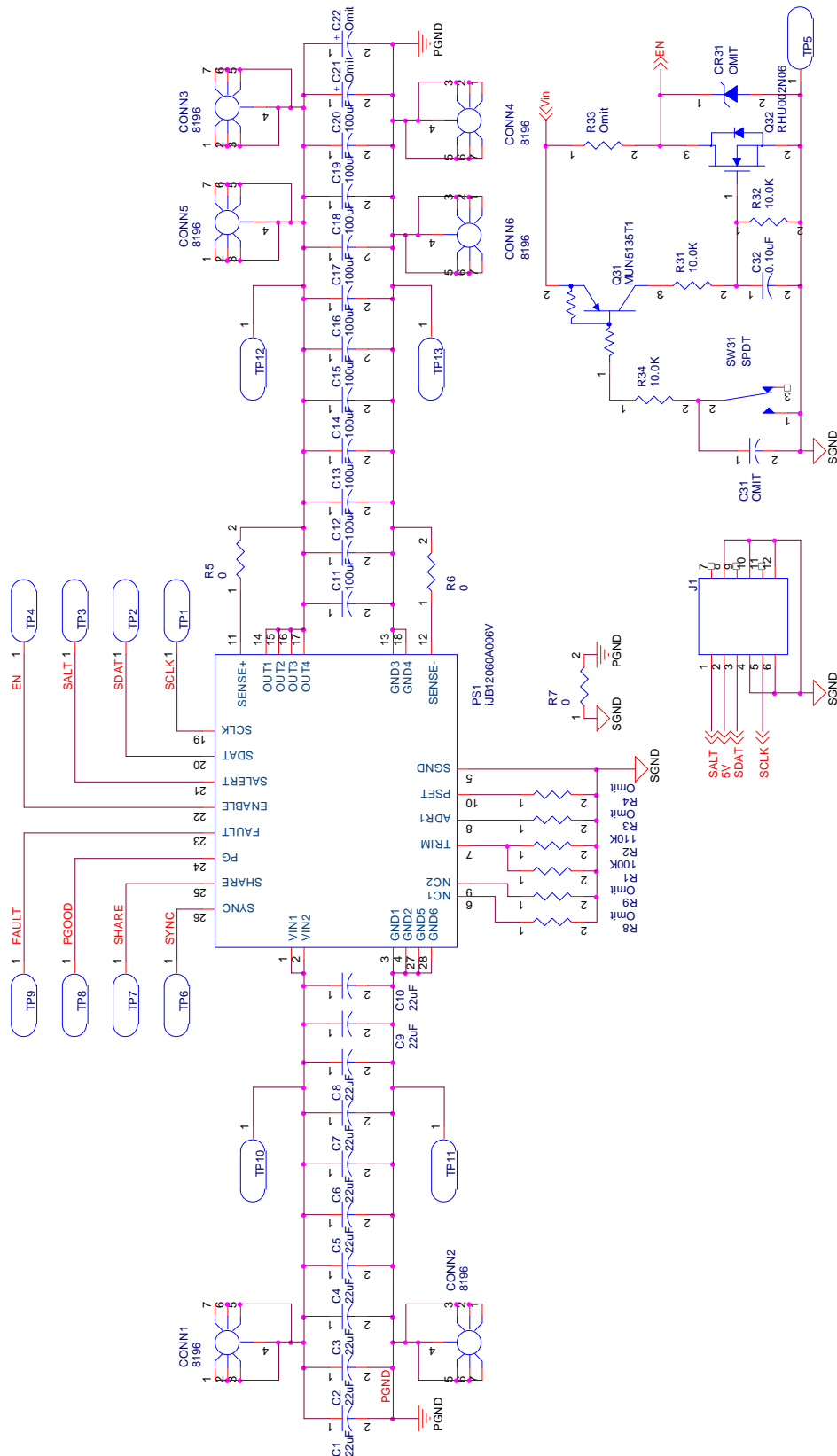


Output



Input

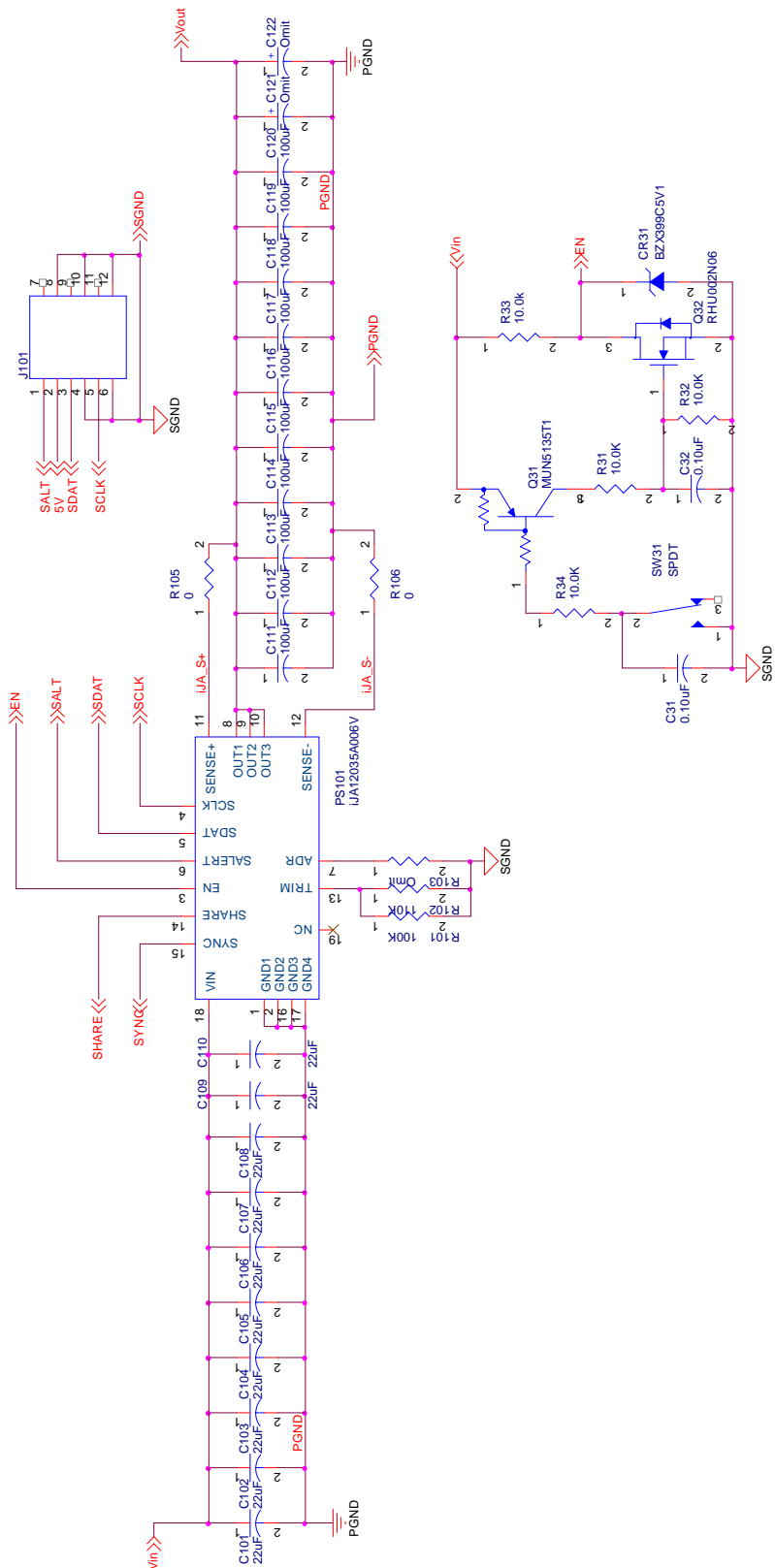
Schematic iJB / iJC Series



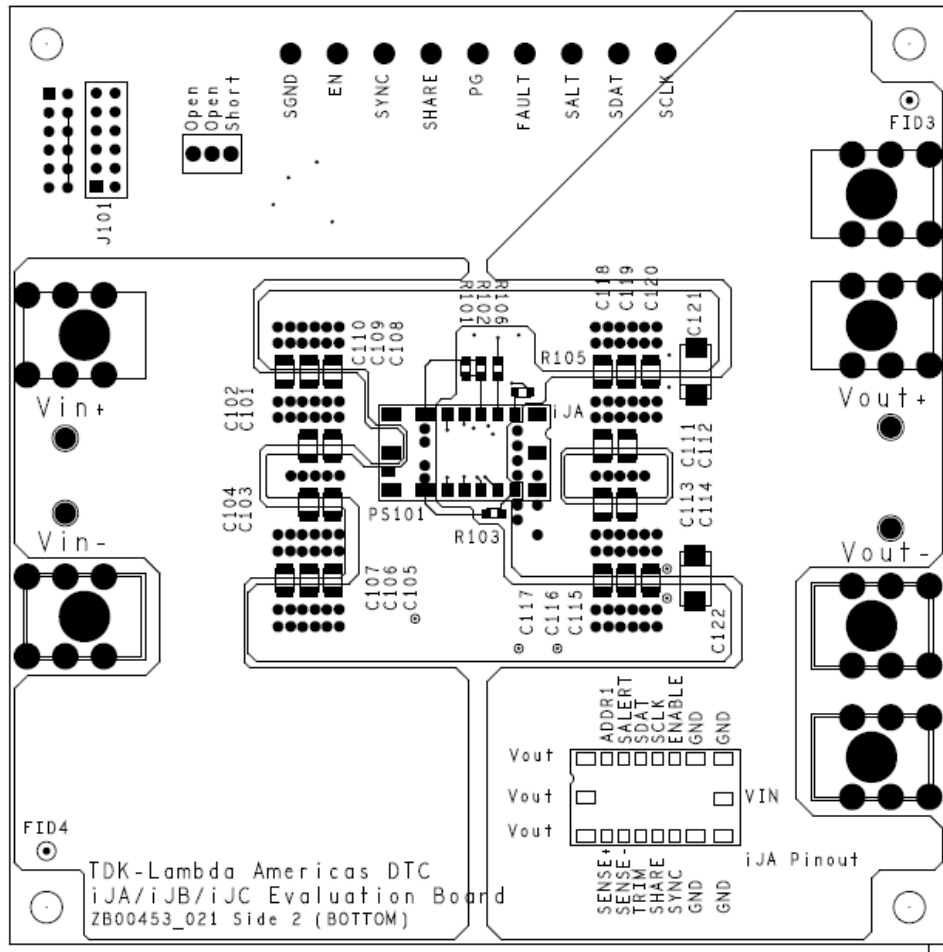
BOM iJB / iJC Series

BOM.Ref Des	Description	Manufacturers.Mfr. Part Number	Manufacturer
C1	Capacitor	C3225X7R1C226MT	TDK
C2	Capacitor	C3225X7R1C226MT	TDK
C3	Capacitor	C3225X7R1C226MT	TDK
C4	Capacitor	C3225X7R1C226MT	TDK
C5	Capacitor	C3225X7R1C226MT	TDK
C6	Capacitor	C3225X7R1C226MT	TDK
C7	Capacitor	C3225X7R1C226MT	TDK
C8	Capacitor	C3225X7R1C226MT	TDK
C9	Capacitor	C3225X7R1C226MT	TDK
C10	Capacitor	C3225X7R1C226MT	TDK
C11	Capacitor	C3225X5R0J107MT	TDK
C12	Capacitor	C3225X5R0J107MT	TDK
C13	Capacitor	C3225X5R0J107MT	TDK
C14	Capacitor	C3225X5R0J107MT	TDK
C15	Capacitor	C3225X5R0J107MT	TDK
C16	Capacitor	C3225X5R0J107MT	TDK
C17	Capacitor	C3225X5R0J107MT	TDK
C18	Capacitor	C3225X5R0J107MT	TDK
C19	Capacitor	C3225X5R0J107MT	TDK
C20	Capacitor	C3225X5R0J107MT	TDK
C32	Capacitor	C1608X7R1H104KT	TDK
CONN1	Connector	8196	Keystone
CONN2	Connector	8196	Keystone
CONN3	Connector	8196	Keystone
CONN4	Connector	8196	Keystone
CONN5	Connector	8196	Keystone
CONN6	Connector	8196	Keystone
J1	12 pin header	MC34771	Multi comp
PS1	Digital POL Module		TDK Lambda Americas Inc
PWB1	PWB		TDK Lambda Americas Inc
Q31	Transistor SOT323	MUN5135T1G	On semiconductor
Q32	Mosfet SOT323	RHU002N06	Rohm
R1	Resistor 0805	RK73H2ATTE1003F	KOA
R2	Resistor 0805	RK73H2ATTE1103F	KOA
R5	Resistor 0805	RK73Z2ATTE	KOA
R6	Resistor 0805	RK73Z2ATTE	KOA
R7	Resistor 0805	RK73Z2ATTE	KOA
R31	Resistor 0805	RK73H2ATTE1002F	KOA
R32	Resistor 0805	RK73H2ATTE1002F	KOA
R34	Resistor 0805	RK73H2ATTE1002F	KOA
SW31	Toggle switch	2AS3T2A1M2RE	Multi comp
TP1	Test pin	5014	Keystone
TP2	Test pin	5014	Keystone
TP3	Test pin	5014	Keystone
TP4	Test pin	5014	Keystone
TP5	Test pin	5011	Keystone
TP6	Test pin	5014	Keystone
TP7	Test pin	5014	Keystone
TP8	Test pin	5014	Keystone
TP9	Test pin	5014	Keystone
TP10	Test pin	5010	Keystone
TP11	Test pin	5011	Keystone
TP12	Test pin	5010	Keystone
TP13	Test pin	5011	Keystone

Schematic iJA Series



Board Layout iJA Series



BOM iJA Series

BOM.Ref Des	Description	Manufacturers.Mfr. Part Number	Manufacturer
C101	Capacitor	C3225X7R1C226MT	TDK
C102	Capacitor	C3225X7R1C226MT	TDK
C103	Capacitor	C3225X7R1C226MT	TDK
C104	Capacitor	C3225X7R1C226MT	TDK
C105	Capacitor	C3225X7R1C226MT	TDK
C106	Capacitor	C3225X7R1C226MT	TDK
C107	Capacitor	C3225X7R1C226MT	TDK
C108	Capacitor	C3225X7R1C226MT	TDK
C109	Capacitor	C3225X7R1C226MT	TDK
C110	Capacitor	C3225X7R1C226MT	TDK
C111	Capacitor	C3225X5R0J107MT	TDK
C112	Capacitor	C3225X5R0J107MT	TDK
C113	Capacitor	C3225X5R0J107MT	TDK
C114	Capacitor	C3225X5R0J107MT	TDK
C115	Capacitor	C3225X5R0J107MT	TDK
C116	Capacitor	C3225X5R0J107MT	TDK
C117	Capacitor	C3225X5R0J107MT	TDK
C118	Capacitor	C3225X5R0J107MT	TDK
C119	Capacitor	C3225X5R0J107MT	TDK
C120	Capacitor	C3225X5R0J107MT	TDK
C32	Capacitor	C1608X7R1H104KT	TDK
CONN1	Connector	8196	Keystone
CONN2	Connector	8196	Keystone
CONN5	Connector	8196	Keystone
CONN6	Connector	8196	Keystone
CR31	Zener diode SOD323	BZX384-B5V1	NXP semiconductor
J1	12 pin header	MC34771	Multi comp
PS1	Digital POL Module		TDK Lambda Americas Inc
PWB1	PWB		TDK Lambda Americas Inc
Q31	Transistor SOT323	MUN5135T1G	On semiconductor
Q32	Mosfet SOT323	RHU002N06	Rohm
R101	Resistor 0805	RK73H2ATTE1003F	KOA
R102	Resistor 0805	RK73H2ATTE1103F	KOA
R105	Resistor 0805	RK73Z2ATTE	KOA
R106	Resistor 0805	RK73Z2ATTE	KOA
R7	Resistor 0805	RK73Z2ATTE	KOA
R31	Resistor 0805	RK73H2ATTE1002F	KOA
R32	Resistor 0805	RK73H2ATTE1002F	KOA
R33	Resistor 0805	RK73H2ATTE1002F	KOA
R34	Resistor 0805	RK73H2ATTE1002F	KOA
SW31	Toggle switch	2AS3T2A1M2RE	Multi comp
TP1	Test pin	5014	Keystone
TP2	Test pin	5014	Keystone
TP3	Test pin	5014	Keystone
TP4	Test pin	5014	Keystone
TP5	Test pin	5011	Keystone
TP6	Test pin	5014	Keystone
TP7	Test pin	5014	Keystone
TP10	Test pin	5010	Keystone
TP11	Test pin	5011	Keystone
TP12	Test pin	5010	Keystone
TP13	Test pin	5011	Keystone