

THIS DRAWING IS UNPUBLISHED.

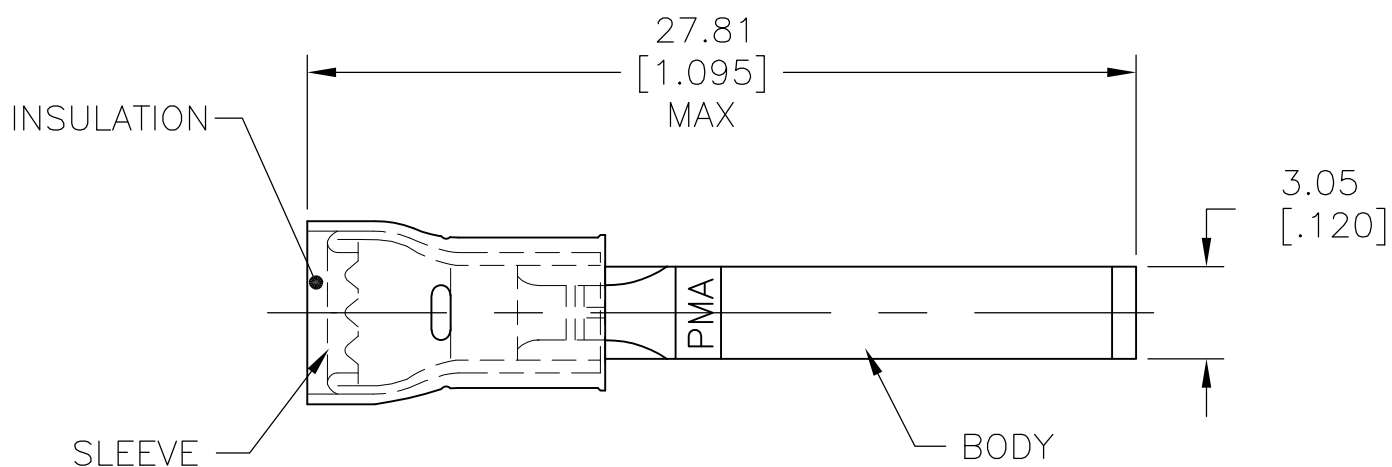
RELEASED FOR PUBLICATION

---

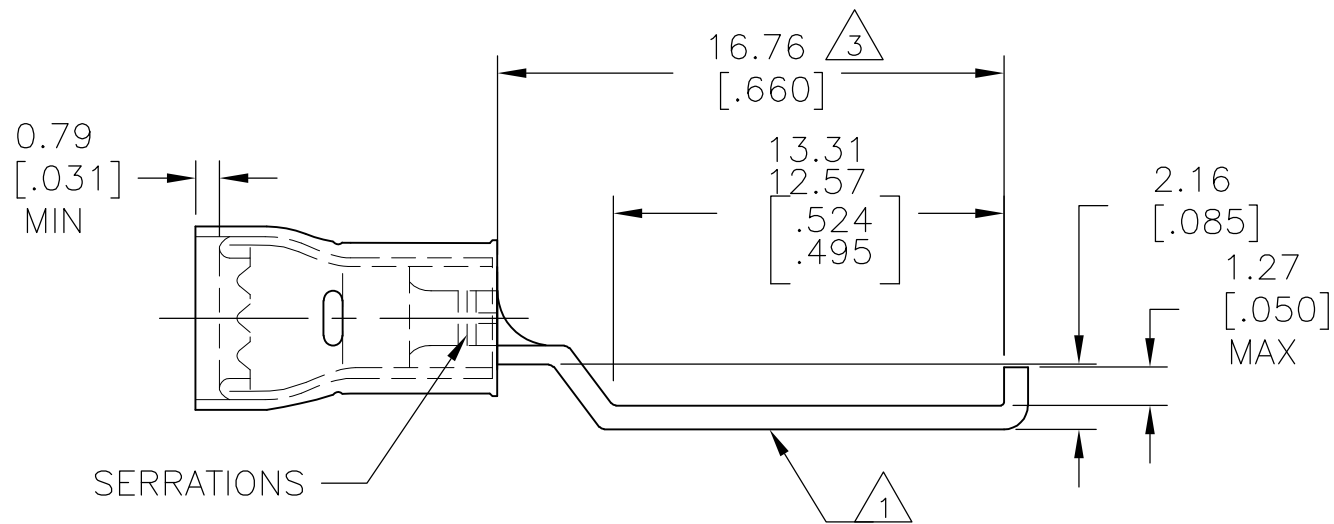
© COPYRIGHT - By -

ALL RIGHTS RESERVED.

| LOC | DIST | REVISIONS |     |                           |         |     |      |
|-----|------|-----------|-----|---------------------------|---------|-----|------|
|     |      | P         | LTR | DESCRIPTION               | DATE    | DWN | APVD |
| E   | -    |           | A1  | REVISED PER ECO-11-016594 | 17AUG11 | HMR | DR   |



- 1 TONGUE MATERIAL THK=0.79[.031].
- 2 WIRE INSUL.DIA. 2.67-3.36[.105-.140], TO SUIT 3.68[.154].
- 3 FROM EDGE OF METAL WIRE BBL TO EDGE OF LIP.
- 4 WIRE RANGE: 22-16 AWG



|  |  |                             |                            |                 |                     |
|--|--|-----------------------------|----------------------------|-----------------|---------------------|
| THIS DRAWING IS A CONTROLLED DOCUMENT.                             |  | DWN RAGHAVENDRA 17AUG2011   | <b>STE</b> TE Connectivity |                 |                     |
| DIMENSIONS:<br>mm [INCHES]   |  | CHK DANIEL ROHDE 17AUG2011  |                            |                 |                     |
| TOLERANCES UNLESS OTHERWISE SPECIFIED:                             |  | APVD DANIEL ROHDE 17AUG2011 | NAME                       |                 |                     |
|  |  | PRODUCT SPEC                | ASSY TERMINAL BLADE        |                 |                     |
|  |  | APPLICATION SPEC            | RESTRICTED TO              |                 |                     |
| MATERIAL<br>BODY & SLEEVE: Cu PER ASTM B152<br>INSULATION: PVC-RED |  | FINISH<br>TIN PER ASTM B545 | SIZE A3                    | CAGE CODE 00779 | DRAWING NO C-154708 |
| CUSTOMER DRAWING   |  |                             | SCALE 4:1                  | SHEET 1 OF 1    | REV A1              |