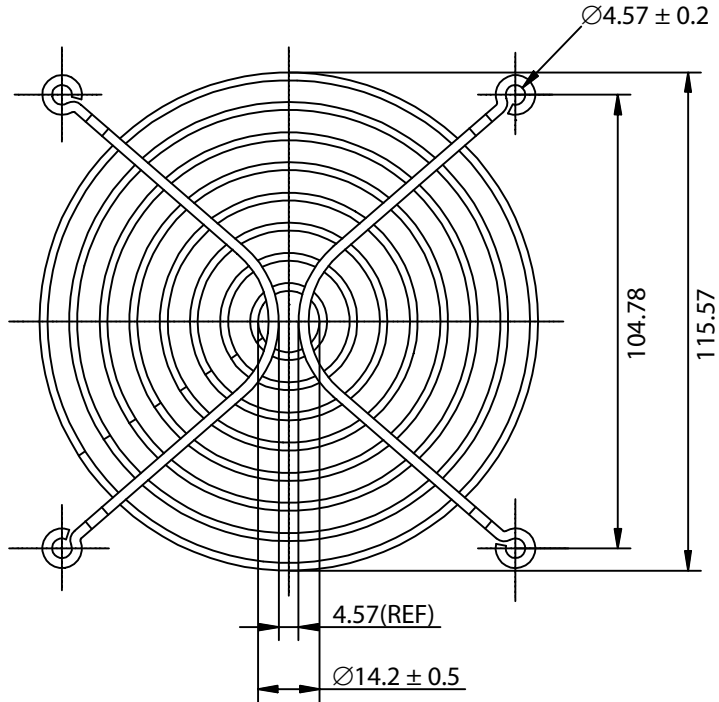


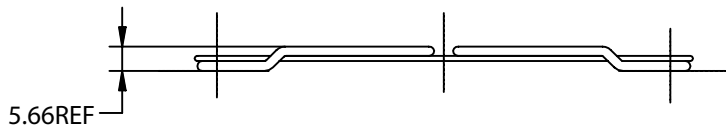
THESE DRAWINGS ARE THE PROPERTY OF QUALTEK ELECTRONICS AND NOT TO BE REPRODUCED FOR OR COMMUNICATED TO A THIRD PARTY WITHOUT THE EXPRESS WRITTEN PERMISSION OF AN OFFICER OF QUALTEK ELECTRONICS.

| REVISION |                 |          |          |
|----------|-----------------|----------|----------|
| REV.     | DESCRIPTION     | DATE     | APPROVED |
| A        | RoHS Compliancy | 06-01-06 | DP       |
|          |                 |          |          |
|          |                 |          |          |



NOTES:

1. MATERIAL: C1008 BRIGHT BASIC WIRE
2. FINISH: BRIGHT NICKEL CHROME PLATING
3. 0.35 ± 0.05 DEPTH OF SERRATIONS ON WIRE
4. RING:  $\varnothing 1.8 \pm 0.1\text{mm}$   
RIB:  $\varnothing 2.3 \pm 0.1\text{mm}$
5. GENERAL TOLERANCE UNLESS NOTED IS  $\pm 0.5\text{mm}$
6. RoHS COMPLIANT



**CONTROLLED**

| Dim range (mm) | Tolerance +/- (mm) | Qualtek Electronics Corp.<br>FAN-S DIVISION |                             |                 |
|----------------|--------------------|---|-----------------------------|-----------------|
|                |                    | Part Number:                                | RoHS Compliant              |                 |
| 0-5            | 0.1                | 08130                                       | WIRE FORM FAN GUARD (120mm) |                 |
| 5-16           | 0.15               |   |                             |                 |
| 16-64          | 0.2                |   | UNIT: mm                    | REV: A          |
| 64-250         | 0.4                |   | Checked / Date              | Approved / Date |
| 250-1000       | 0.5                | Drawn / Date                                | 12-06-04                    | JJH / 12-06-04  |
| 1000-1500      | 1.0                | B. ZHANG<br>12-06-04                        | 12-06-04                    |                 |