

MODEL:

SRW9U

SmartRack® Wall-Mount Rack Enclosure Cabinet



9 Rack Units



200 lb.
Load Rating



Sturdy Steel
Construction



Locking Doors
& Side Panels



Standard
19" Rack Width



Convenient
Cable Access



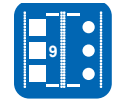
Adjustable
Mounting Rails



Ventilated for
Ample Airflow



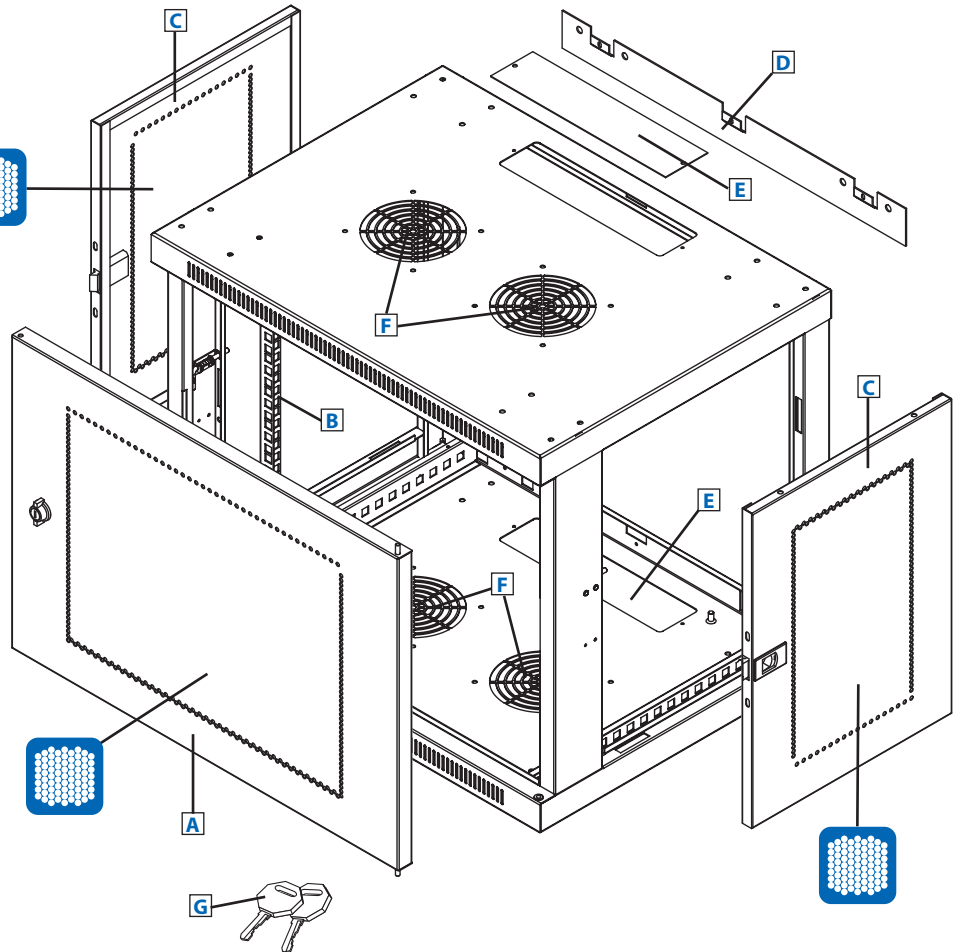
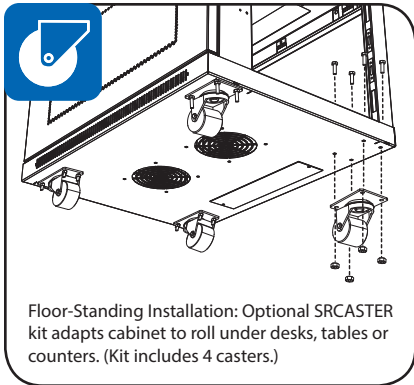
Reversible
Cabinet



Square/Threaded
Hole Mounting

- A** Front Door
(Lockable/Removable/Reversible)
- B** Adjustable Mounting Rails (2)
- C** Side Panels (2)
(Lockable/Removable)
- D** Mounting Plate
(Removable. Includes mounting
hooks for cabinet.)
- E** Cable Access Port Covers (2)
(Removable)
- F** Ventilation Fan Ports (4)
(Support optional SRFANWM fan kit.)
- G** Keys (2)

Also Includes: Owner's manual, mounting plate screws (3), cabinet ground screw, pre-installed front door ground wire and rackmount equipment mounting hardware (12 cage nuts, 12 mounting screws, 12 nylon cup washers).



- Wall-mount enclosures provide convenient, locking storage for rackmount IT devices and other equipment that should be off the floor, out of the way and secure
- The cabinet is fully reversible, allowing installers to change door hinges from left to right by simply rotating the unit 180 degrees before mounting

SEE NEXT PAGE FOR DETAILED UNIT MEASUREMENTS



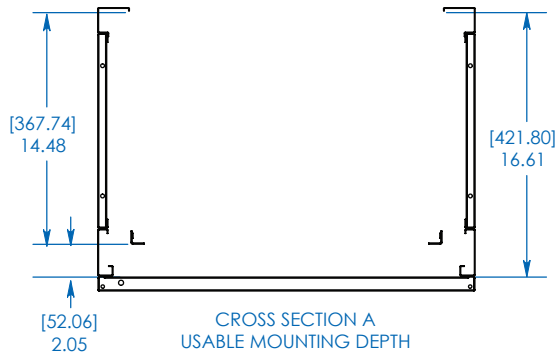
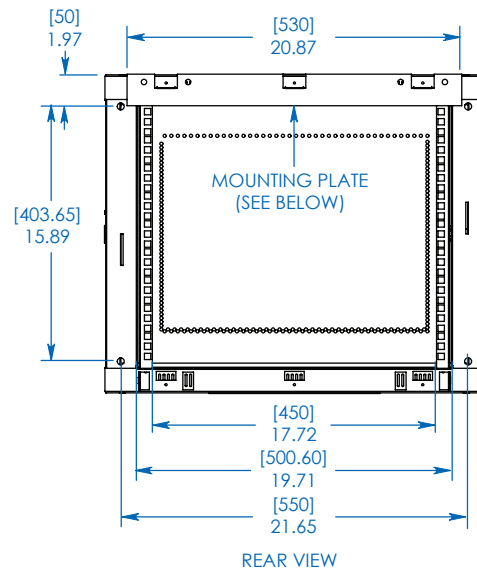
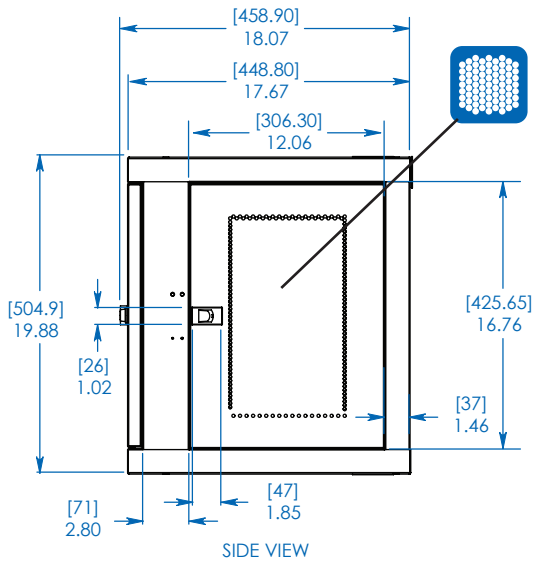
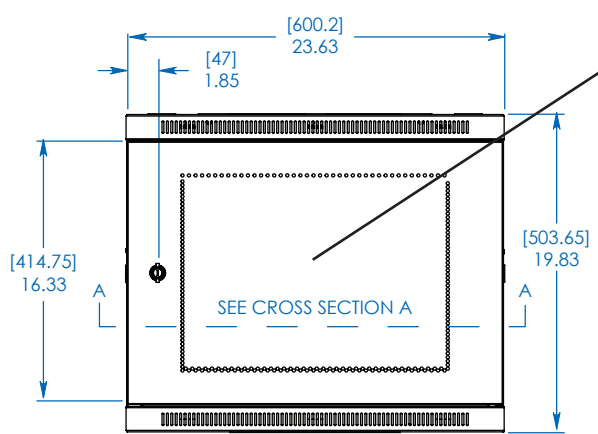
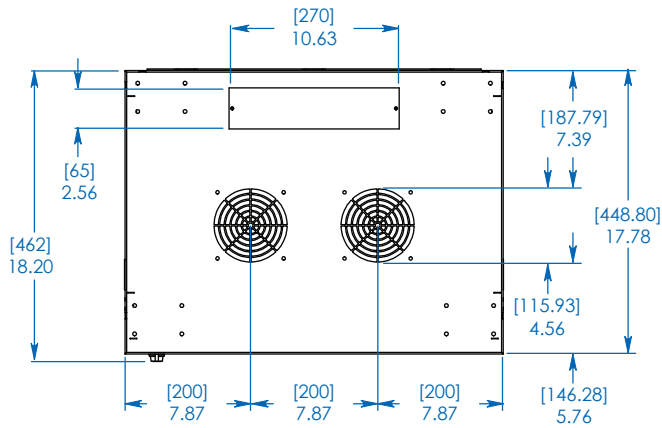
1111 W. 35th Street
Chicago, IL 60609 USA
773.869.1234
www.tripplite.com

Specifications

Model	SRW9U
Rack Spaces	9U
Equipment Mounting Depth	Up to 16.5 in. / 419 mm
Load Rating*	200 lb. / 90.7 kg
Unit Dimensions (H x W x D)	19.88 x 23.63 x 17.78 in. / 504.9 x 600.2 x 451.6 mm
Shipping Dimensions (H x W x D)	22.6 x 26.4 x 20.5 in. / 574.0 x 670.6 x 520.7 mm
Unit Weight	35 lb. / 15.9 kg
Shipping Weight	38.4 lb. / 17.4 kg
Standards	Tested to EIA/ECA-310-E, UL/CSA 60950-1, NOM (Mexico), RoHS

* The load rating includes the combined weight of the unit and installed equipment. The unit must be mounted to a stable surface with user-supplied anchors capable of bearing the full load.

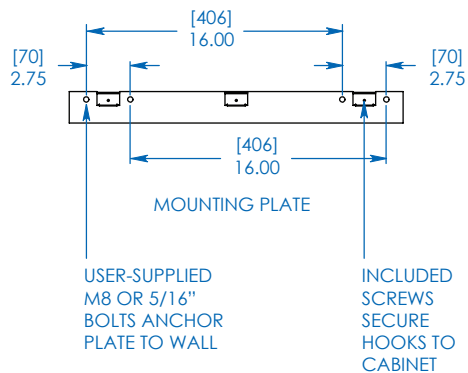
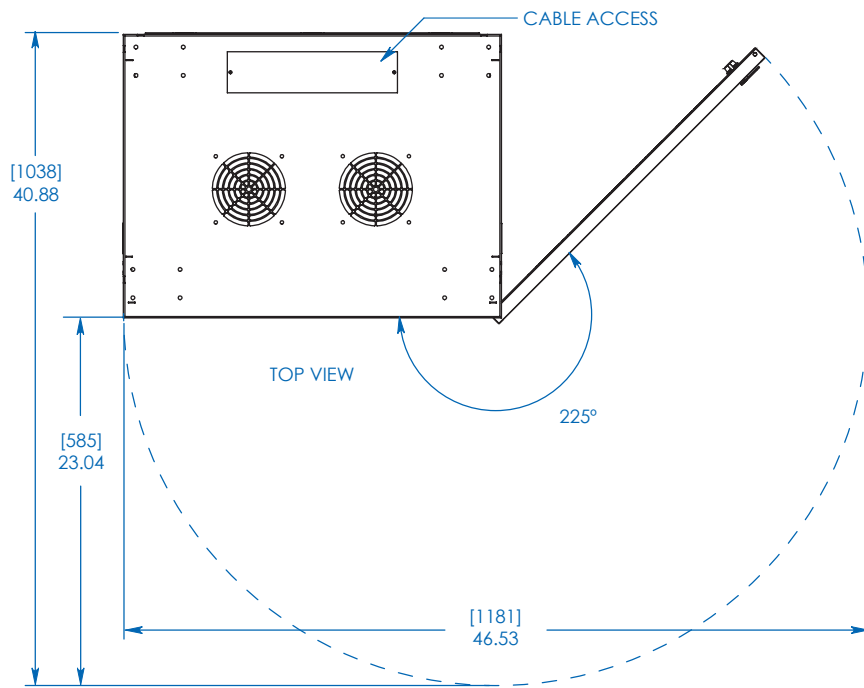




Dimensions: [mm] INCHES

Tripp Lite has a policy of continuous improvement. Specifications are subject to change without notice.

MODEL:
SRW9U
TRIPP·LITE



MODEL:
SRW9U

TRIPP·LITE

1111 W. 35th Street
Chicago, IL 60609 USA
773.869.1234
www.tripplite.com

Dimensions: [mm] INCHES

Tripp Lite has a policy of continuous improvement. Specifications are subject to change without notice.