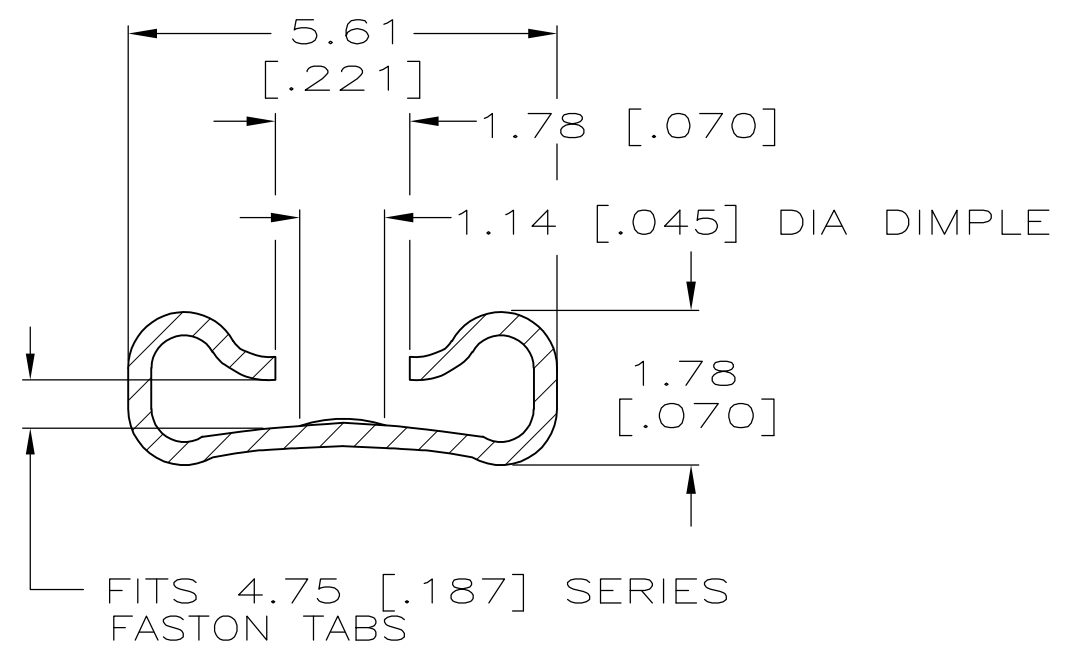
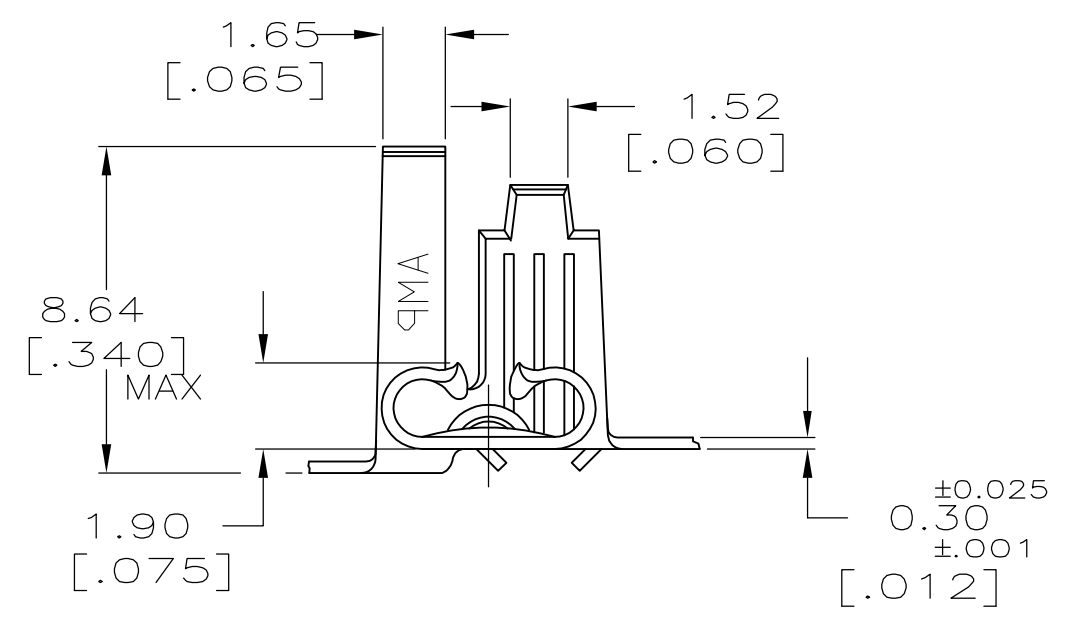
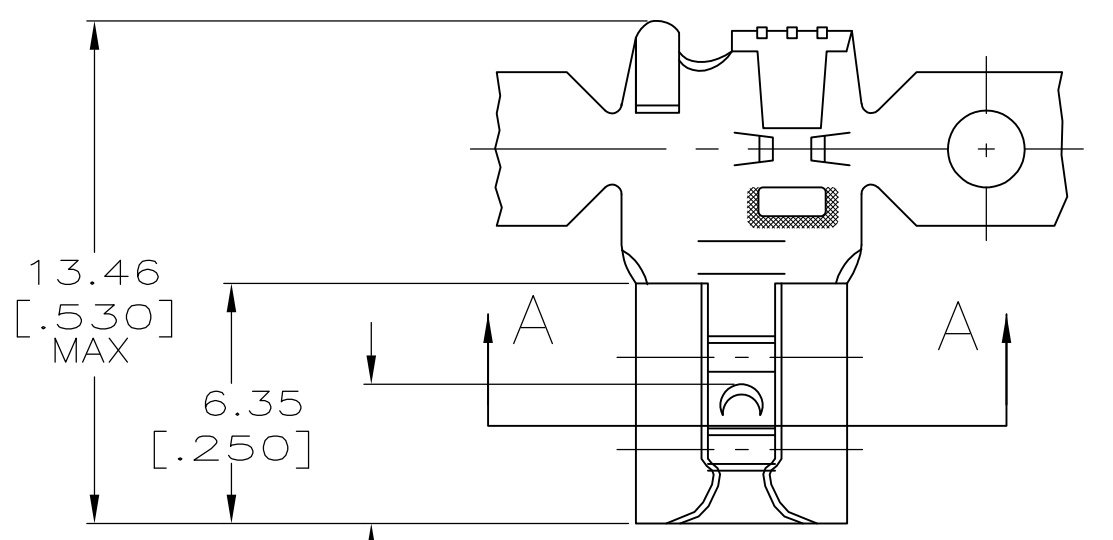


THIS DRAWING IS UNPUBLISHED. RELEASED FOR PUBLICATION  
 © COPYRIGHT - By - ALL RIGHTS RESERVED.

LOC	DIST	REVISIONS			
P	LTR	DESCRIPTION	DATE	DWN	APVD
AF	50	H	REVISED PER ECR-12-013445	18OCT12	KH PD



SECTION A-A  
SCALE 10:1

1 CONTINUOUS STRIP ON REELS.

TIN	2.79-4.32	0.5-1.3mm <sup>2</sup>	42800-2
-	[.110-.170] DIA	[20-16]AWG	42800-1
FINISH	INSULATION RANGE	WIRE SIZE	MATING TAB THK ±0.025 [.001] PART NO

THIS DRAWING IS A CONTROLLED DOCUMENT.		DWN JR RUTH 11/1/91	TE Connectivity RECEPTACLE, FASTON, 4.75 [.187] SERIES	
DIMENSIONS: mm [INCHES]		CHK MS FEHER 11/1/91		
TOLERANCES UNLESS OTHERWISE SPECIFIED:		APVD C MEYERS 11/1/91		
0 PLC ± - 1 PLC ± - 2 PLC ± 0.25 [.010] 3 PLC ± - 4 PLC ± - ANGLES ± -		NAME		
MATERIAL BRASS		FINISH SEE TABLE	PRODUCT SPEC -	SIZE A3
			APPLICATION SPEC -	CAGE CODE 00779
			WEIGHT -	DRAWING NO C-42800
			CUSTOMER DRAWING	RESTRICTED TO -
				SCALE 5:1
				SHEET 1 OF 1
				REV H

