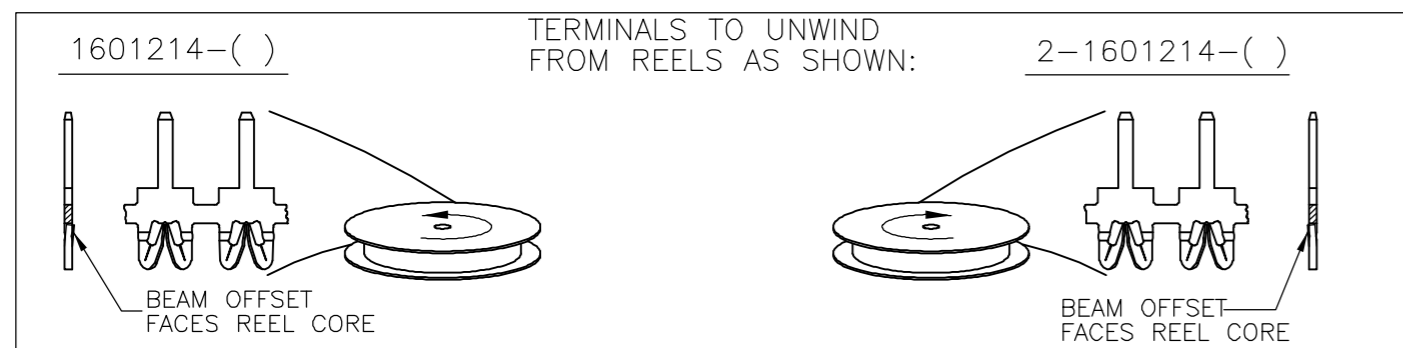
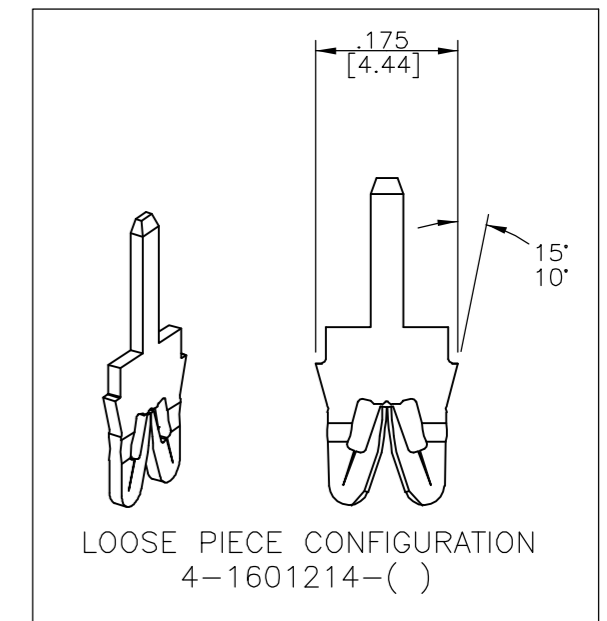
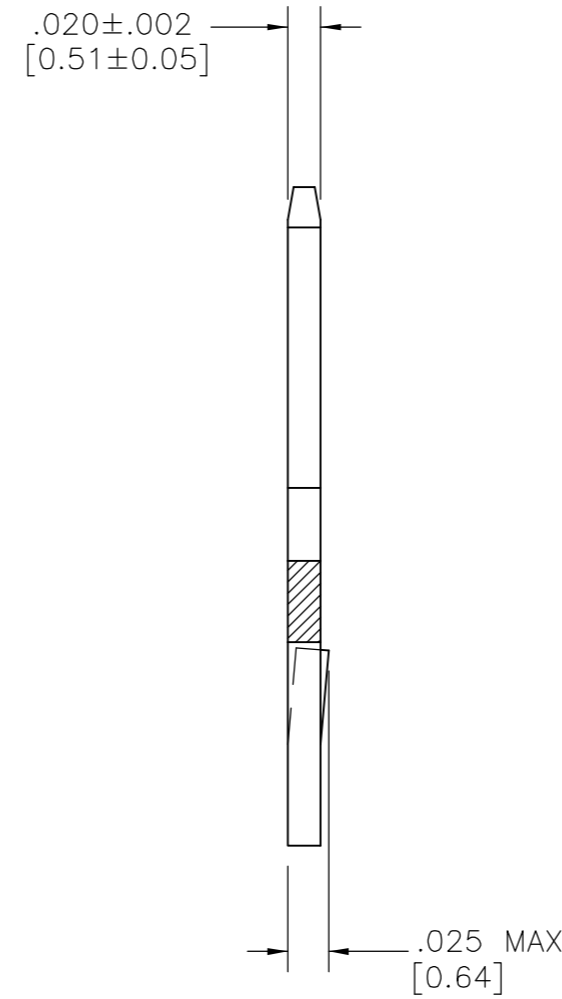
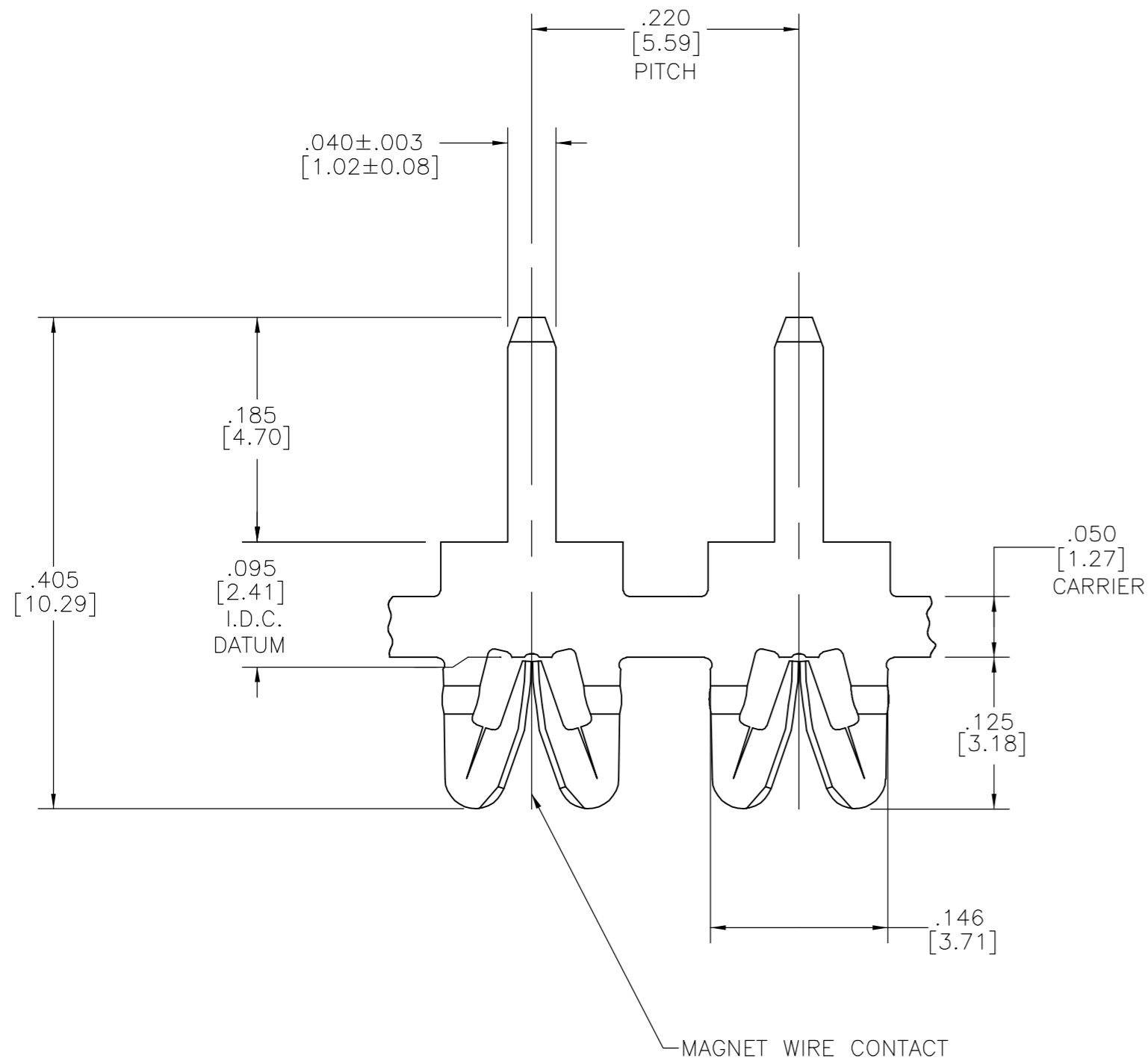


THIS DRAWING IS UNPUBLISHED. RELEASED FOR PUBLICATION
 © COPYRIGHT BY TYCO ELECTRONICS CORPORATION. ALL RIGHTS RESERVED.

LOC	DIST	REVISIONS			
P	LTR	DESCRIPTION	DATE	DWN	APVD
AF	50	A1	REVISED PER ECR-06-023430	12OCT06	HMR GJ

- 1 SPECIFICATION: MAGNET WIRE #18-#34 AWG, .040-.006 [1.02-0.16 mm] DIA COPPER.
- 2 POCKET RECOMMENDATION: 1601424.
- 3 TERMINALS SUPPLIED ON REELS, CAN BE SUPPLIED LOOSE PIECE.
- △ 4 TERMINAL APPLICATION TO COMPLY WITH TYCO ELECTRONICS SPECIFICATION 114-13166 FIGURE 5.



THIS DRAWING IS A CONTROLLED DOCUMENT.	
DIMENSIONS: INCHES	TOLERANCES UNLESS OTHERWISE SPECIFIED:
	0 PLC ± -
	1 PLC ± -
	2 PLC ± .01[0.25]
	3 PLC ± .005[.13]
	4 PLC ± -
	ANGLES ± 2°
MATERIAL: BRASS, H04	FINISH: SEE TABLE

POST TIN PLATE OVER NICKEL PLATE		1601214-2	
FINISH		PART NUMBER	
DWN M.S. FEHER 23SEP2005		Tyco Electronics Corporation Harrisburg, PA 17105-3608	
CHK G. JACONO 23SEP2005		NAME	
APVD G. JACONO 23SEP2005		PRODUCT SPEC	
APPLICATION SPEC		STANDARD RANGE WIRE TO P.C.B. TAB SIAMEZE TERMINAL	
SIZE	CAGE CODE	DRAWING NO	RESTRICTED TO
A2	00779	C=1601214	-
CUSTOMER DRAWING		SCALE 1:3	SHEET 1 OF 1 REV A1