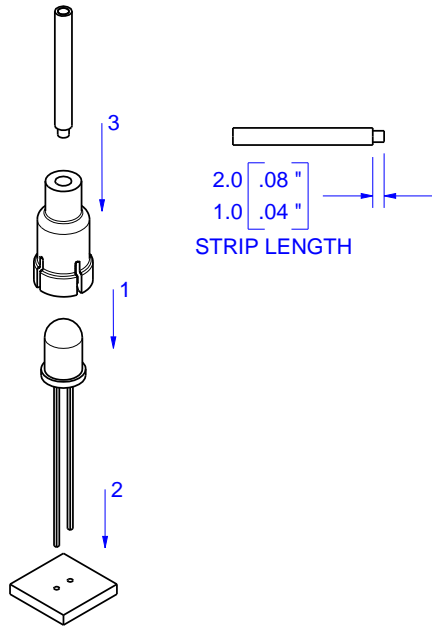
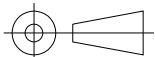
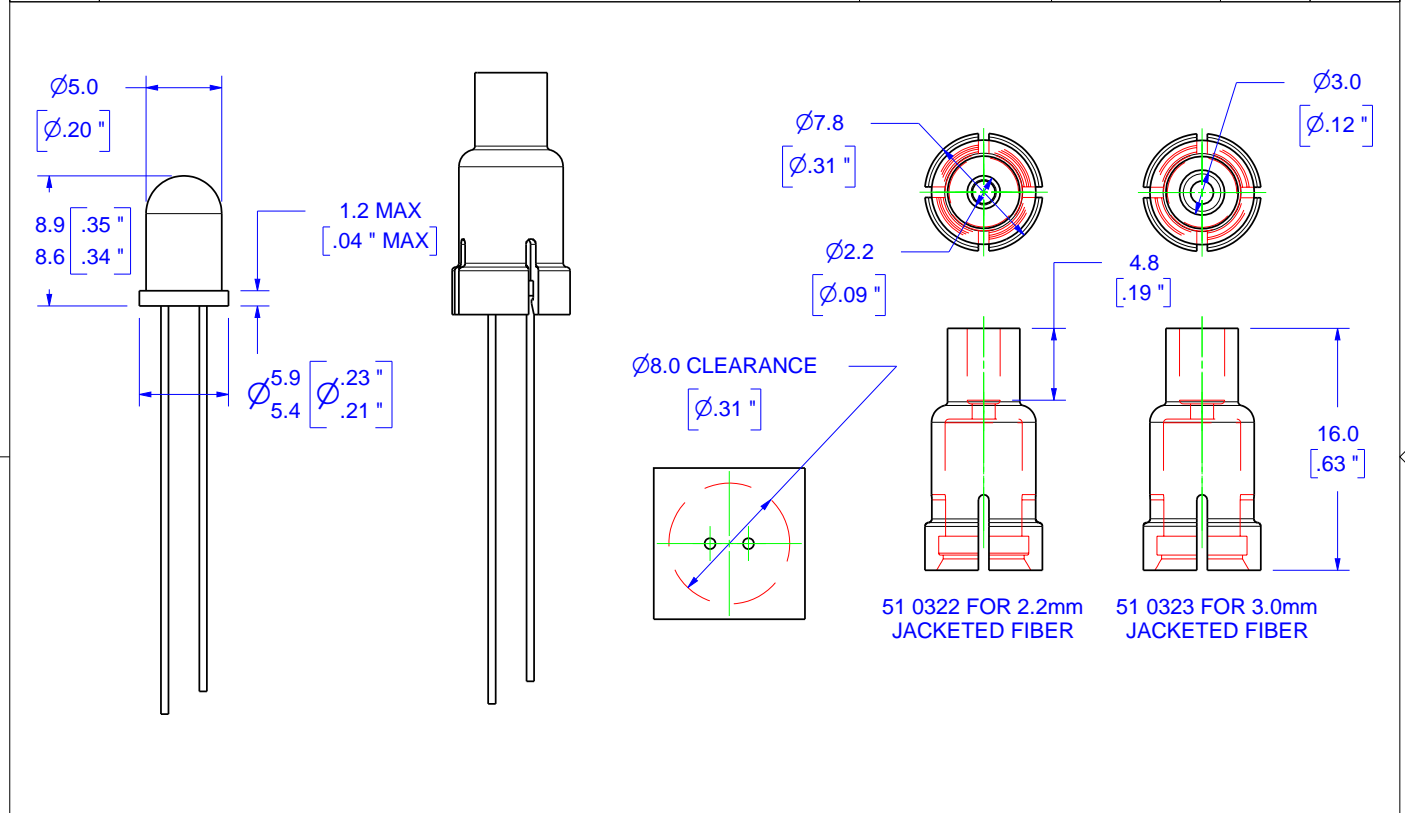


© COPYRIGHT 2012 BY INDUSTRIAL FIBER OPTICS, INC.
ALL RIGHTS RESERVED.



- NOTES:**
1. RoHS COMPLIANT
 2. UL94 HB FLAMMABILITY RATING
 3. -40° C TO 85° C OPERATING TEMPERATURE
 4. SUITABLE FOR 2.2mm OR 3mm JACKETED LIGHT PIPE WITH A FIBER DIAMETER UP TO 1.5mm
 5. DO NOT WAVE SOLDER WITH THIS DEVICE
 6. FOR BEST RESULTS USE ONLY NARROW VIEWING ANGLE NON-DIFFUSED LEDs WITH OUTPUT POWER GREATER THAN 100mcd
 7. NOT RECOMMENDED FOR DATA COMMUNICATIONS

REVISIONS					
REV	DESCRIPTION	ECO	DATE	DWN	APVD
A	Initial release		1/3/2012	BB	AR



METRIC

UNLESS OTHERWISE SPECIFIED		PRODUCT		Industrial Fiber Optics TEMPE, AZ 85281			
DIMENSIONS MILLIMETERS [IN.]		MATERIAL					
TOLERANCES		FINISH		SIZE	SCALE	PART NUMBER	REV
0 PLC: ± 1	SURFACE TEXTURE: \checkmark 3.2	Black Nylon 6/6		A	2:1	51 0322	A
1 PLC: ± .25		DRAWN BY		DO NOT SCALE DRAWING			
2 PLC: ± .127		B. Bidwell		Sheet 1 of 1			
3 PLC: ± .025		DATE					
4 PLC: ± .013		1/3/2012					
ANGLE: ± 1/2°	CHECKED BY		DATE				
REMOVE BURRS AND SHARP EDGES	A. Reyes		1/3/2012				
FLATNESS .005mm PER mm	DATE						
ALL DIMENSIONS AFTER FINISH	1/3/2012						