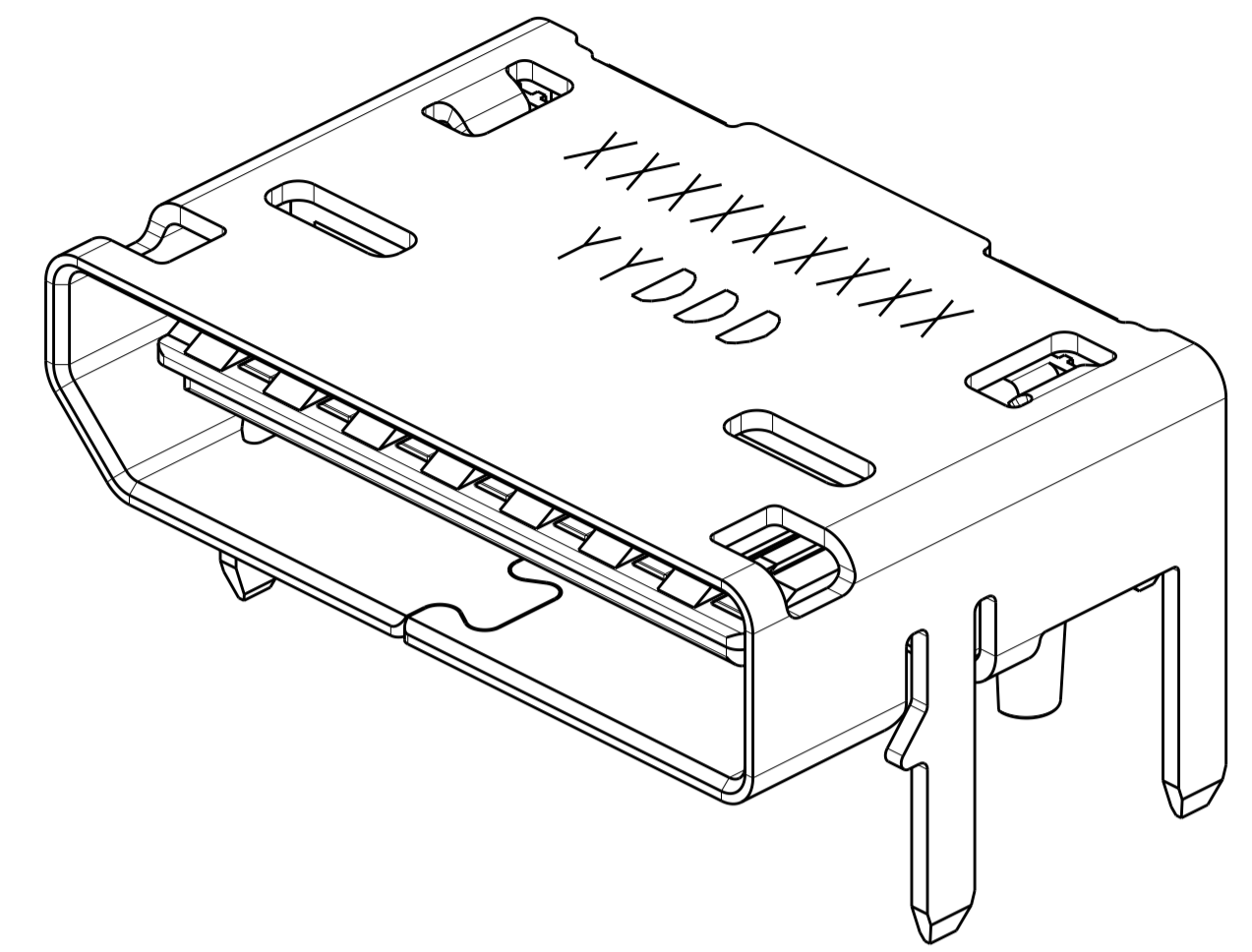
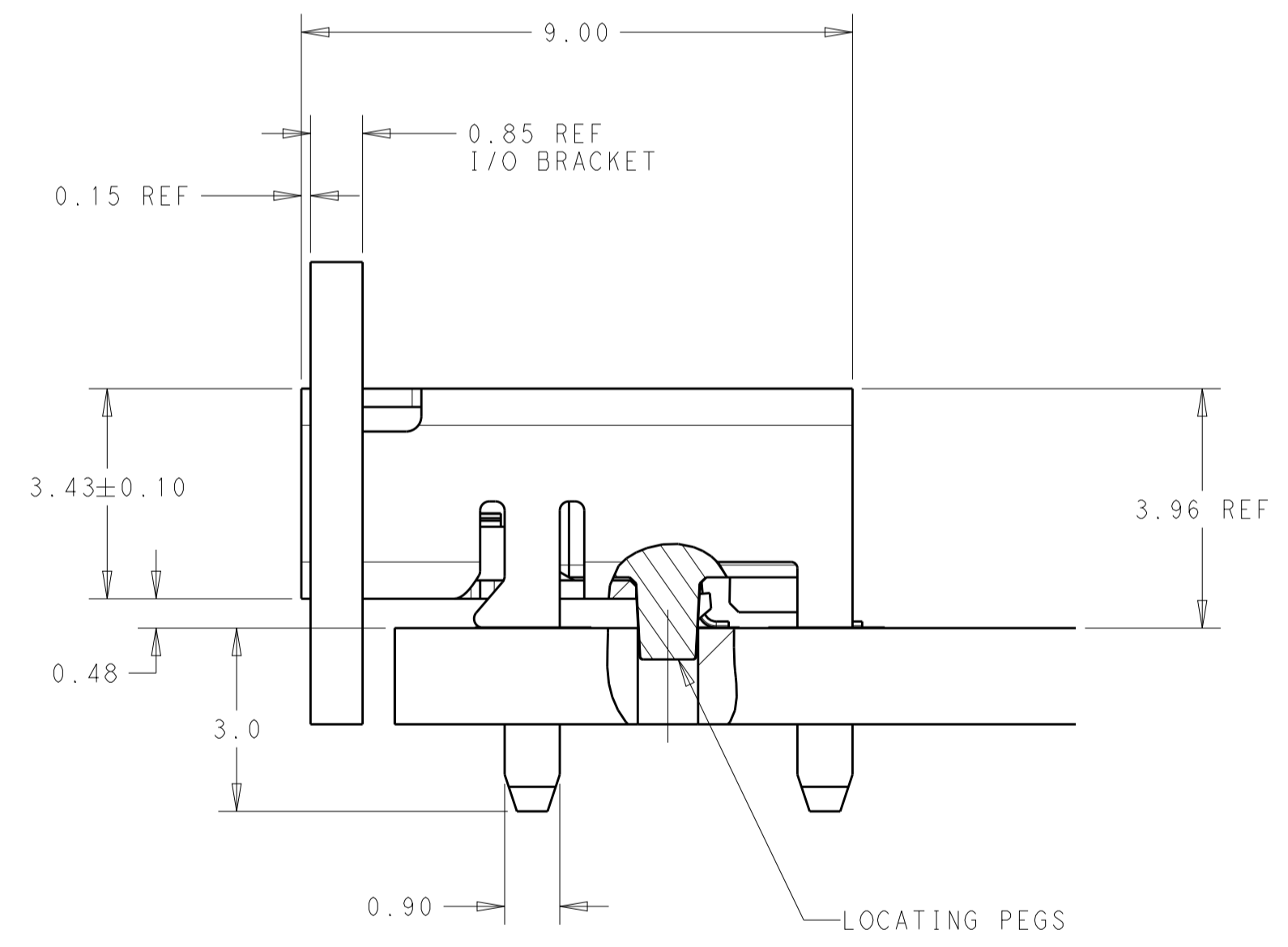
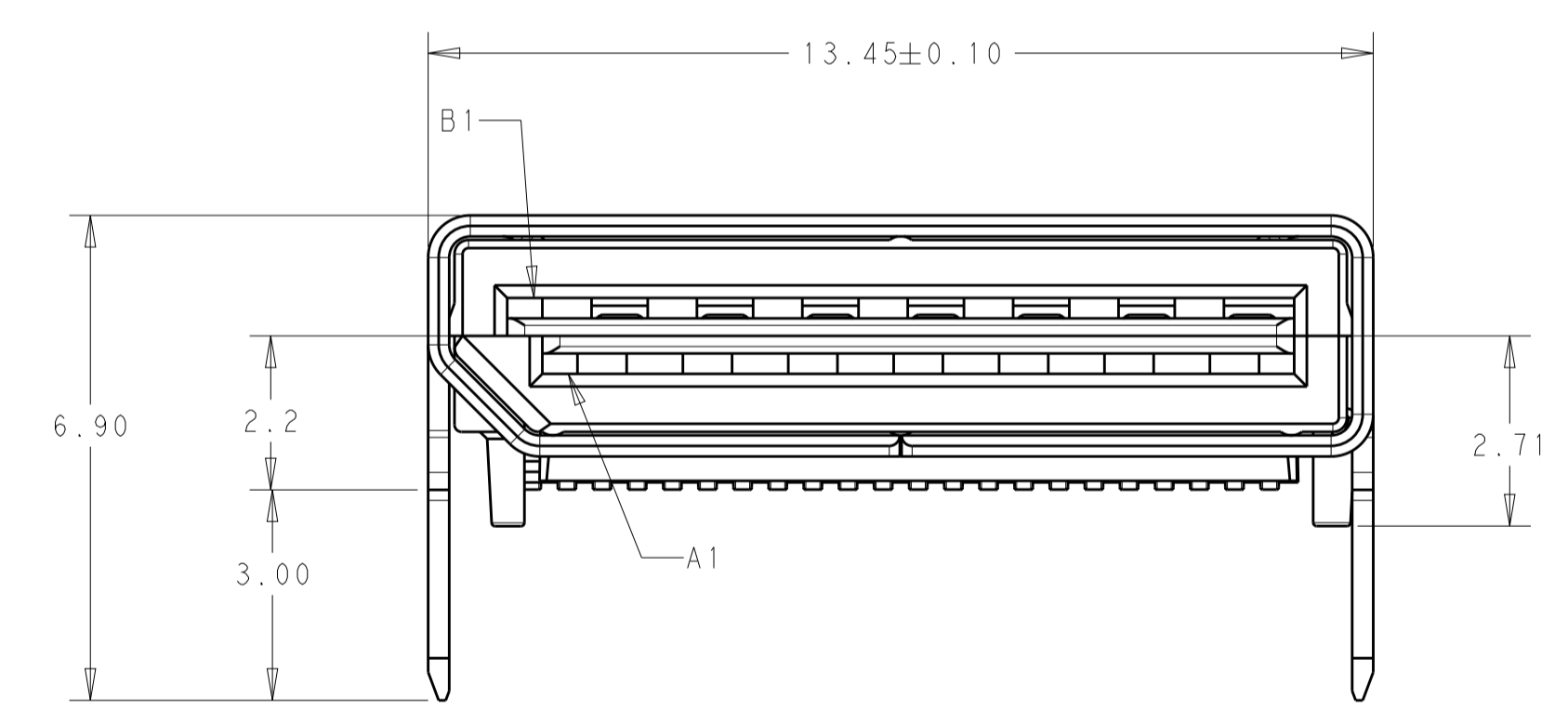
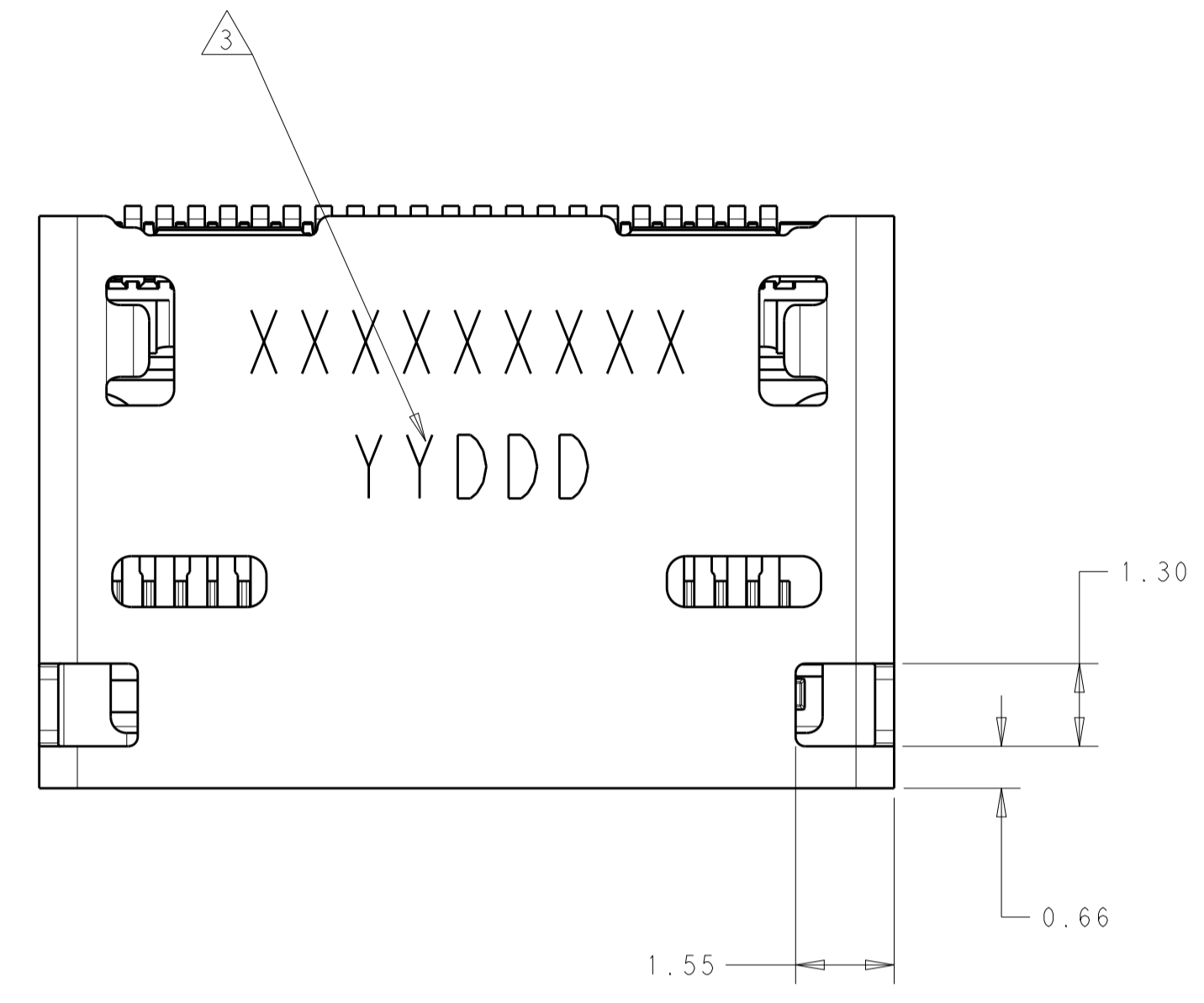


REVISIONS				
P.	LTN	DESCRIPTION	DATE	OWN APVD
A		INITIAL RELEASE	14NOV2017	LL SH



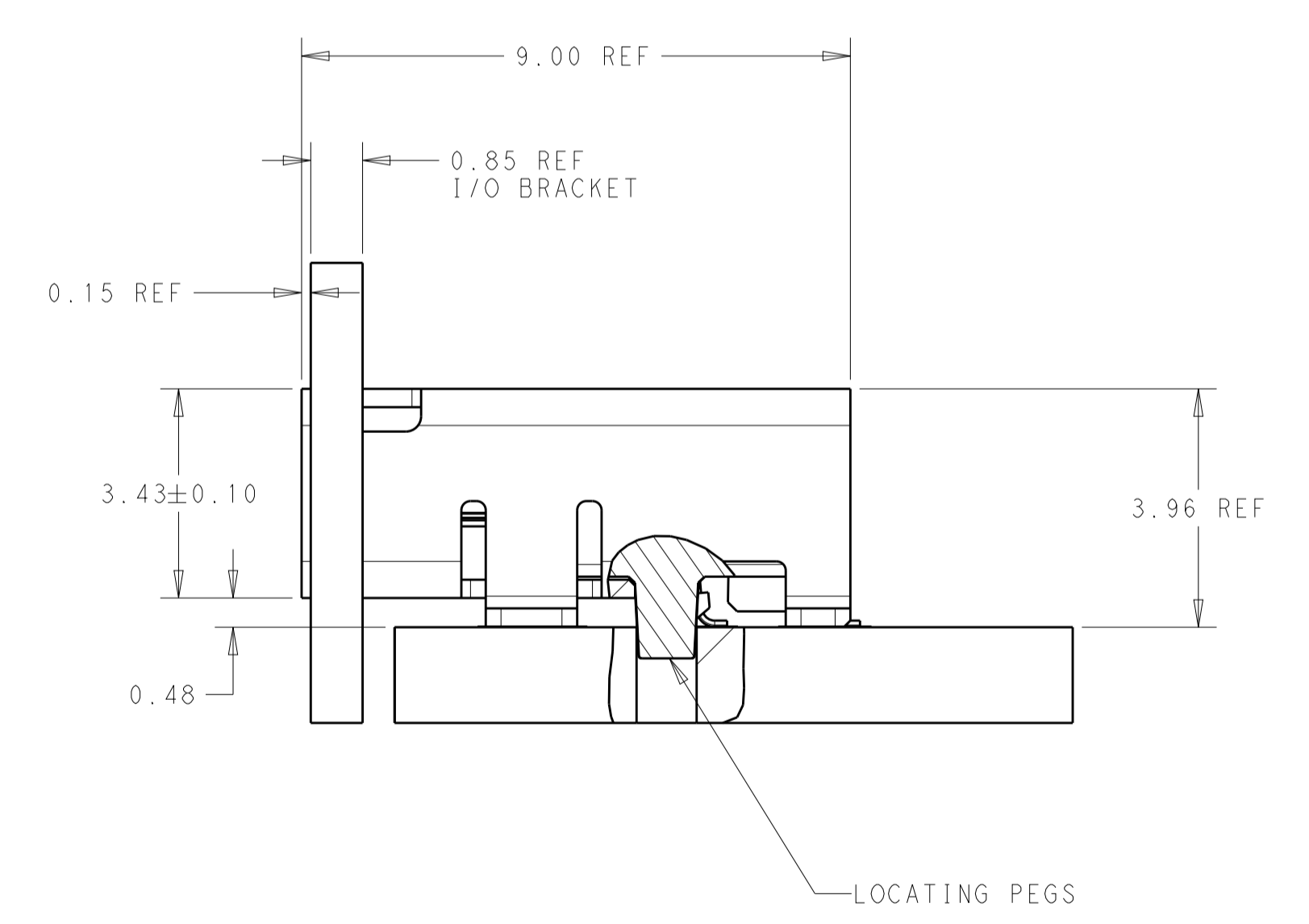
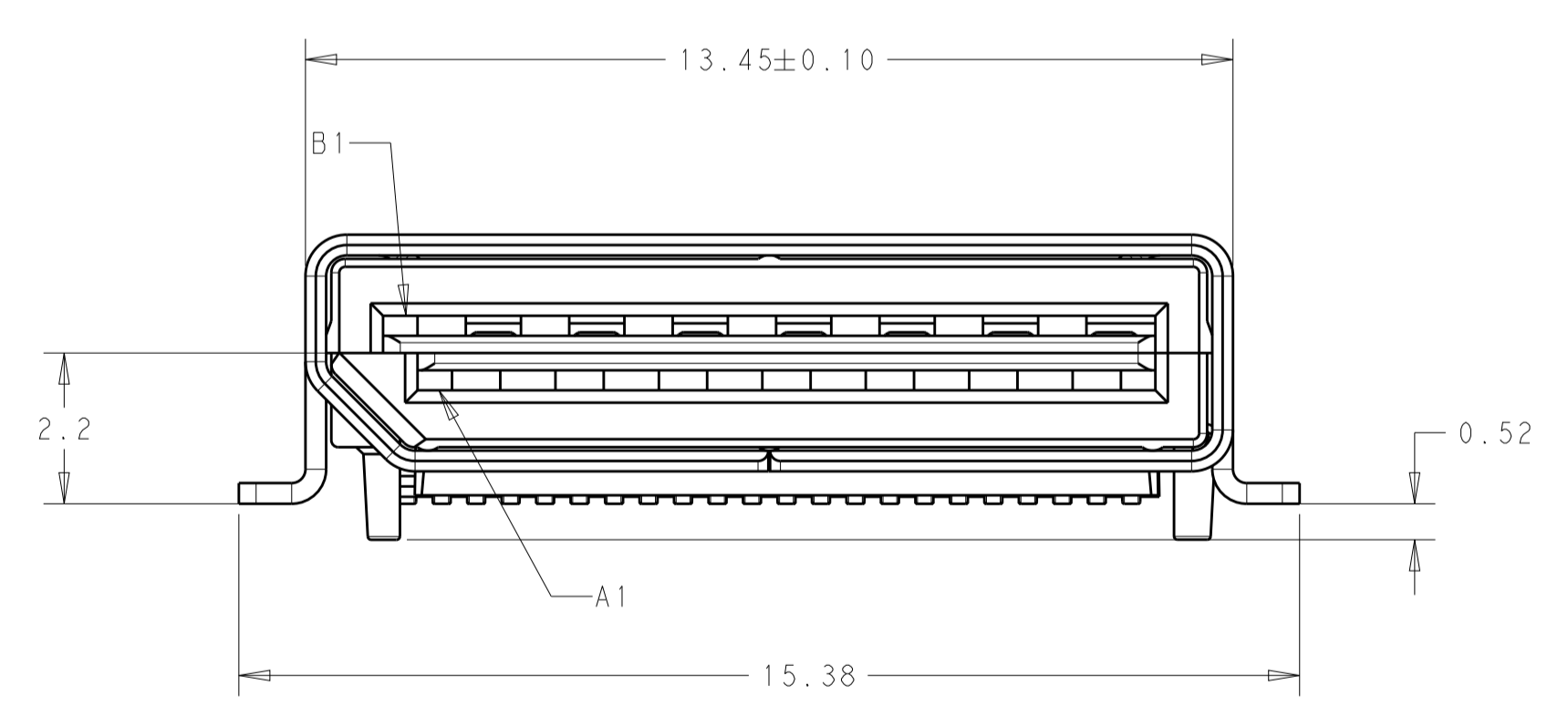
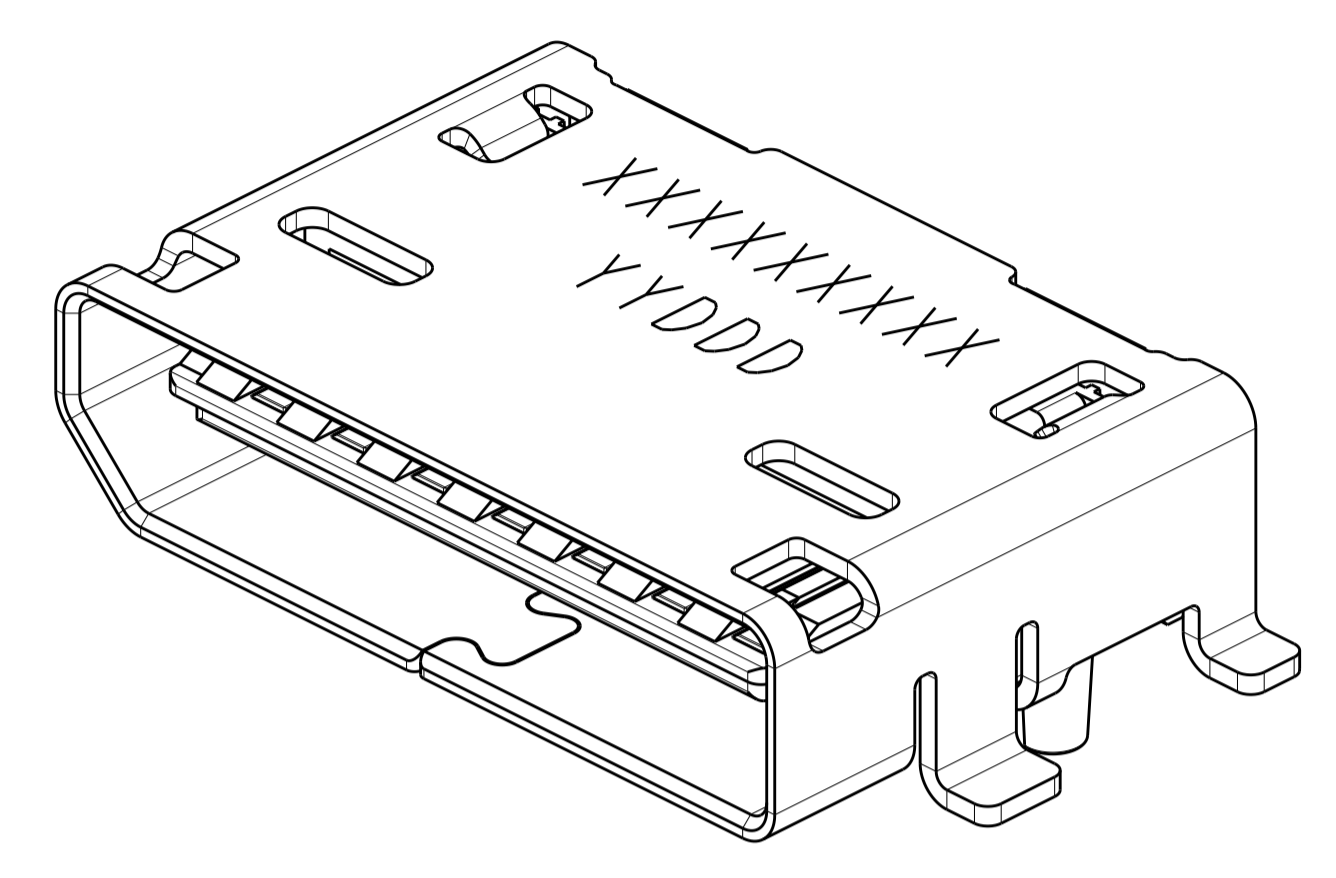
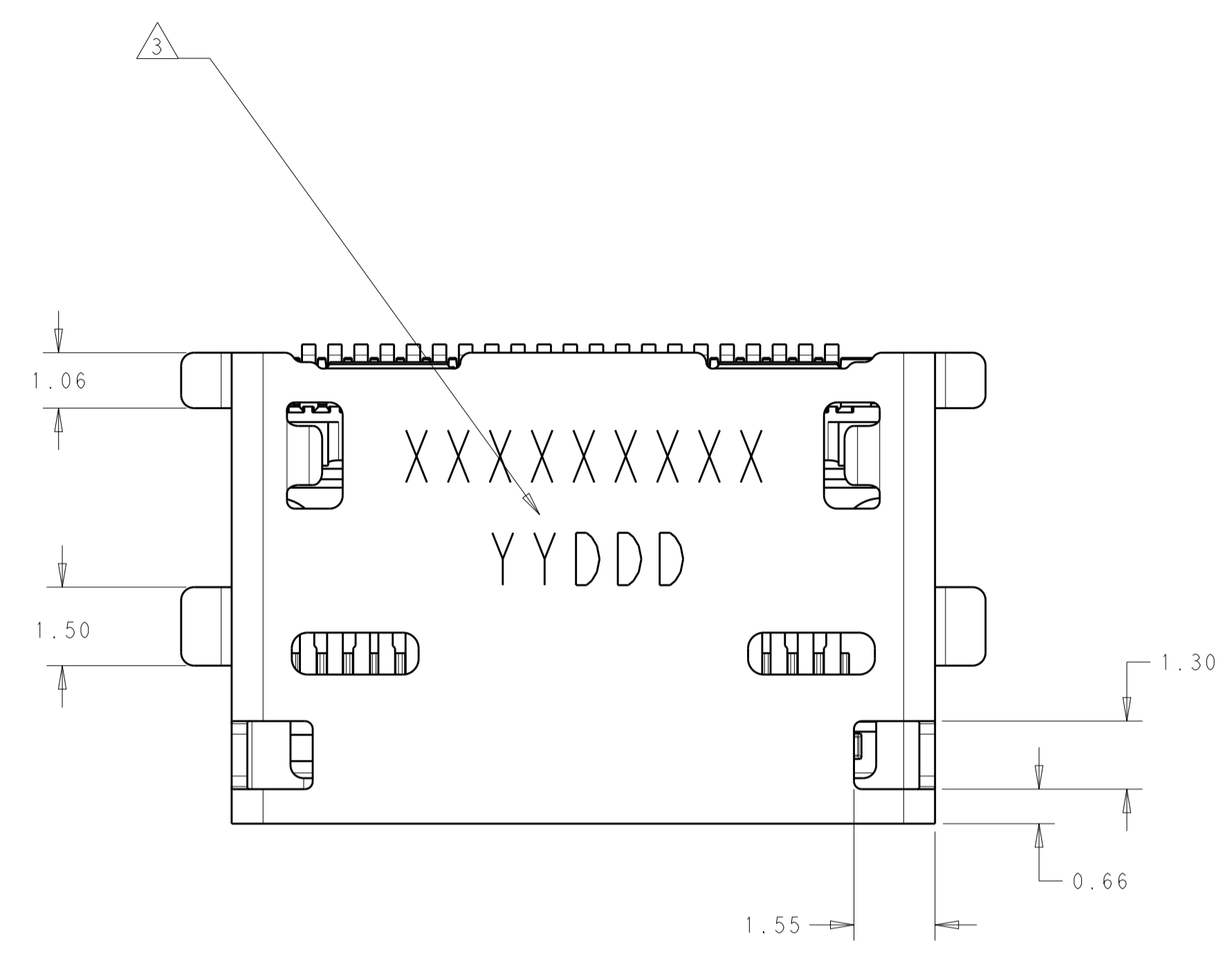
- MATERIALS:  
 HOUSING: GLASS FILLED THERMOPLASTIC, 94V-0  
 CONTACTS: HIGH PERFORMANCE COPPER ALLOY  
 SHIELD: STAINLESS STEEL.
  - FINISH:  
 CONTACTS: 0.00076 MIN GOLD ON CONTACT AREA, 0.00254 MIN TIN ON SOLDER TAILS, ALL OVER 0.002 MIN NICKEL UNDERPLATE ON ENTIRE CONTACT.  
 SHIELD: MATTE TIN OVER 0.00127 MIN. NICKEL.
- △ PART NUMBER AND DATE CODE MARKED IN APPROXIMATE AREA AS SHOWN.
- 4 SOLDER TAIL COPLANARITY IS 0.10 MAX.



42 CIRCUIT TH ASSEMBLY  
 PART NUMBER: 2308578-1

THIS DRAWING IS A CONTROLLED DOCUMENT.		OWN: LEO LI 08FEB2017	PART NUMBER 2308578-1	
DIMENSIONS: mm		CHK: SEAN HAN 08FEB2017	TE Connectivity NAME: NANO PITCH I/O FIXED RIGHT ANGLE, 4X PRODUCT SPEC: 108-60118 APPLICATION SPEC: 114-60024	
TOLERANCES UNLESS OTHERWISE SPECIFIED: 0 PLC ± 1 PLC ±0.25 2 PLC ±0.13 3 PLC ± 4 PLC ± ANGLES ±		APVD: SEAN HAN 08FEB2017		
MATERIAL: SEE NOTE		FINISH: SEE NOTE	SIZE: A1	RESTRICTED TO: -
		WEIGHT: -	SCALE: 10:1	SHEET 1 OF 5 REV A
		CUSTOMER DRAWING		

REVISIONS				
P.	LTN	DESCRIPTION	DATE	OWN APVD
-	-	SEE SHEET 1	-	-



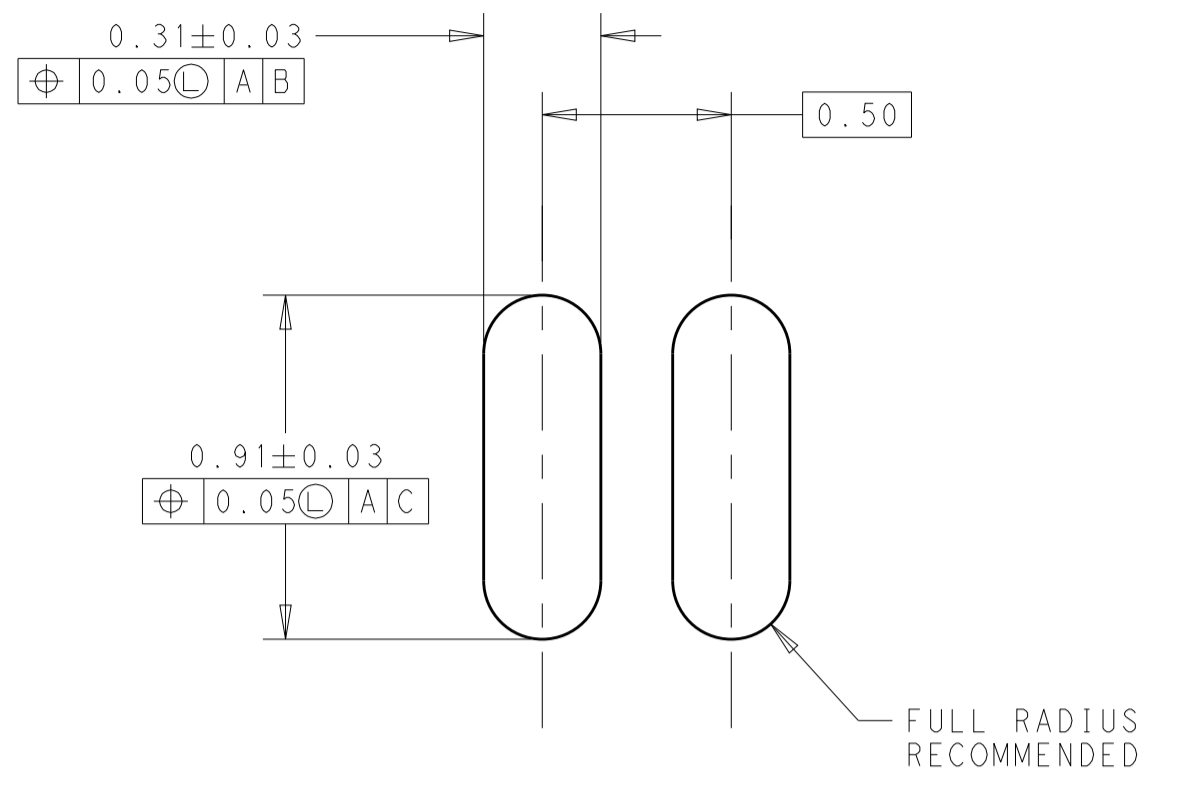
42 CIRCUIT SMT ASSEMBLY  
 PART NUMBER: 2308578-2

PART NUMBER 2308578-2

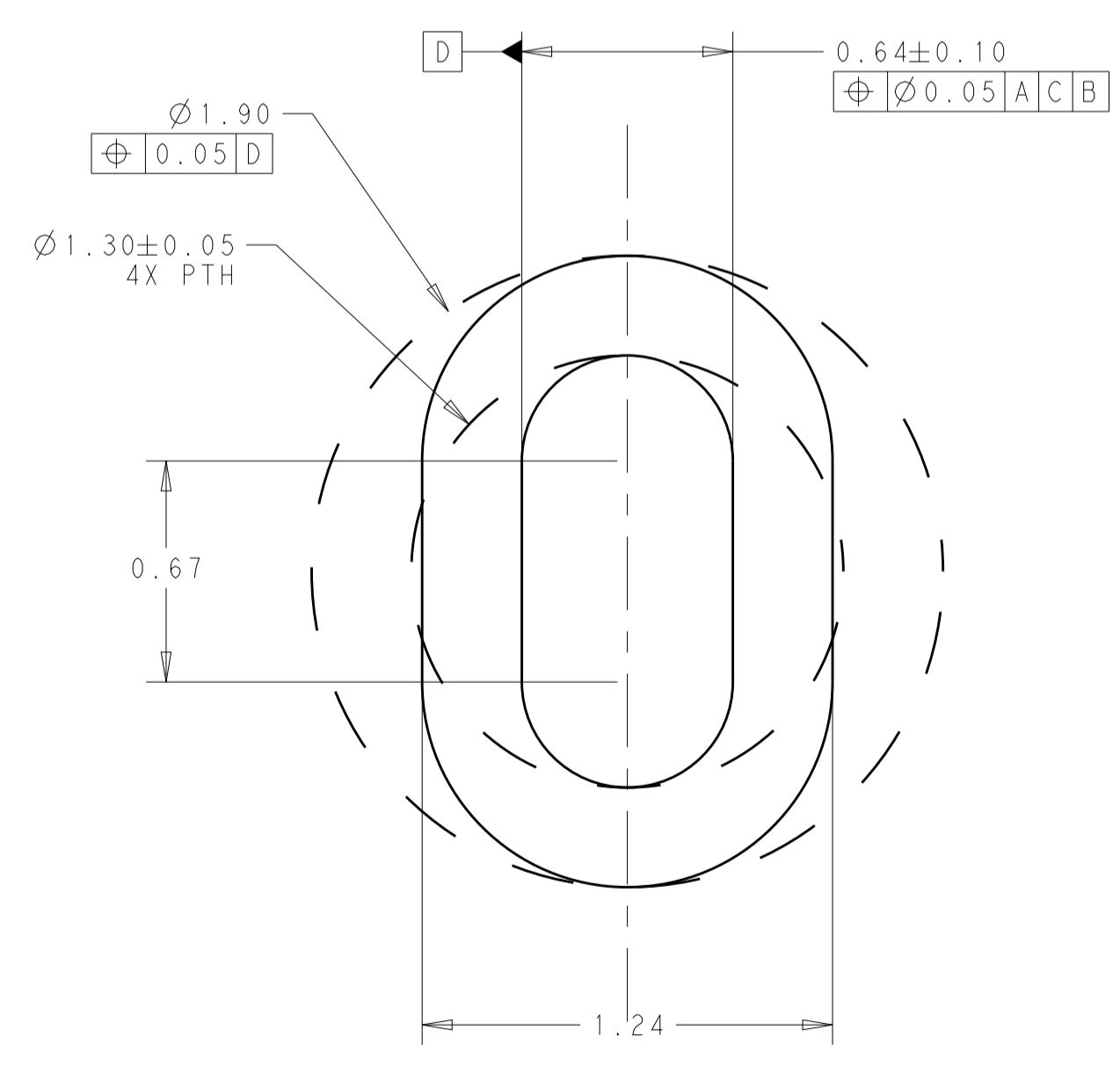
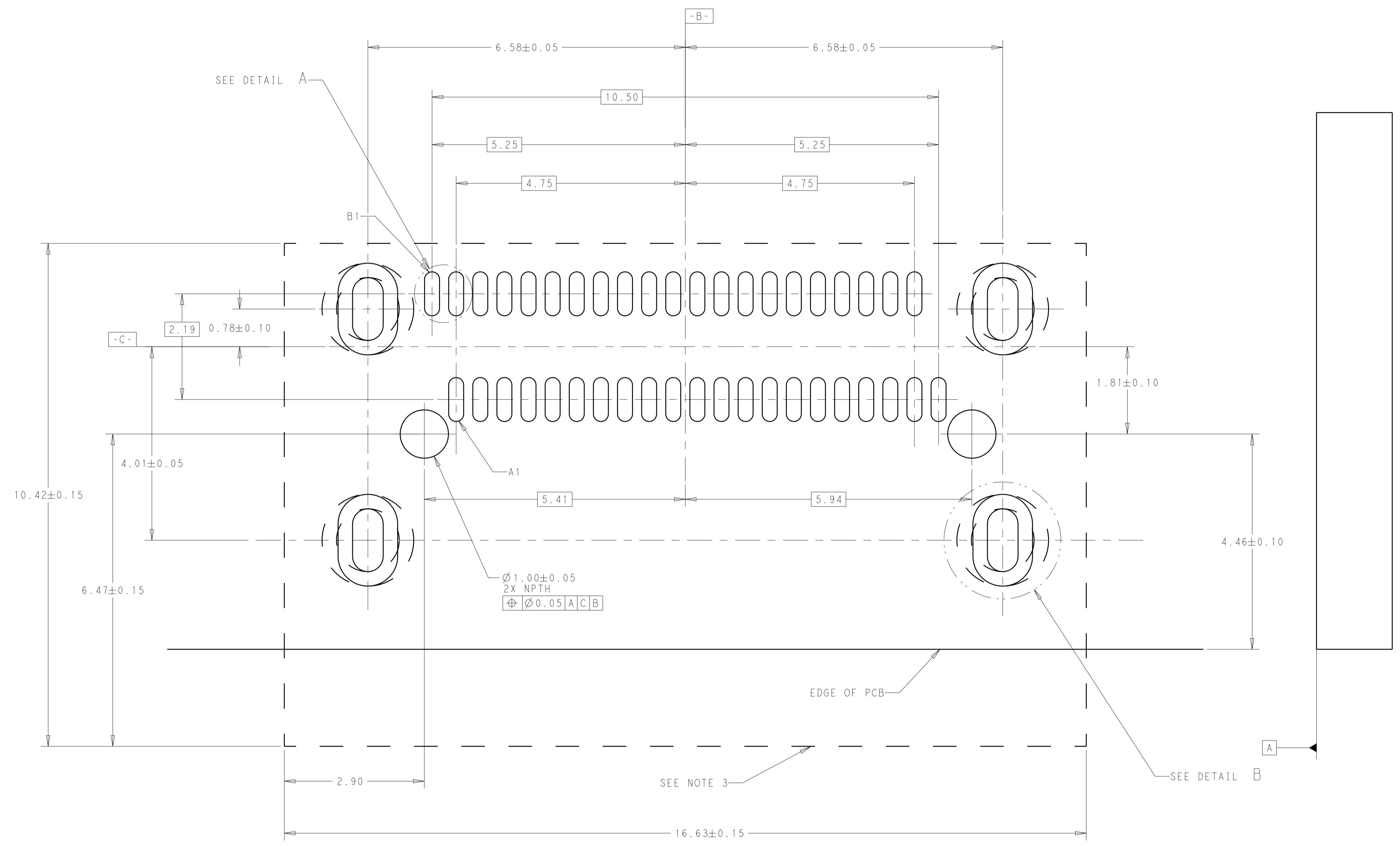
THIS DRAWING IS A CONTROLLED DOCUMENT.		OWN: LEO LI 08FEB2017	TE Connectivity
DIMENSIONS: mm		CHK: SEAN HAN 08FEB2017	
TOLERANCES UNLESS OTHERWISE SPECIFIED:		APVD: SEAN HAN 08FEB2017	
0 PLC ± 1 PLC ±0.25 2 PLC ±0.13 3 PLC ± 4 PLC ± ANGLES ±		NAME: NANO PITCH I/O FIXED RIGHT ANGLE, 4X PRODUCT SPEC: 108-60118 APPLICATION SPEC: 114-60024 WEIGHT: -	
MATERIAL: SEE NOTE	FINISH: SEE NOTE	CUSTOMER DRAWING	SIZE: A1 CAGE CODE: - DRAWING NO: 2308578 SCALE: 10:1 SHEET: 2 OF 5 REV: A

REVISIONS				
P.	LTN.	DESCRIPTION	DATE	APP'D.
-	-	SEE SHEET 1	-	-

# 42 CIRCUIT TAIL RECOMMENDED FOOTPRINT



DETAIL A  
 SCALE 50:1



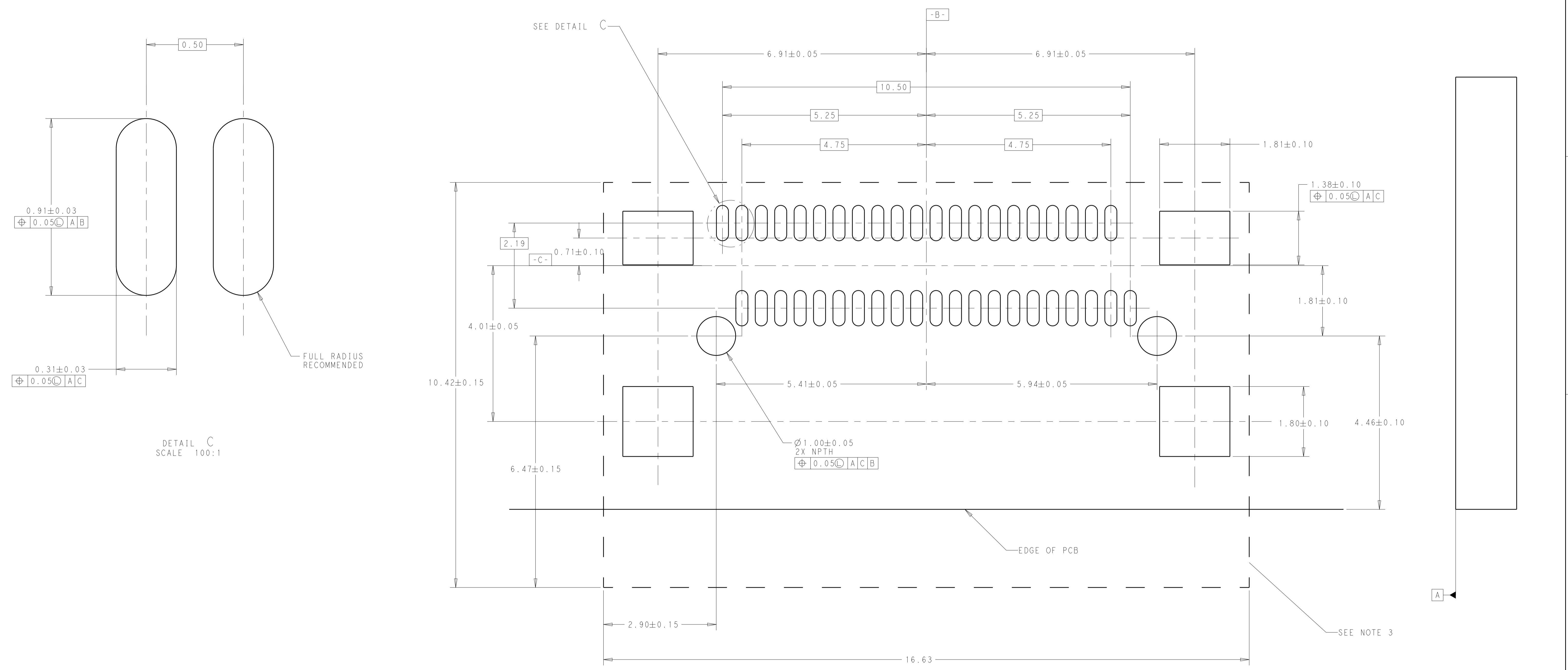
DETAIL B  
 SCALE 50:1

- NOTES:  
 1. MINIMUM RECOMMENDED SPACING IS 17.25MM.  
 2. MINIMUM RECOMMENDED PCB THICKNESS: 1.57MM.  
 3. CONNECTOR KEEP OUT AREA.  
 4. DATUM -A- ESTABLISHED FROM TOP SURFACE OF PCB.

THIS DRAWING IS A CONTROLLED DOCUMENT.		OWN: LEO LI 08FEB2017	TE Connectivity
DIMENSIONS: mm		CHK: SEAN HAN 08FEB2017	
TOLERANCES UNLESS OTHERWISE SPECIFIED:		APP'D: SEAN HAN 08FEB2017	NAME: NANO PITCH I/O FIXED RIGHT ANGLE, 4X
0 PLC ±	1 PLC ±0.25	PRODUCT SPEC	108-60118
2 PLC ±0.13	3 PLC ±	APPLICATION SPEC	114-60024
4 PLC ±	ANGLES ±	FINISH	114-60024
MATERIAL: SEE NOTE	SEE NOTE	WEIGHT: -	RESTRICTED TO: -
CUSTOMER DRAWING		SCALE: 10:1	SHEET 3 OF 5 REV A

REVISIONS				
P.	LTN	DESCRIPTION	DATE	APP'D
-	-	SEE SHEET 1	-	-

# 42 CIRCUIT SMT RECOMMENDED FOOTPRINT



DETAIL C  
SCALE 100:1

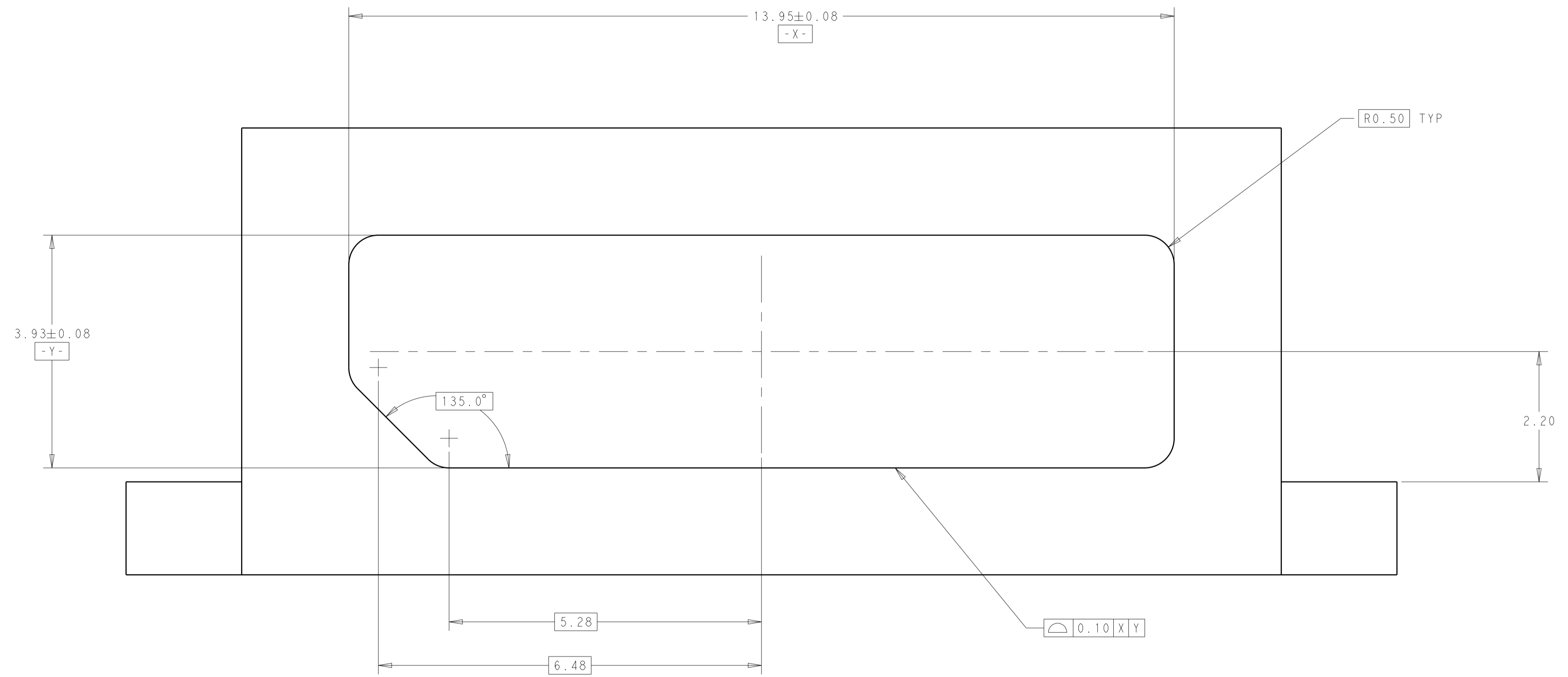
- NOTES:
1. MINIMUM RECOMMENDED SPACING IS 17.25MM.
  2. MINIMUM RECOMMENDED PCB THICKNESS: 1.57MM
  3. CONNECTOR KEEP OUT AREA.
  4. DATUM -A- ESTABLISHED FROM TOP SURFACE OF PCB.


THIS DRAWING IS A CONTROLLED DOCUMENT.		OWN: LEO LI 08FEB2017	 TE Connectivity
DIMENSIONS: mm		CHK: SEAN HAN 08FEB2017	
TOLERANCES UNLESS OTHERWISE SPECIFIED: 0 PLC ±0.25 1 PLC ±0.13 2 PLC ±0.13 3 PLC ±0.13 4 PLC ±0.13 ANGLES ±0.13		APVD: SEAN HAN 08FEB2017	NAME: NANO PITCH I/O FIXED RIGHT ANGLE, 4X
MATERIAL: SEE NOTE		PRODUCT SPEC: 108-60118	SIZE: A1
FINISH: SEE NOTE		APPLICATION SPEC: 114-60024	CAGE CODE: -
CUSTOMER DRAWING		WEIGHT: -	SCALE: 10:1
		RESTRICTED TO: -	SHEET: 4 OF 5
		REV: A	

THIS DRAWING IS UNPUBLISHED. RELEASED FOR PUBLICATION 20  
 © COPYRIGHT 20 BY - ALL RIGHTS RESERVED.

REVISIONS				
P.	LTN	DESCRIPTION	DATE	APVD
-	SEE SHEET 1		-	-

# 42 CIRCUIT PANEL OPENING



THIS DRAWING IS A CONTROLLED DOCUMENT.		OWN: LEO LI 08FEB2017	 TE Connectivity
DIMENSIONS: mm		CHK: SEAN HAN 08FEB2017	
TOLERANCES UNLESS OTHERWISE SPECIFIED:		APVD: SEAN HAN 08FEB2017	NAME: NANO PITCH I/O FIXED RIGHT ANGLE, 4X
0 PLC ±0.25	1 PLC ±0.13	PRODUCT SPEC: 108-60118	SIZE: A1
2 PLC ±0.13	3 PLC ±0.13	APPLICATION SPEC: 114-60024	CAGE CODE: -
4 PLC ±0.13	ANGLES ±0.13	WEIGHT: -	DRAWING NO: C=2308578
MATERIAL: SEE NOTE	FINISH: SEE NOTE	CUSTOMER DRAWING	RESTRICTED TO: -
SCALE: 10:1			SHEET 5 OF 5 REV A