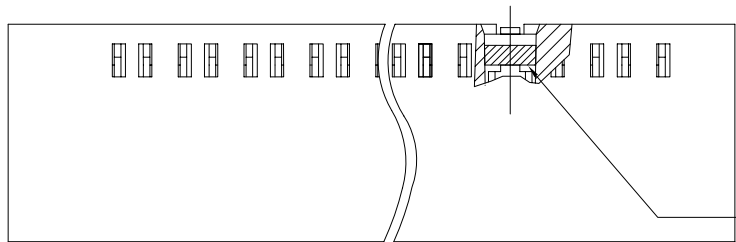
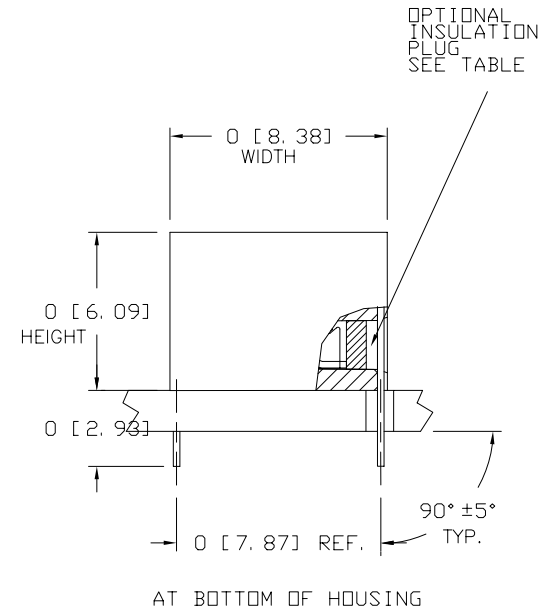
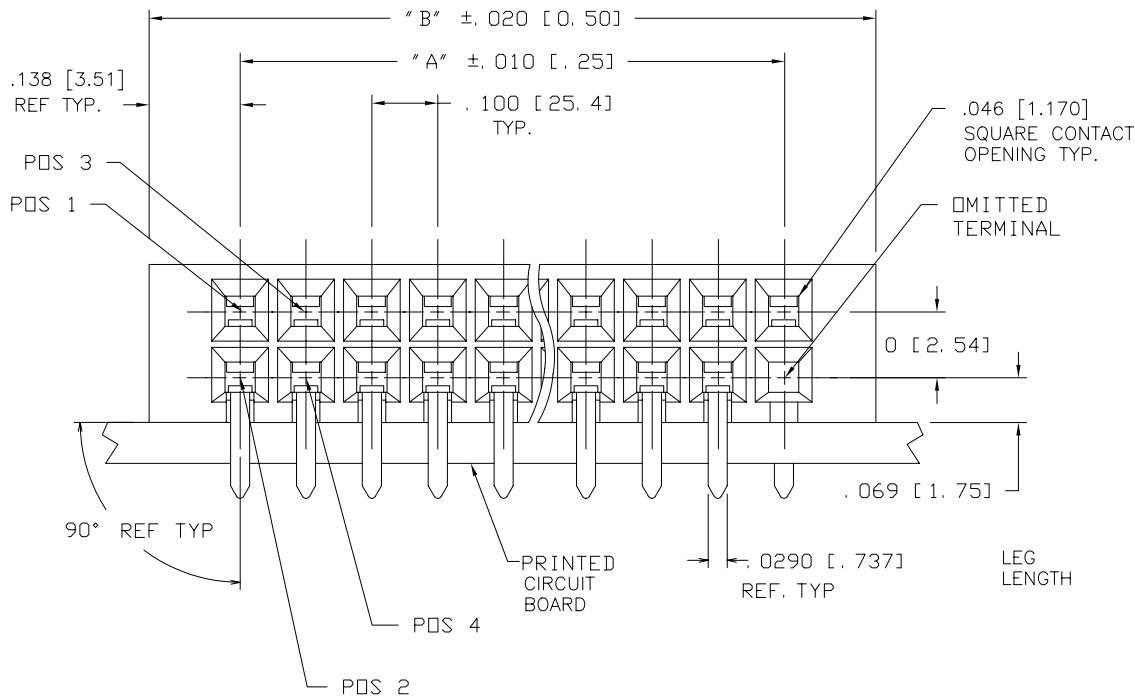


PRODUCT NO.  
SEE TABLE



LENGTH

OPTIONAL  
INSULATOIN  
PLUG



FCIconnect.com

Copyright FCI

mat'l. code				surface ISO 1302 <input checked="" type="checkbox"/>		tolerance ISO 406 ISO 1101		projection 		product family PV CARD CONN	
A v00239 DAI 1/13/00				tolerances unless otherwise specified		linear .xx ±.01/.3		INCH/MM		title QKE MATE	
B v02523 AZ 10/20/00				angles		.xxx ±.005/.13		scale 1:1		CARD CONNECTOR POL	
C v21780 CGD 11/15/02				$\sigma \pm 2^\circ$		.xxxx ±.0020/.051				dwg no sheet 1 of 3 size 60058 A3	
D M05-0181 ERE 09/05/05				dr		D. INGRAM 1/13/00		FCI		type Product Customer Drawing	
E M06-0117 M.N. 05/31/06				enr		H. SUNDY 1/13/00					
				chr		H. SUNDY 1/13/00					
				appd		H. SUNDY 1/13/00					
sheet index		revision sheet		E E		E E					
		1 2		3							

PRODUCT NO.  
SEE TABLE

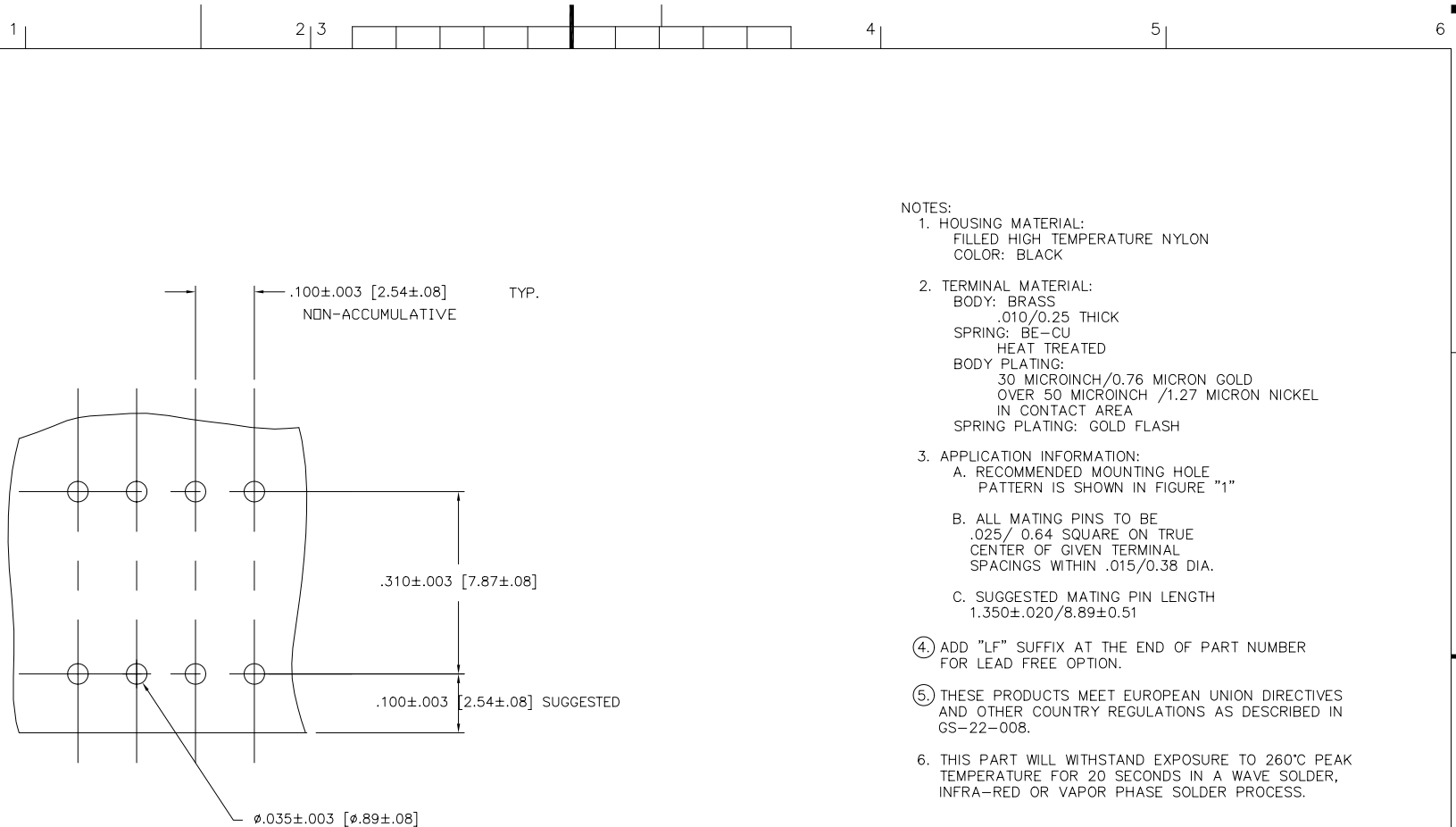


FIGURE 1  
SCALE 1:1

NOTES:

1. HOUSING MATERIAL:  
FILLED HIGH TEMPERATURE NYLON  
COLOR: BLACK
2. TERMINAL MATERIAL:  
BODY: BRASS  
.010/0.25 THICK  
SPRING: BE-CU  
HEAT TREATED  
BODY PLATING:  
30 MICROINCH/0.76 MICRON GOLD  
OVER 50 MICROINCH /1.27 MICRON NICKEL  
IN CONTACT AREA  
SPRING PLATING: GOLD FLASH
3. APPLICATION INFORMATION:  
A. RECOMMENDED MOUNTING HOLE  
PATTERN IS SHOWN IN FIGURE "1"  
  
B. ALL MATING PINS TO BE  
.025/ 0.64 SQUARE ON TRUE  
CENTER OF GIVEN TERMINAL  
SPACINGS WITHIN .015/0.38 DIA.  
  
C. SUGGESTED MATING PIN LENGTH  
1.350±.020/8.89±0.51
- ④ ADD "LF" SUFFIX AT THE END OF PART NUMBER  
FOR LEAD FREE OPTION.
- ⑤ THESE PRODUCTS MEET EUROPEAN UNION DIRECTIVES  
AND OTHER COUNTRY REGULATIONS AS DESCRIBED IN  
GS-22-008.
6. THIS PART WILL WITHSTAND EXPOSURE TO 260°C PEAK  
TEMPERATURE FOR 20 SECONDS IN A WAVE SOLDER,  
INFRA-RED OR VAPOR PHASE SOLDER PROCESS.

FCI  
FCIconnect.com

Copyright FCI

mat'l. code		surface ISO 1302 ✓		tolerance ISO 406 ISO 1101		projection ⊕		product family PV CARD CONN		
ltr	ecn	no	dr	date		tolerances unless otherwise specified		title		
E						angles	linear	INCH/MM		
						0°±2'		scale 1:1		
				dr	D. INGRAM	1/13/00			sheet 2 of 3	
				enr	H. SUNDY	1/13/00			60058	A3
				chr	H. SUNDY	1/13/00			type	Product Customer Drawing
				appd	H. SUNDY	1/13/00				
sheet index	revision sheet									

PRODUCT NO.	N. OF POS.	DIM. A $\pm 0.10$ 0.25	DIM. B $\pm 0.20$ 0.51	INSULATION PLUG	OMIT PIN #	LEAD FREE OPTION
60058-001	2X5	.400/10.16	.675/17.15	NO	10	NOTE 5



FCIconnect.com

Copyright FCI

mat'l. code		surface ISO 1302 <input checked="" type="checkbox"/>		tolerance ISO 406 ISO 1101		projection 		product family PV CARD CONN	
ltr	ecn	no	dr	date		tolerances unless otherwise specified		title	
E						angles linear .xx $\pm 0.1/3$ .xxx $\pm 0.05/13$ .xxx $\pm 0.020/051$		INCH/MM scale 1:1	
		dr		D. INGRAM		1/13/00		sheet 3 of 3 size	
		enr		H. SUNDY		1/13/00		dwg no	
		chr		H. SUNDY		1/13/00		60058 A3	
		appd		H. SUNDY		1/13/00		type Product Customer Drawing	
sheet index		revision sheet							



form: A3