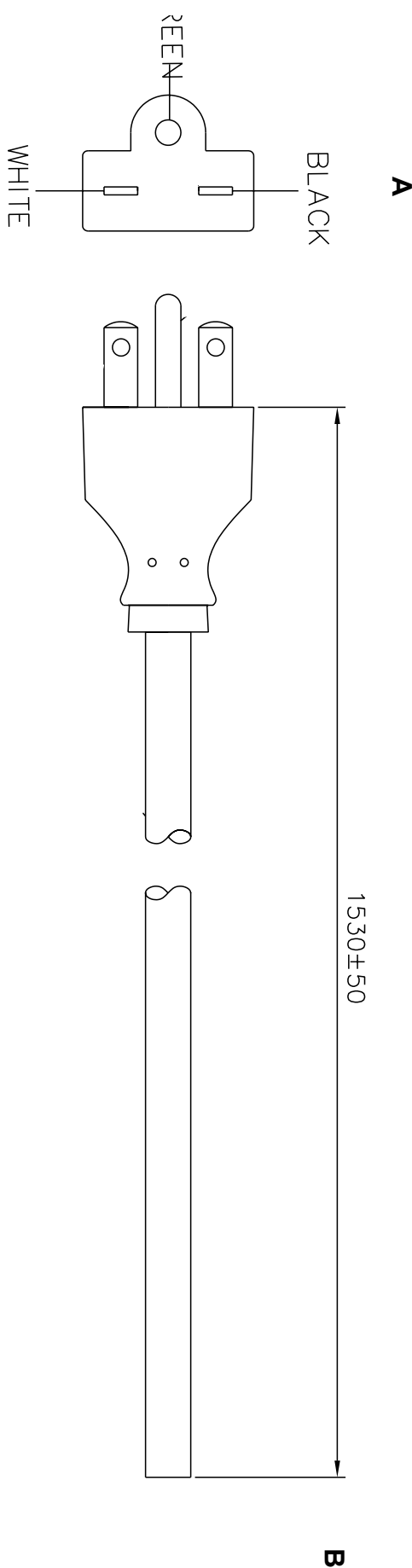


PROPRIETARY INFORMATION:		REVISION	
PROPRIETARY OF GLOBTEK, INC. ANY REPRODUCTION, DISCLOSURE OR USE OF THIS DRAWING IN WHOLE OR IN PART IS HEREBY PROHIBITED EXCEPT AS SPECIFIED IN WRITING BY GLOBTEK, INC.		REV	DESCRIPTION
A	INITIAL RELEASE, RFS 4276, FS	DATE	APPROVED
B	REVISE DRAWING, RFS 4359, DMIR	08/12/04	BS
		09/20/04	BD



GENERAL SPECIFICATIONS:

- RATING: 15A / 250V AC
- CABLE TYPE / SIZE: SJT0, # 14 AWG, 3 CONDUCTOR
- TEMPERATURE RATING: 105° C
- CONDUCTOR COLORS: BLACK / WHITE / GREEN
- CABLE JACKET COLOR: BLACK
- OVERALL LENGTH (L): 1525 ± 50 MM (5 FT)
- CABLE OUTER DIAMETER: 9.3 ± 0.15 MM
- END 'A' PLUG: NEMA 6-15P
- END 'B' CUT BLUNT
- APPROVALS PLUG: UL, CSA OR cUL
- APPROVALS CABLE: UL, CSA OR cUL

PACKING:

BULK PACKED, BUNDLES OF 25.
 MAXIMUM SHIPPING CARTON WEIGHT IS 30 KG.

NOTES:

1. CORD AND PLUG MUST BE MARKED WITH APPROVAL SYMBOLS AND/OR FILE NUMBERS.



DASH NO.	PART NO	REV.	DESCRIPTION	NOTES
TABULATION BLOCK				

REV. B						TOLERANCES:			
SHEET 1						DECIMALS ANGULAR .xx +/- .01 .xxx +/- .005 MILLIMETERS ANGULAR .xx +/- .03 .xxx +/- .013	SIZE A		
INTTBY: FS	DATE: 08/12/04					FSCN No.: G, CC			
DRAWN: NF	DATE: 08/12/04					SCALE: NONE			
APRVD: DMR	DATE: 08/12/04					PART NO: 3611325T0BBB			

GlobTek, Inc.
www.globtek.com
 186 Veterans Dr. Northvale, NJ 07647
 Tel 201-784-1000 Fax 201-784-0111

Foot Note: Globtek Inc. will not be liable for the safety and performance of these power product if unauthorized access and repair occurs. End user should consult the applicable UL, CSA or EN Standards for proper installation instruction.

Limitation of Use: Globtek product are not authorized for use as mission critical components in life support, hazardous environment, nuclear or aircraft applications without prior written approval from the CEO of Globtek Inc.

Contents of this document are subject to change without prior notice