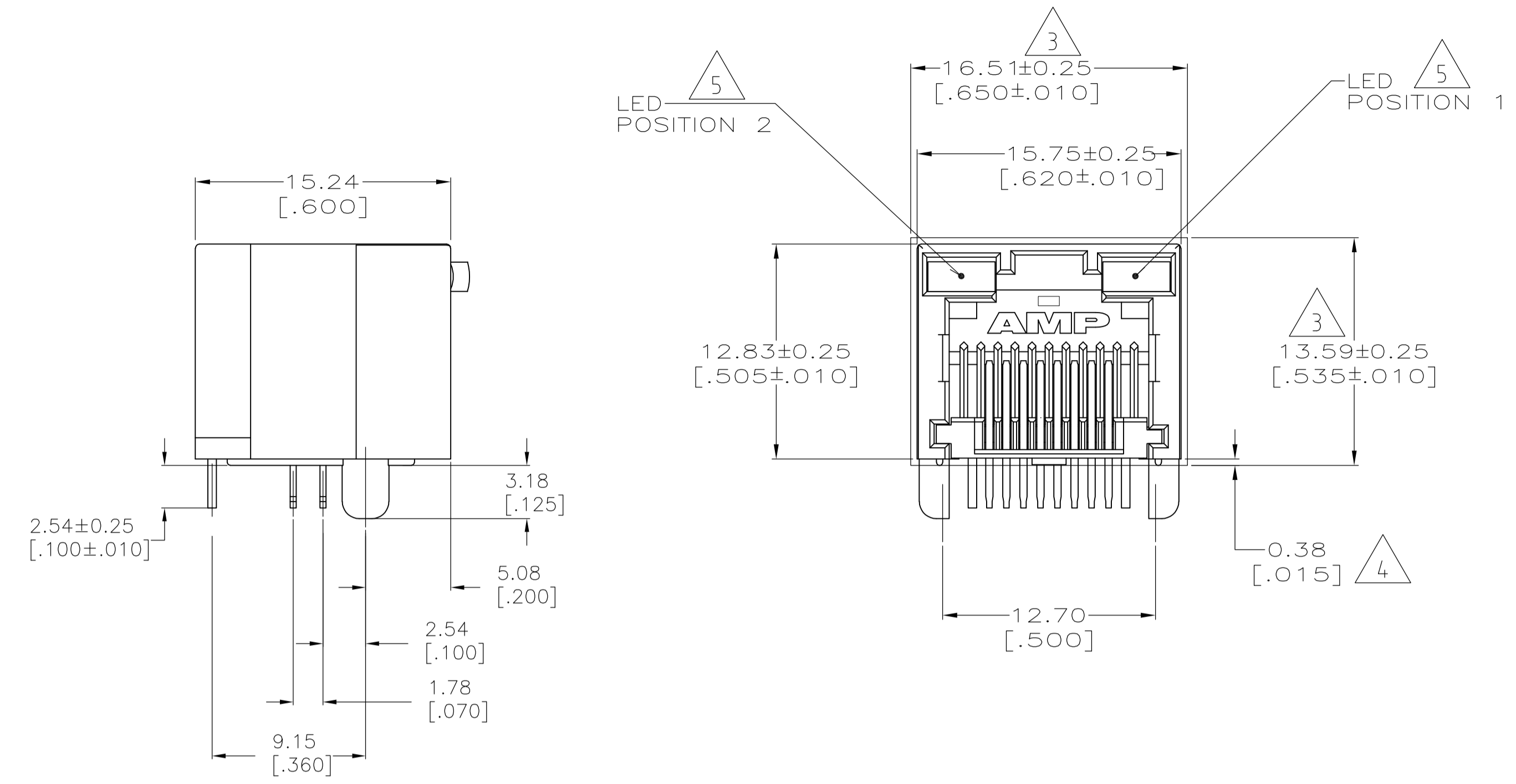
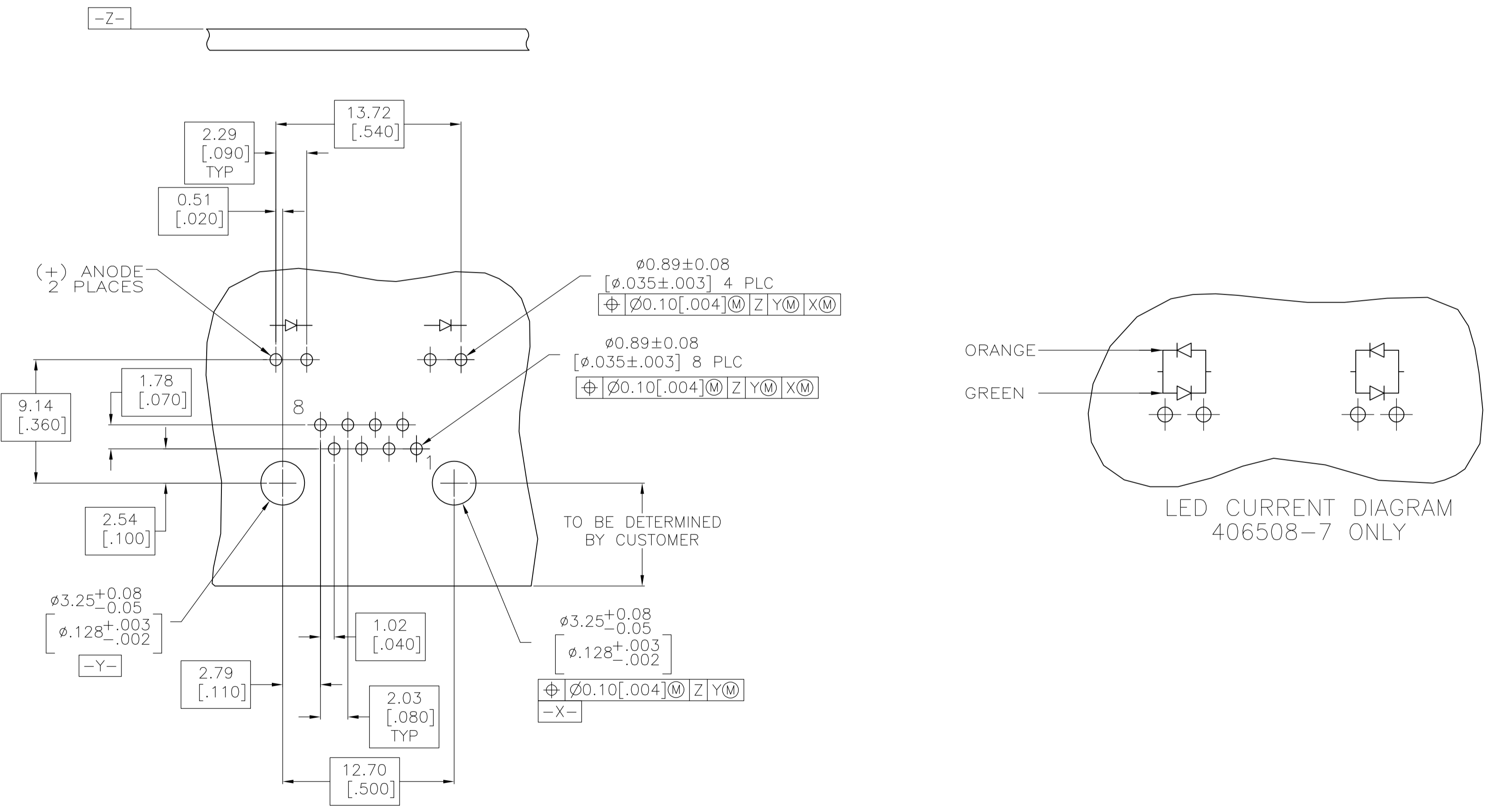


LOC		DIST		REVISIONS			
P	LTR	DESCRIPTION	DATE	DNW	APVD		
C		ECO-07-022131	03NOV07	LAM	JW		
C1		REVISED PER ECO-09-021510	11SEP09	KK	AEG		



- MATERIAL:
 HOUSING - HIGH TEMPERATURE THERMOPLASTIC, BLACK, UL94V-0.
 TERMINALS - 0.36[.014] THICK PHOS BRONZE PLATED WITH 3.81µm[.000150] MINIMUM THICK BRIGHT TIN LEAD IN SOLDER AREA. 1.27µm [.000050] MINIMUM GOLD IN LOCALIZED PLATE AREA. ENTIRE TERMINAL PLATED WITH 1.27µm [.000050] MINIMUM THICK NICKEL.
 LIGHT EMITTING DIODE (LED) - DIFFUSED EPOXY LENS, 0.51 x 0.51[.020 x .020] CARBON STEEL WIREFRAME LEADS PLATED WITH 8.89µm[.000350] TIN/COPPER OVER 2.03µm[.000080] SILVER OVER 1.02µm[.000040] NICKEL UNDERPLATE OVER 2.03µm[.000080] COPPER UNDERPLATE.
 - JACK CAVITY CONFORMS TO FCC RULES AND REGULATIONS PART 68, SUBPART F.
- ⚠ SUGGESTED PANEL OPENING DIMENSIONS.
 ⚠ SUGGESTED CLEARANCE BETWEEN BOTTOM OF CONNECTOR AND BOTTOM PANEL OPENING.
 ⚠ SEE TABLE FOR COLOR OF LEDS AND NUMBER REQUIRED.
 6. THIS MODULAR JACK WITH INTEGRATED LED IS NOT IR REFLOW SOLDERING PROCESS COMPATIBLE.
 ⚠ OBSOLETE PARTS: OBSOLETE CIS STREAMLINING PER D.RENAUD/D.SINISI



7	OBSOLETE	INDICATOR COLOR		PART NUMBER
		ORANGE/GREEN	ORANGE/GREEN	
		ORANGE/GREEN	ORANGE/GREEN	406508-7
		YELLOW	YELLOW	406508-6
		GREEN	GREEN	406508-5
7	SUPERSEDED	GREEN	YELLOW	406508-4
		YELLOW	-	406508-3
		-	GREEN	406508-2
		YELLOW	GREEN	406508-1
		POSITION 2	POSITION 1	

THIS DRAWING IS A CONTROLLED DOCUMENT.

DIMENSIONS: mm [INCHES]	TOLERANCES UNLESS OTHERWISE SPECIFIED:	DIN T SPRINKLE 17SEP97	CHK T SPRINKLE 17SEP97	APVD M DERSTINE 17SEP97	NAME	Tyco Electronics Corporation Harrisburg, PA 17105-3608
	0 PLC ± - 1 PLC ± - 2 PLC ± 0.25[.01] 3 PLC ± 0.13[.005] 4 PLC ± - ANGLES ± -	PRODUCT SPEC	108-1163-4	APPLICATION SPEC	114-2154	SIZE CAGE CODE DRAWING NO
MATERIAL SEE NOTE 1	FINISH SEE NOTE 1	WEIGHT		A1 00779	C=406508	RESTRICTED TO
CUSTOMER DRAWING		SCALE	4:1	SHEET	1 OF 1	REV