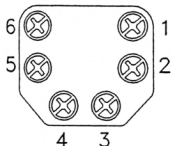


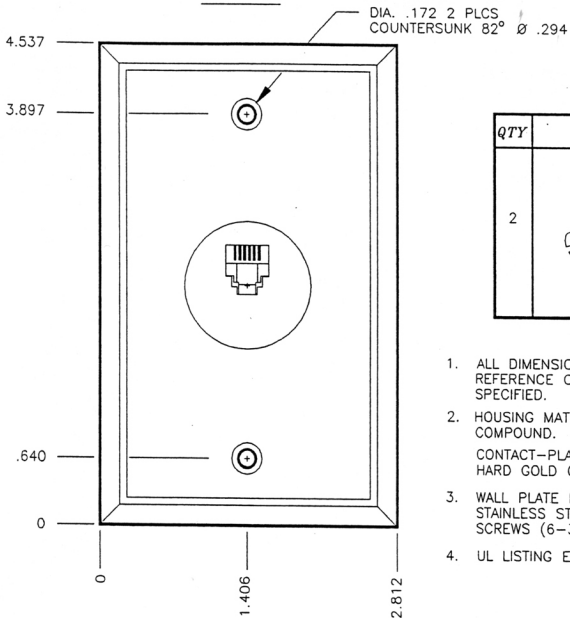
BACK VIEW



COLOR CODE

1	WHITE
2	BLACK
3	RED
4	GREEN
5	YELLOW
6	BLUE

FRONT VIEW



QTY	MATERIAL
2	

- ALL DIMENSIONS SHOWN ARE FOR REFERENCE ONLY UNLESS OTHERWISE SPECIFIED.
- HOUSING MATERIAL: ABS MOLDING COMPOUND.
CONTACT-PLANTING: 15 μ MINIMUM HARD GOLD OVER NICKEL.
- WALL PLATE FURNISHED WITH TWO, STAINLESS STEEL, PHILLIPS, OVAL HEAD SCREWS (6-32 X 0.875).
- UL LISTING E136760



DESCRIPTION: SINGLE FLUSH MOUNT WALL PLATE 6P6C JACK

APRVD BY:

DWG. NO. D.S. 1119

REV.

DWG.BY: HAI NGUYEN

COLOR: LIGHT ASH

DATE: 05/17/93

MATERIAL:

SCALE: 1

PART NO. : **AMK-0061**

SHEET 1 OF 1