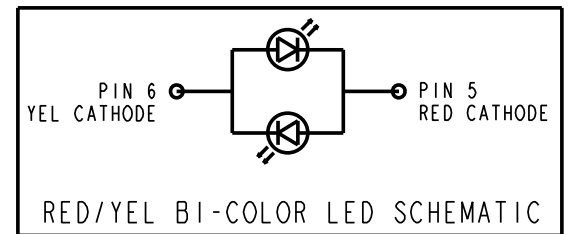
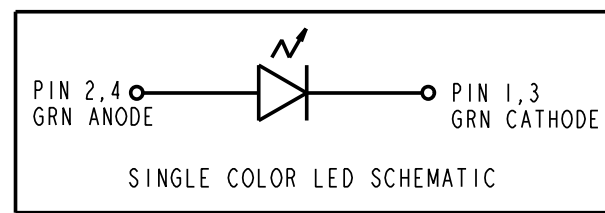
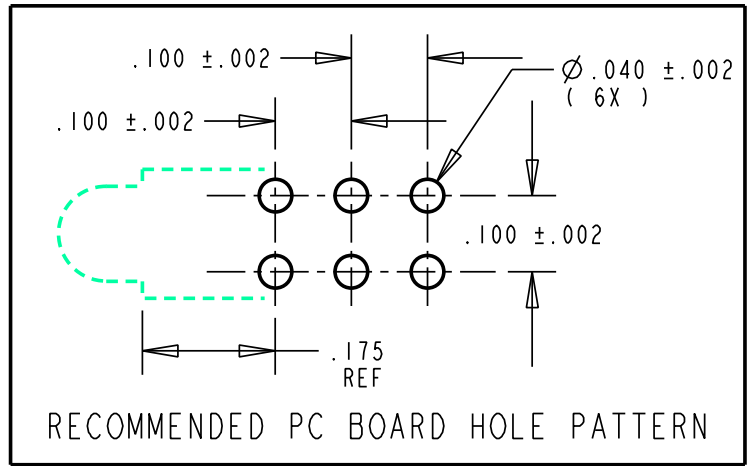
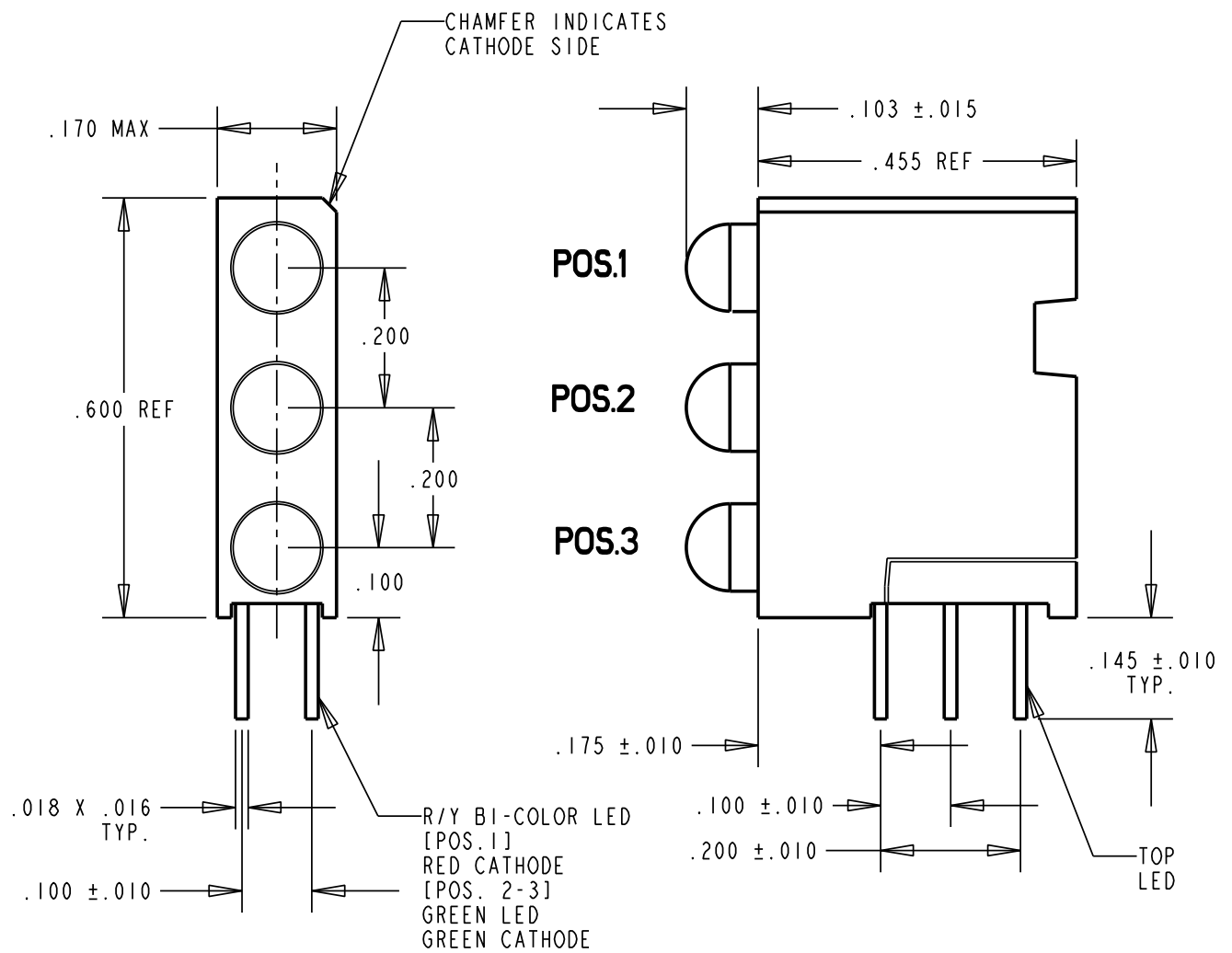
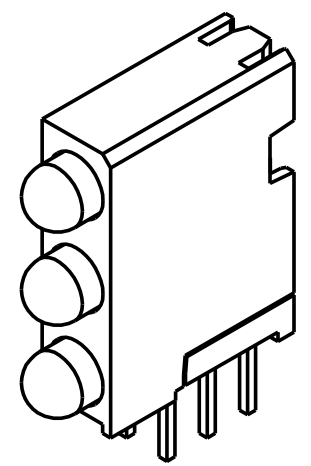


PART NUMBER and LEGEND	LED COLOR		
	POSITION 1	POSITION 2	POSITION 3
564-0700-822F	RED / YELLOW	GREEN DIFFUSED	GREEN DIFFUSED



REV	ECN NO	REVISIONS	DRN	CKD	APP	DATE
A		NEW RELEASE	TC			



NOTES:

- LEADS TO FIT INTO HOLES SPACED AS PER HOLE PATTERN
- PIN NUMBERS FOR REFERENCE ONLY, DESIGNATION NON-EXISTENT ON PARTS.
- LEADS TO BE FREE OF DEFORMATION AFTER BENDING AND CUTTING
- LED LEAD DIMENSIONS SHOWN ARE MEASURED AT HOUSING EXIT
- DIALIGHT PART NUMBER: 564-0700-822F
- THIS ASSEMBLY CONTAINS ELECTROSTATIC DISCHARGE SENSITIVE DEVICES (ESDS). MAINTAIN ALL PRECAUTIONARY MEASURES DURING ASSEMBLY, HANDLING AND STORAGE IN ACCORDANCE WITH IPC-A-610.



**ATTENTION:**  
OBSERVE PRECAUTIONS FOR  
HANDLING ELECTROSTATIC  
SENSITIVE DEVICES

OPERATING CHARACTERISTICS AT T<sub>A</sub> = 25°C

SYMBOL	PARAMETER	COLOR	MIN	TYP	MAX	UNITS	TEST COND.
V <sub>F</sub>	FORWARD VOLTAGE	GREEN		2.1	2.8	V	I <sub>F</sub> = 20 mA
		RED		2.0	2.8		
		YELLOW		2.1	2.8		
I <sub>R</sub>	REVERSE CURRENT	GREEN			100	μA	V <sub>R</sub> = 5 V
		RED					
		YELLOW					
λ <sub>PEAK</sub>	PEAK WAVELENGTH	GREEN		565		nm	MEASURED AT PEAK
		RED		630			
		YELLOW		585			
I <sub>V</sub>	LUMINOUS INTENSITY	GREEN	4.7	12.6		mcd	I <sub>F</sub> = 10 mA
		RED	1.7	5.6			
		YELLOW	1.7	5.6			
2θ <sub>1/2</sub>	VIEWING ANGLE	GREEN		60		(°) deg.	
		RED					
		YELLOW		80			

ABSOLUTE MAXIMUM RATINGS AT 25°C

	GREEN	RED	YELLOW	UNITS
POWER DISSIPATION	100	100	60	mW
DERATE LINEARLY FROM 50°C	0.4	0.4	0.25	mW/°C
CONTINUOUS FORWARD CURRENT	30	30	20	mA
PEAK FORWARD CURRENT	120	120	80	mA
REVERSE VOLTAGE	5	5	5	V
LEAD SOLDERING TEMPERATURE, 5 SEC., 1/16" FROM BODY	260			°C
OPERATING AND STORAGE TEMPERATURE	-55 TO +100			°C

RoHS Compliant 564-0700-822F  
Part Numbers with the "F" suffix ending are RoHS Compliant.  
Packaging is marked with "RoHS Compliant" label or equivalent markings.  
Parts can be wave soldered, dip soldered or hand soldered using typical lead-free soldering process with max 260°C temp. for 5 sec.

THIS DRAWING AND THE CONTENTS HEREIN ARE CONFIDENTIAL AND THE SOLE PROPERTY OF DIALIGHT. REPRODUCTION OF THIS DRAWING OR CONSTRUCTION OF ANY PARTS WITHIN THIS DRAWING ARE FORBIDDEN WITHOUT THE WRITTEN CONSENT OF DIALIGHT.		
SCALE: DRAWING SCALE ALL DIM'S IN: INCHES (MM)	DRAWING NUMBER C-17469	REV A
TOLERANCES: UNLESS OTHERWISE SPECIFIED FRACTIONS: ±1/64 DECIMALS (.XX): ±.01 DECIMALS (.XXX): ±.005 DECIMALS (.XXXX): ±.0005 ANGLES: ±1°	TITLE 3mm TRI-LEVEL R/Y,G,G RoHS COMPLIANT	
FINISH:	MATERIAL	
FSCM 83330	Dialight 1501 ROUTE 34 SOUTH FARMINGDALE, NJ 07727	
SHEET 1 OF 1 FAMILY TABLE:		